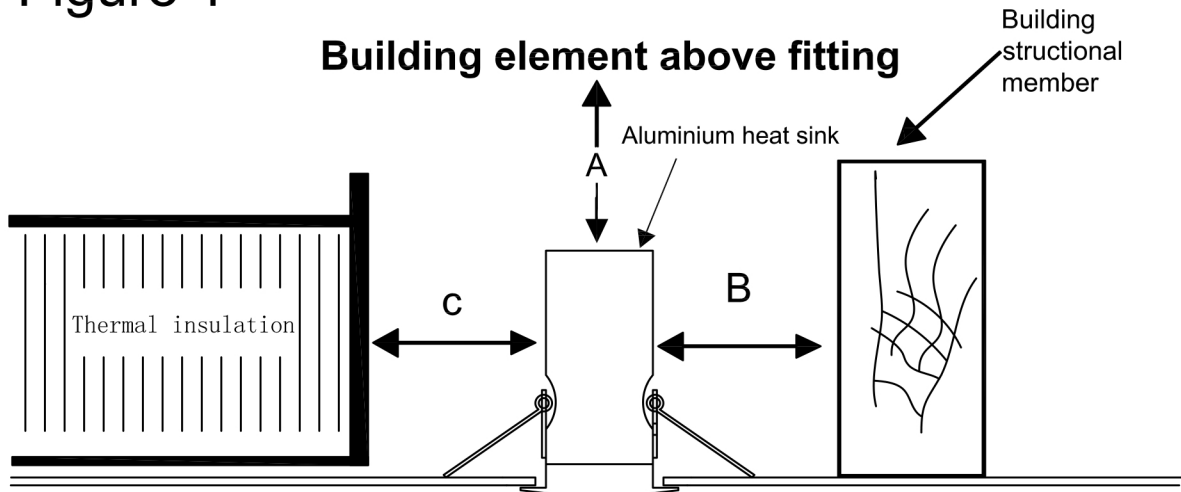


LED BLAZE MICRO DOWNLIGHT

Figure 1



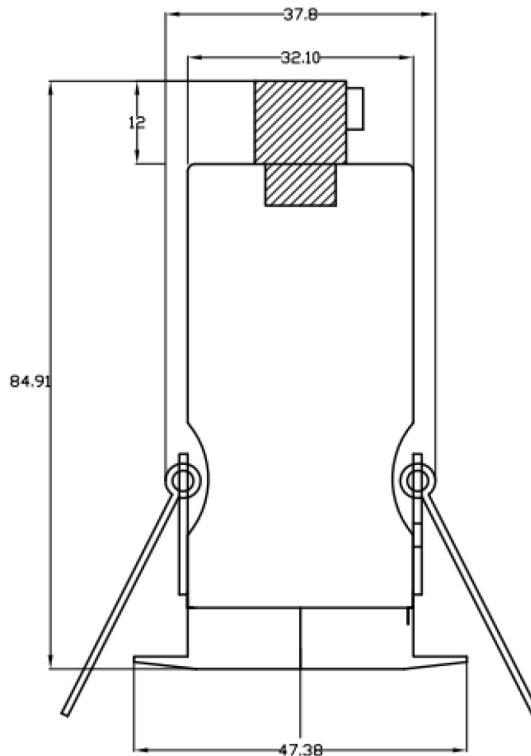
Cut out dimension Min 38.1mm
for DL501

Table 1

Dimension	
A-clearance above the top of heat sink	50 mm
B-side clearance to structural member	50 mm
C-clearance to thermal insulation	50 mm

White code - FIRE BLAZE DL501
 Chrome code - FIRE BLAZE DL502
 Nickel - FIRE BLAZE DL505

- Fire Rated - Part B
- Complies with October 2010 Part L regulations
- Soundproof - Part E
- Waterproof, double insulated, IP64 - Part P
- Beam Angle 35°
- Cree LED



Cut out dimension : Min 38.1mm