

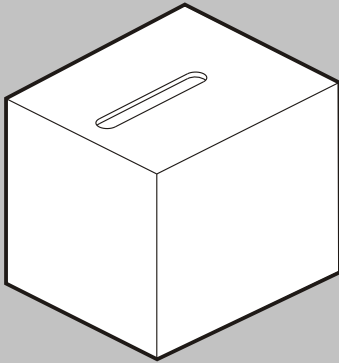
Installation Instruction

Cubetto

Surface Mounted Lighting

Art.

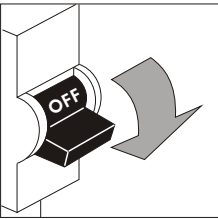
1030
1031
1032
1033
1034



Lamp Not Included

CAUTIONS

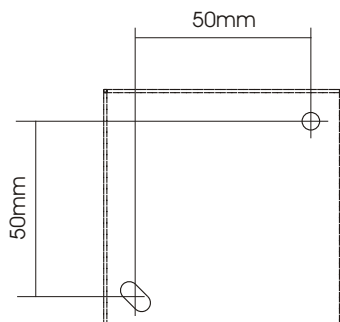
1. Switch-off the power supply before any installation and maintenance operations.



2. Installation should be carried out by a suitably qualified person in accordance with good electrical practice and the appropriate national wiring regulations.
3. Use this light fixture at the rated voltage and frequency as indicated on the specification table.

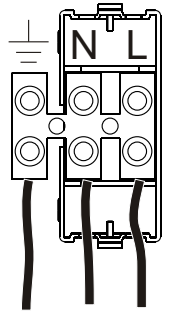
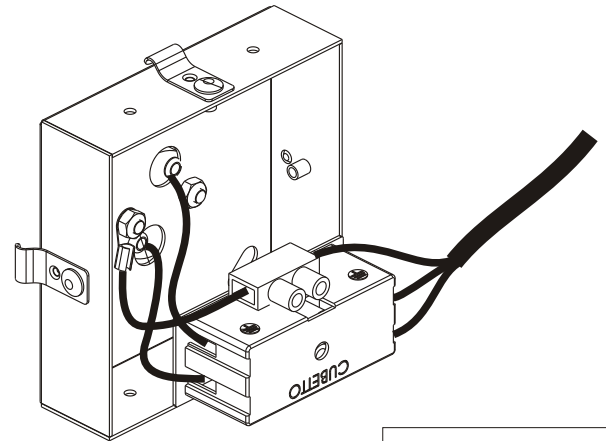
INSTALLATION

1

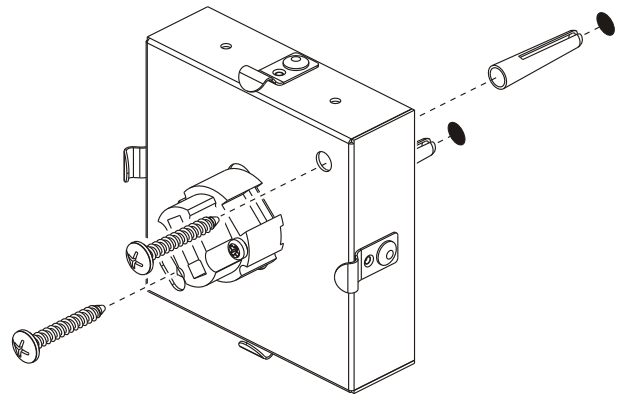


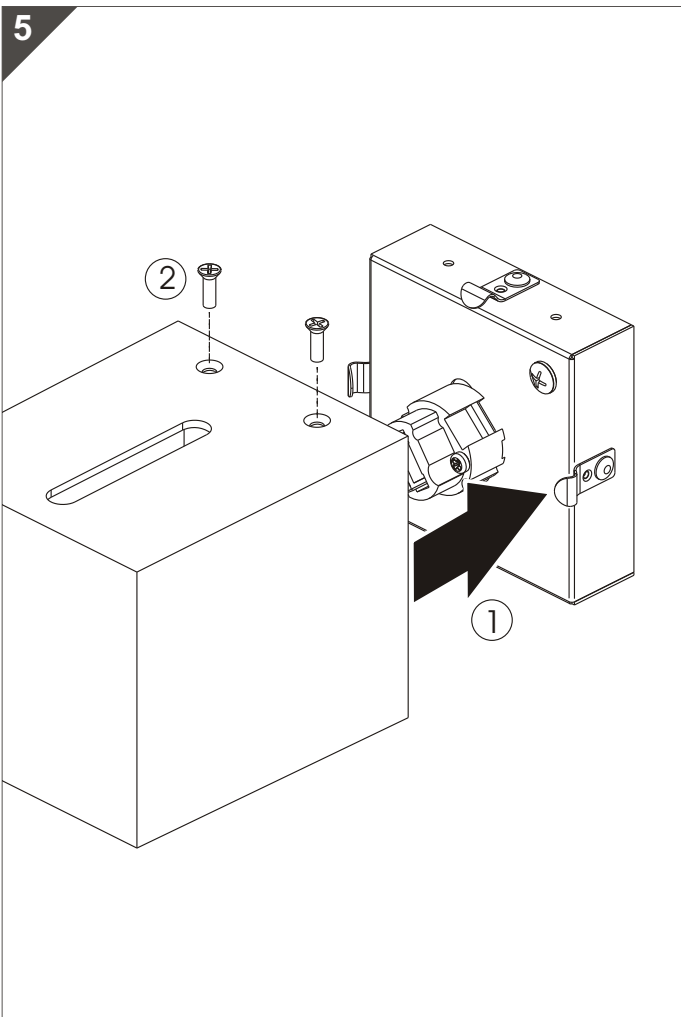
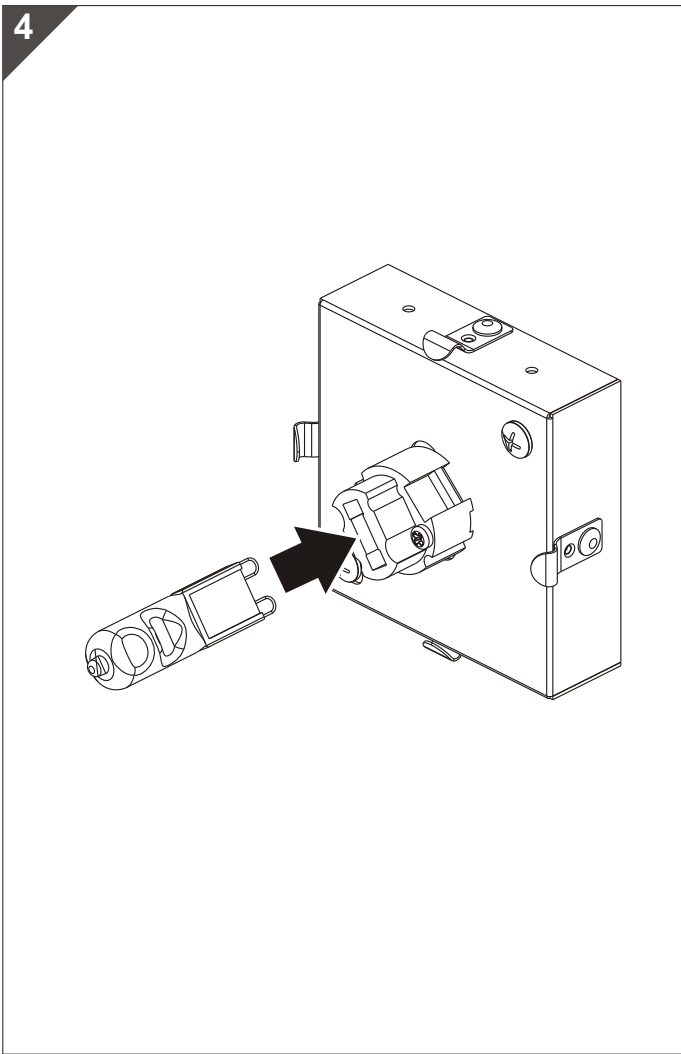
Make holes on wall.

2



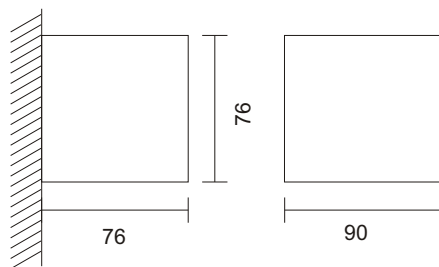
3





MEASUREMENT

Dimension in mm



SPECIFICATION

	Max. Wattage(W)	Volt.(V) /f(Hz)	Lamp	Remarks
1030	40	230	G9	2 Slot
1031	40	230	G9	4 Slot
1032	40	230	G9	1 Slot & 1 Glass Diffuser
1033	40	230	G9	1 Glass Diffuser
1034	40	230	G9	2 Glass Diffuser

RoHS