

DIGITAL RADIO CONTROL SYSTEM

UK

ATTENTION!

The subject appliance must be installed only by qualified technical personnel in compliance with the standards. All connections must be rated for a single-phase power supply of 230V. For the disconnection from the power line, use an all-pole switch with contact with an opening of at least 3,5mm. Only suitable materials for the connections must be used to guarantee insulation that complies with current standards on the subject of electrical safety. The programmer carries out movement commands by radio; all the necessary safety devices are to be seen to separately.

The device's signal reception could be disturbed by several factors such as:

- the presence of electrical frequency noise being transmitted by other appliances working in the same environment and on the same frequency.
- appliances installed in containers with metal parts; only use containers made of plastic.

1- GENERAL DESCRIPTION

Electronic device for the remote control of tubular motors for rolling shutters with mechanical and electrical travel limits incorporated in the motor. Input for dynamic push button with Open-Stop-Close function. Execution with ABS V0 plastic container to be integrated inside electric junction boxes. Single or centralised commands for the simultaneous control of several appliances. The work cycle time is fixed at 90 sec. The specific TVLINK codes are encoded directly by the manufacturer inside an EEprom memory module that maintains the information even in case of blackouts. They are also printed on the product label so they can be inserted into the TVLINK device. These codes cannot be cancelled or modified as they are an integral part of the receiver.

The standard radio control codes can be inserted (memorized) or cancelled in the receiver by pressing a button (P1) through a small hole located to one side of the aerial.

The code transmission type is "Rolling-code". The code is changed for every transmission through the use of an algorithm that only the receiver is able to recognize.

The maximum number of memorization that can be executed is 83.

2- Transmitters

The transmitters are encoded in the factory and each transmitter has its own unique code.

Caution! If you keep a channel button pressed down for more than 30 seconds the transmitter will automatically switch off.

The receiver is compatible with all transmitters of the TVLink range: TVTXV, TVTXP, TVTXC, TVTXK, TVTXQ, TVTXL, TVTXS.

3- Memorization

ATTENTION: The first transmitter can only be memorized using the receiver (you are advised to cancel the entire memory content at the beginning of each installation by pressing the P1 button).

Each time you start a new installation you should cancel the entire memory.

3.1- Memorization of one transmitter push-button with 'Open' function

The push-button will be memorised with 'open' function.

1- Press **once** and hold down the push-button P1 of the receiver, the buzzer will sound continuously.

2- Press the push-button which is to be memorized, once the channel is memorised, the buzzer will sound intermittently, release the push-button.

3.2- Memorization of one transmitter push-button with 'Close' function

The push-button will be memorised with 'close' function.

1- Press **twice** and hold down the push-button P1 of the receiver, the buzzer will sound continuously.

2- Press the push-button which is to be memorized, once the channel is memorised, the buzzer will sound intermittently, release the push-button.

3.3- Memorization of one transmitter push-button with 'Stop' function

The push-button will be memorised with 'stop' function.

1- Press **three times** and hold down the push-button P1 of the receiver, the buzzer will sound continuously.

2- Press the push-button which is to be memorized, once the channel is memorised, the buzzer will sound intermittently, release the push-button.

3.4- Memorization of one transmitter push-button with 'dynamic' function

The push-button will be memorised with 'dynamic' function Open-Stop-Close.

1- Press **four times** and hold down the push-button P1 of the receiver, the buzzer will sound continuously.

2- Press the push-button which is to be memorized, once the channel is memorised, the buzzer will sound intermittently, release the push-button.

4- How to insert a transmitter via radio without having to access the receiver by means of an already memorized transmitter (memory indexing procedure)

The type of memorization of the channels depends on how the channel, which is used in point 2, has been memorized.

- 1) Press the button P3 located inside the already memorized transmitter. The receiver sound continuously for 5 seconds.
 - 2) press a channel present in the memory of the receiver, in which the new code is to be memorized, within 5 seconds and the buzzer will interrupt the sound for 1 sec, and then carry on for another 5 seconds.
 - 3) press one of the couple of channel which is to be memorized within 5 seconds and once memorized the buzzer will sound intermittently.
- To insert other couple of channels repeat operations 1,2 and 3

5- To cancel a channel from the receiver:

- 1) Press **five times** and then hold down the button P1 and the buzzer will sound intermittently and slowly.
 - 2) press the channel which is to be cancelled, once the channel has been cancelled the buzzer will stop sounding.
- To cancel other couple of channels repeat operations 1 and 2.

5.1- To cancel a channel from via radio:

- 1) Press three times and hold down the button P3 within 5 seconds and the buzzer will sound intermittently and slowly.
- 2) press the channel which is to be cancelled, once the channel has been cancelled the buzzer will stop sounding. To cancel other couple of channels repeat operations 1 and 2.

5.2- To cancel all codes in memory:

- 1) Press the button P1 **six times** and hold down for at least 10 seconds (during this period the buzzer will sound intermittently and rapidly) until the buzzer will sound continuously. Release the button.

6- Full or empty memory

If the memory of the receiver is full, the buzzer will make 3 bip during the memorization.

6.1- Errors during the memorising or deleting

If the code hasn't been memorised it could be due to the following reasons:

- the memory is full. In this case the buzzer will sound intermittently and slowly for 3 seconds each time it is switched on,
- the indexing procedure has not been correctly started up,
- the code already exists in memory.

If the code hasn't been cancelled it could be due to the following reasons:

- the code doesn't exist in memory.

7- TECHNICAL SPECIFICATIONS

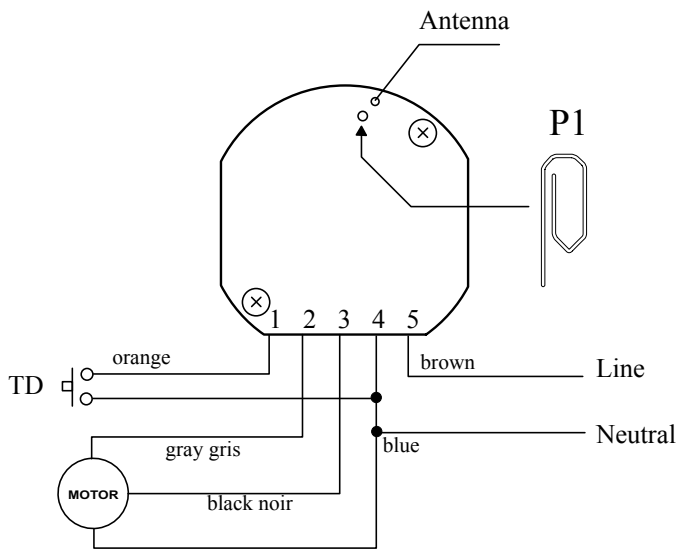
Reception frequency	868.3 MHz
Intermediate frequency	10.7MHz
Sensitivity (finely tuned signal)	1 μ V
Power supply	230 V

Maximum commutable power at the relay:

Voltage	250V
Current with cos ph1 (with resistive load)	5A
Current with cos ph0,4 (with inductive load)	2A
Operating temperature range	-20° ÷ + 60 °C

In the view of a constant development of their products, the manufacturer reserves the right for changing technical data and features without prior notice.

Code Number:		Model number		Date
WISE BLINDS				23/06/11



- 1- input TD push-button
- 2- closing command
- 3- opening command
- 4- common, Power supply neutral
- 5- Power supply live

ZONA COLLEGAMENTO
ELETTRICO
AREA FOR ELECTRICAL
CONNECTION

SCATOLA DI DERIVAZIONE
EMBEDDED ELECTRICAL BOX

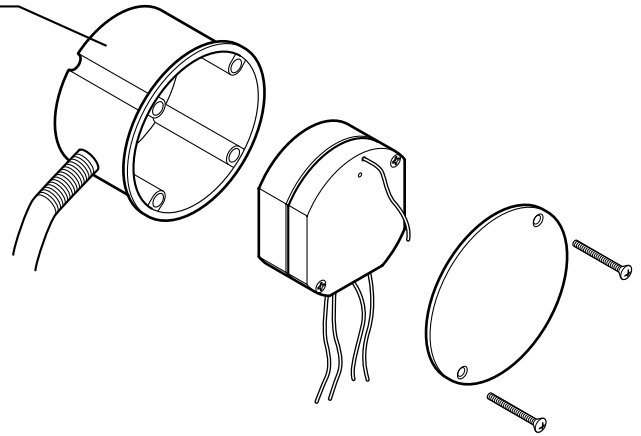
COPERCHIO SCATOLA
DI DERIVAZIONE
PLASTIC LID FOR
EMBEDDED ELECTRICAL

ANTENNA
WIRE

RECEIVER

PASSAGGIO
CAVI
ELECTRICAL
CABLES

MURO
WALL



TRANSMITTERS

