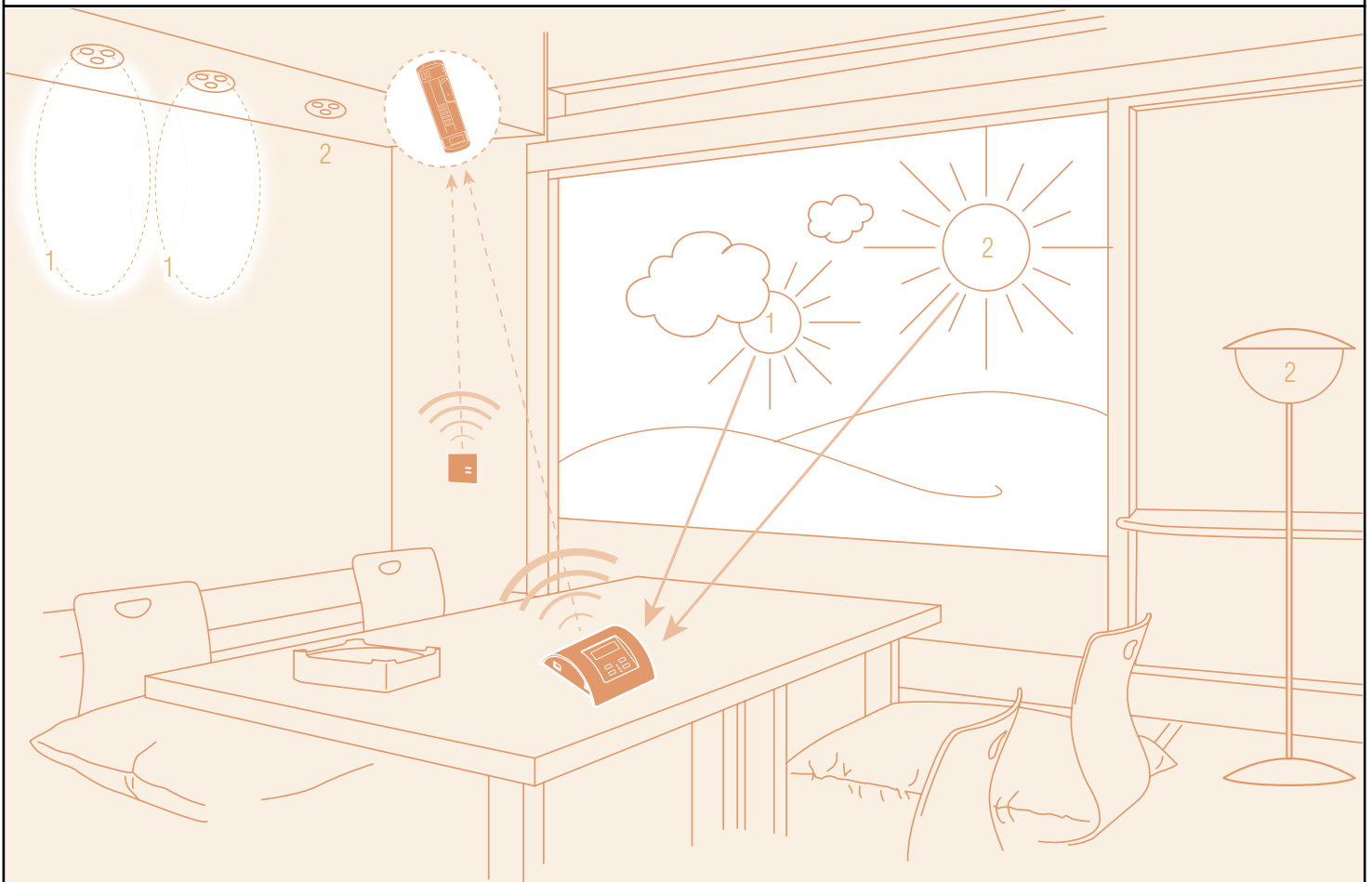


EN WALL/TABLE RADIO TRANSMITTER WITH INTEGRATED LIGHT SENSOR

GREEN MOUSE ON/OFF

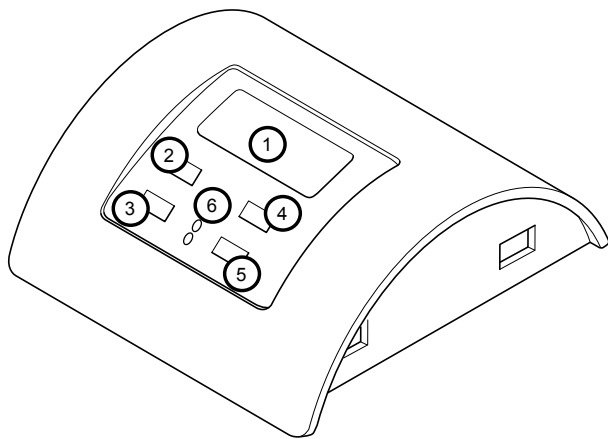
Smart lighting in any location: Green Mouse automatically adjust the light intensity according to the variation of the natural light, keeping the preset level constant through the single or group command of **ON/OFF receivers**.



Characteristics

- Easy and immediate configuration.
- Adjustment of the light threshold.
- Control of the light in the desired location.
- Adjustable time of light control.
- Possibility to activate/deactivate the control at any moment.

1 - Product description



- 1 - Light sensor
- 2 - **ON** command
- 3 - **OFF** command
- 4 - Memorization of the light level
- 5 - Activation/deactivation automatic light control
- 6 - Signal and programming LED (red, blue)

2 - Memorization

For its proper functioning, Green Mouse transmitter must be memorized in the controlled receiver. The compatible products are identified by the letter "G" in the product code. Refer to instruction manual of the receiver for the procedure of memorization.

3 - Functioning

Green Mouse will periodically control the light level, turning ON and OFF the load connected to the controlled receiver, in order to keep the preset level constant.

The automatic system can be activated or deactivated at any time pressing the button **5** and the led will indicate the status (blue = ON, red = OFF). While the device is operating, a quick blinking of the blue led means that it has automatically sent a command for the light control (**ON - OFF**).

Note: when the controlled receiver is switched off by another transmitters or external switches (if present), it ignores the commands sent by Green Mouse. If Green Mouse is not used for a long period, it's recommended to switch it off using button **5**.

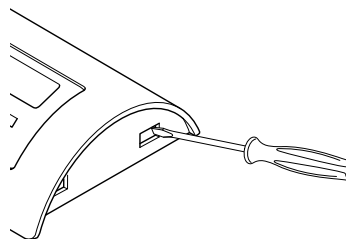
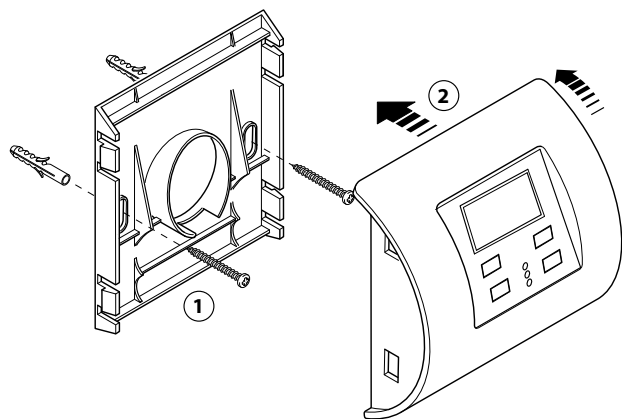
4 - Configuration of the light threshold

1. Press and hold the button **4** for 10 seconds.
2. When both led turn ON, release the button.
3. Press as many times the button **4** as the desired level:
 - 1 time: **both led ON** = 500 lux
 - 2 times: **blue led ON** = 750 lux
 - 3 times: **red led ON** = 900 lux (*default*)
 - 4 times: **flashing blue led** = 1200 lux
 - 5 times: **flashing red led** = 1500 lux
4. Press the button **5** to memorize the selected threshold. If no buttons are pressed within 10 seconds, the device exits the procedure without any memorization.

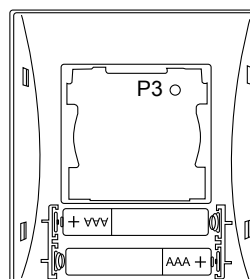
5 - Configuration of the time of the light level control

1. Press at the same time buttons **4** and **5** and hold for 10 seconds.
2. When both led turn ON, release the buttons.
3. Press as many times the button **5** as the desired level:
 - 1 time: **both led ON** = 5 seconds (*to use only during the test*)
 - 2 times: **blue led ON** = 30 seconds
 - 3 times: **red led ON** = 1 minute
 - 4 times: **flashing blue led** = 5 minutes
 - 5 times: **flashing red led** = 20 minutes
4. Press the button **4** to memorize the selected threshold. If no buttons are pressed within 10 seconds, the device exits the procedure without any memorization.

Note: high frequency of control could cause an high amount of transmissions, reducing the batteries charge.



Press on the side tabs to open the bottom case



Green Mouse is supplied by two batteries 1.5V AAA

WARNINGS

USE: The product is designed for the use only with compatible Teleco radio dimmers.



SAFETY RULES

- Do not use the manual transmitter in places or where systems are sensitive to radio emissions (e.g. airports, hospitals).
- Do not keep or use the manual transmitter in places that are damp, where there is steam, high air humidity, dust or similar environmental conditions.
- Do not let the manual transmitter drop: it could be damaged or its range of action reduced.
- The device is not protected against interference from other telecommunication equipment or systems (e.g. authorised radio systems working on the same frequency range).
- When the signal is weak, fix the manual transmitter up high. Change the battery if necessary.
- Do not use your nails to press the key as they could damage the keys.

BATTERY CHANGE

- Keep the batteries out of the reach of children. Call a doctor immediately if a battery is swallowed.
- Explosion hazard if the battery is substituted incorrectly.
- Replace the battery with a AAA type battery only.
- Always wrap the battery up, both when it is being stored and when it is being disposed of. The battery should not come into contact with other metal objects as it could cause the battery to run down, catch fire or be damaged.
- Dispose of damaged or finished batteries immediately in compliance with the law. To this end, contact the authorities for safeguarding the environment or the centre for disposing of waste materials in your area.
- Do not throw the battery away with household rubbish.



WARRANTY

The warranty complies with the law. If the warranty has to be used please refer to the specialized retailer. The right to the warranty is applicable only for the country in which the manual transmitter was purchased. The batteries are not covered by the warranty.

DECLARATION OF CONFORMITY TO THE EU DIRECTIVES

Hereby Teleco automation s.r.l. declares that the products comply with the essential requirements and other relevant provisions, established by the Directive 1999/5/EC. The declaration of conformity can be consulted on the web site: www.telecoautomation.com/ce.

In the view of a constant development of their products, the manufacturer reserves the right for changing technical data and features without prior notice.

TECHNICAL SPECIFICATIONS

-Carrier frequency	868.3 MHz	-Working temperature	-10° +55°C
-Power supply	2x1.5V AAA	- IP20	
-Consumption when transmitting	10 mA		