

SOFT TOUCH RADIO CONTROL TVPRH

ATTENTION !

The appliance must be installed only by qualified technical personnel in compliance with the standards in force. All connections must be rated for a 230V single-phase power supply. To disconnect the appliance from the mains use an all-pole switch with a minimum distance of 3.5 mm between the contacts. All wiring used must guarantee sufficient insulation as required by electrical safety standards in force. The programmer only carries out remote and manual movement commands. All the necessary safety devices required by the installation are to be organised separately. The programmer is in conformity with the RAEE and RoHS directives and it is intended for indoor use only (IPX0). The appliance is not intended for use by people (including children) with reduced physical, sensorial or mental facilities,

or with a lack of experience or knowledge, unless they are supervised by a person responsible for their safety or instruction concerning the use of the appliance. Children must be supervised to ensure that they do not play with the appliance. The radio frequency reception of the appliance may be disturbed by several factors as follows: -radio electric interferences from other appliances in the same room that are transmitting on the same frequency; -if the appliance is housed in a metal casing; only plastic casing should be used.

1- GENERAL DESCRIPTION

Electronics for the remote control of tubular motors for rolling shutters with mechanical or electronic travel limits incorporated in the motor. Possibility to control the device manually or via radio (in the 868 version). The work time is fixed at 60 seconds. Programming is either carried out on the receiver or remotely via transmitters. This appliance may be commanded by the standard transmitters of the series TVLink. The standard transmitters may be memorized or cancelled in the receiver using the command buttons. The maximum number of codes that can be memorized is 42 .

AVAILABLE MODELS

TVPRH000A01-S only soft touch version

TVPRH868A01-S remote and soft touch version

1.1 Operating way

It is possible to select different ways of functioning. The operating way involves both the commands from buttons and the commands via radio. These phases are possible only for the first 10 seconds after the switching on of the device.

1.1.1 Automatic opening and closing movement

- 1) Power up the device, the Led1 will light up for two seconds.
- 2) After the two seconds, push 8 times the stop button and hold it pushed for two seconds. The Led will light up every time the stop button will be pressed.

1.1.2 Automatic opening movement and “present man” closing movement

- 1) Power up the device, the Led1 will light up for two seconds.
- 2) After the two seconds, push 9 times the stop button and hold it pushed for two seconds. The Led will light up every time the stop button will be pressed.

1.1.3 “Present man” opening and closing movement

- 1) Power up the device, the Led1 will light up for two seconds.
- 2) After the two seconds, push 10 times the stop button and hold it pushed for two seconds. The Led will light up every time the stop button will be pressed.

2- Transmitters**Use transmitters with at least 2 channels.**

The transmitters are pre-coded by the manufacturer and each transmitter has its own unique code. Attention: if you press and hold down a transmitter button for more than 30 seconds, the transmitter will switch off automatically.

Transmitter channel functions

CH1 – Open/Stop CH5 – Open
CH2 – Close/Stop CH6 – Stop
CH3 – Open/Stop CH7 – Close
CH4 – Close/Stop

Warning! For the first 4 channels the channel opposite to the current operation always carries out a stop.

2.1 - Memorizing via a transmitter (first installation, empty memory)

- 1) Press button P3 on the transmitter, the receiver led will light up and remain lit.
- 2) Transmit one of the two channels of the pair to be memorized. Once memorized the led will flash, release the button.
To insert another pair of channels via radio follow the procedure in paragraph 2.2.

2.2 - Memorizing via a transmitter (ulterior transmitters) (memory addressing procedure)

- 1) Press button P3 on the already memorized transmitter, the receiver led will light up and remain lit.
- 2) Within 5 seconds press a channel that is already memorized in the receiver, the led will switch off for 1 second and then light up again for 5 seconds.
- 3) Transmit one of the two channels of the pair to be memorized. Once memorized the led will flash intermittently, release the button.
To memorize more transmitters repeat points 1-2-3.

2.3- To cancel a code via radio

- 1) Press button P3 on the transmitter for three times within five seconds, the receiver led will flash slowly.
- 2) Transmit one of the two channels of the pair to be cancelled, once cancelled, the led will switch off.

3- Memorization, cancelling from the receiver.

These functions may only be carried out during the first 10 seconds after having powered up the device. Within these ten seconds you may only carry out one single operation; memorizing or cancelling a single channel or cancelling the entire memory content.

3.1- To memorize a channel

- 1) Power up the device, LED1 will light up for two seconds.
- 2) After two seconds press and hold down the stop button, LED1 will light up.
- 3) Transmit the channel to be memorized. The LED will flash to confirm memorization.
The channels are memorized in pairs, ch1 with ch2, ch3 with ch4, ch5 with ch6 and ch7.

3.2- To cancel a single code

- 1) Power up the device, LED1 will light up for two seconds.
- 2) After two seconds press the stop button twice and hold it down, LED1 will light up and flash slowly.
- 3) Transmit the channel to be cancelled. The LED will turn off to confirm cancellation.

3.3 – To cancel the entire memory content

- 1) Power up the device, LED1 will light up for two seconds.
- 2) After two seconds press the stop button three times and hold it down for ten seconds, LED1 will light up and flash quickly, when cancellation has been carried out it remains lit, release the button.

4- If the memory is full

If the memory is full the led will flash three times when the device is powered up.

5- Errors during memorizing or cancelling

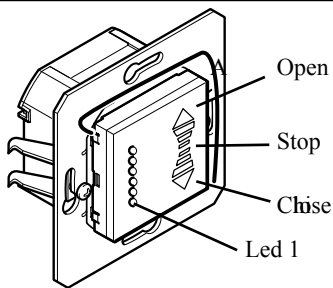
If the code is not memorized it could be due to one of the following:

- the code already exists in memory;
- the memory is full;
- the addressing procedure has not been followed correctly.

6- TECHNICAL SPECIFICATIONS

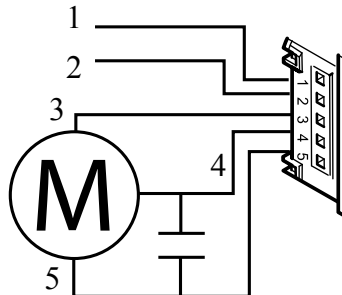
Reception frequency	868.3 MHz
Power supply	230 V
Relay output	
Voltage	230 V
Power	400 W
Operating temperature	-20° – + 50 °C

The reported data refer to the command of tubular motors with max. 4 minutes working time. As these products are being continuously developed, the manufacturer reserves the right to modify the technical specifications and performance characteristics without notice.

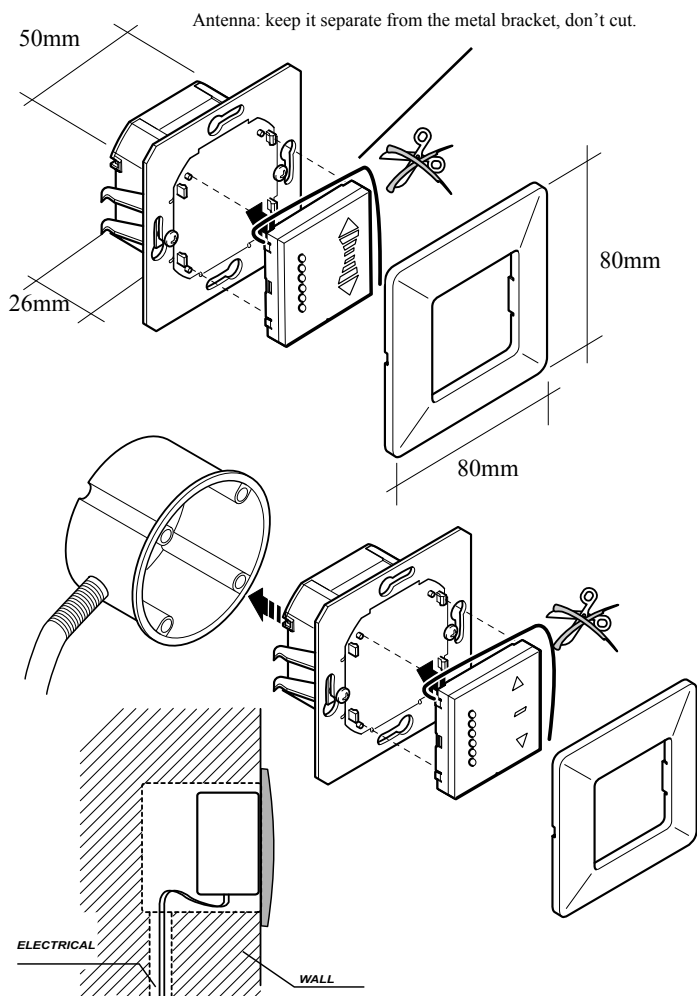


CONNECTIONS

- 1 Power supply 230V line
- 2 Power supply 230V neutral
- 3 Motor common (neutral)
- 4 Motor closing command
- 5 Motor opening command



ASSEMBLY



The appliance must be installed either by means of the fastening screws or the lateral hooks. Strip the wires as little as possible and block them in position near the binding posts using plastic clips. Fasten the wires well so that they cannot slip out of their binding posts.