

1 Feelux TCS1

3 wires to dimmer

Wired Dimming Switch TCS1 Switch



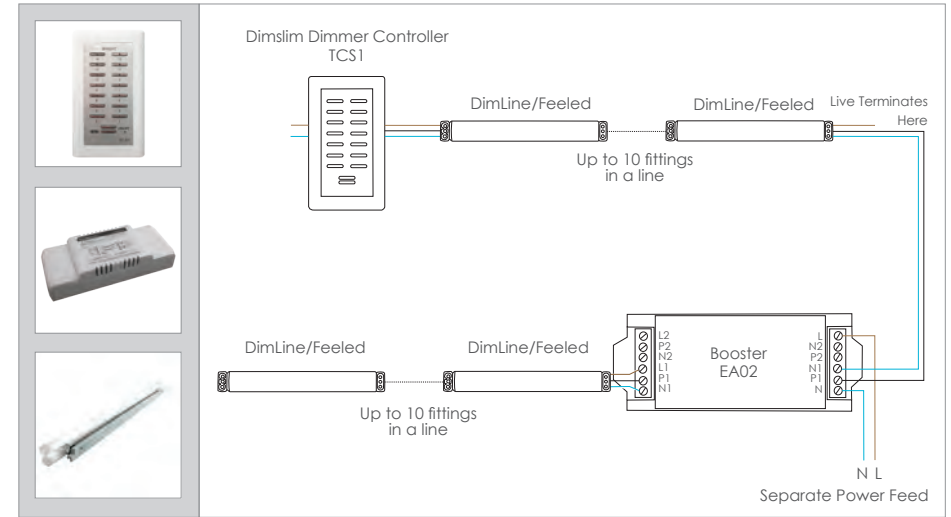
The TCS1 is a single circuit wired dimmer. It has 14 different brightness levels plus an on/off button. Simply press one of the 14 buttons to select a different light level. The TCS1 is wired directly to the DimLine with the power lead. No interface is required.

Product Code	DIMSLIM TCS1
Construction	Plastic
Maximum Wattage	300W
Fitting Length	119mm
Fitting Width	70mm
Fitting Depth	37mm



a

Dimming - Wired



Key

- Live
- Neutral
- Negative
- Positive



TCS1 Back boxes

Metal Backbox for recessing into walls.

Product Code	DIMSLIM TCS MET
Construction	Metal
Fitting Length	102 mm
Fitting Width	53 mm
Fitting Depth	44 mm



Plastic Backbox for plaster walls.

Product Code	DIMSLIM TCS PLA
Construction	Plastic
Fitting Length	140 mm
Fitting Width	62 mm
Fitting Depth	60 mm

What do I need?

Name	DIMSLIM DIMMER	FITTINGS	POWER CORD	COUPLER	DIMLINE BOOSTER
Part No.	DIMSLIM TCS1	DSLL14 DSLL21 DSLL28 DSLL24 DSLL35 DSLL39 DSLL54 LSLL10 LSLL20	DSLLOPC230	DSLLPTC DSLLPTC1 DSLLPTC2 DSLLPTC4 DSLLPTC6	DIMSLIM EA02
Quantity	1	1-30	1-3	1-27	1 *Optional

A TCS1 can run up to 10 fittings. If more than 10 fittings are required then a booster should be used. Each booster can run up to 20 fittings in two lines of 10 and requires a separate power feed. Multiple boosters can be used.