

RAB100

Signal Booster

What is it

This unit acts as a signal repeater for any RAKOM messages within a house effectively boosting the system range. With two external aerials the unit can boost system range to 100m.

Key Features

Up to 100m booster range

Addressable to 256 different house numbers

Non volatile memory storage

Setting of house, address from Scene control panel without the need of a PC

Easy instillation into existing conventional wiring.

Configuration of the system can be achieved by non technical staff

Receives and Transmits scene instructions using coded wireless radio communication.

Coded FM Transmitting with auto repeat and message error correction

Manufactured to ISO9000 standards

CE compliant to all relevant standards



What it does

On receiving a coded Rako radio signal command from a scene control panel, remote unit or PC or other Rako device, the unit re-transmits the signal. Ideally located centrally within a large project the unit has two external aerials for receive and transmit.

Note: The unit only re-transmits messages from the same House address and only one RAB100 unit per house is permissible.

RAB100

Signal Booster

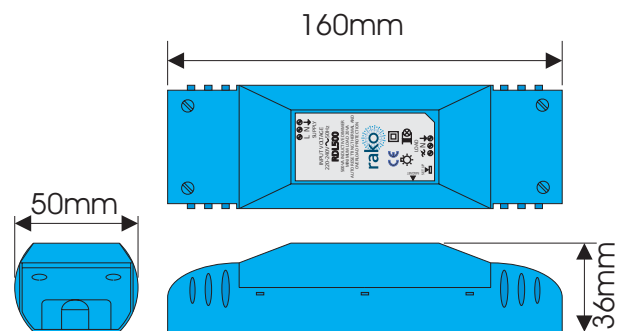
Electrical Data

Supply: 12V DC (from RAPSU)

Standards: EMC - EN 5001 -1 :1992
Immunity - EN 50082 - 1 :1997
LVD EN60950 -1 : 1992

Data Communication: RAKOM coded radio

Memory: FLASH memory



Mechanical Data

Weight : 300g

Housing : From UL V0 material

Climate range: Temperature +2C to +40C
Humidity +5 to 95% non
condensing

Your Dealer is