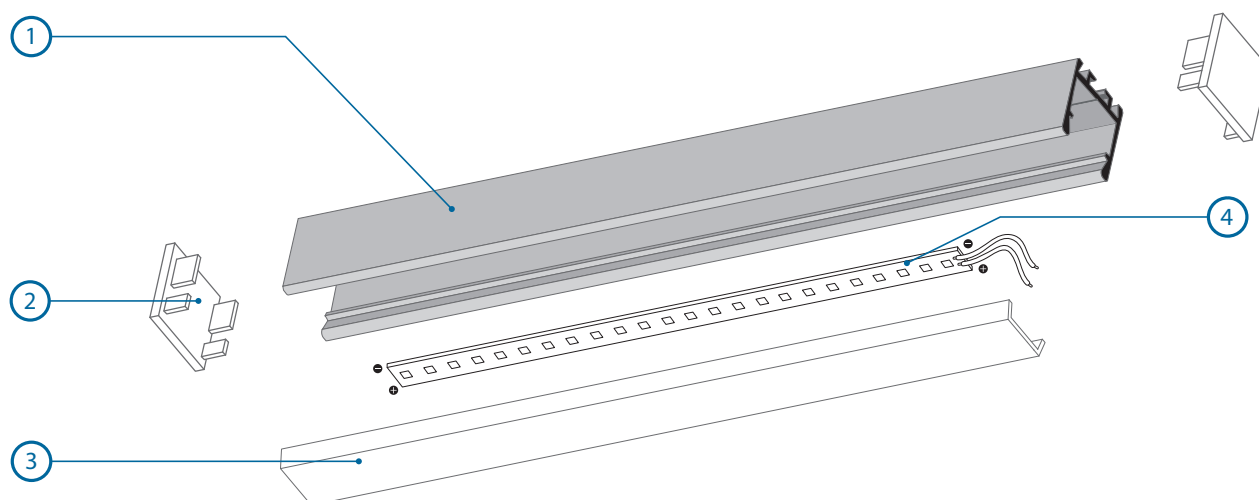




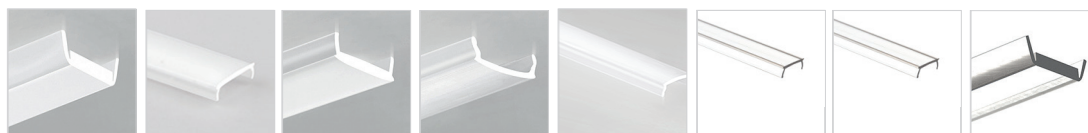
Basic fixture components



- 1. PDS ZM profile
- 2. end cap

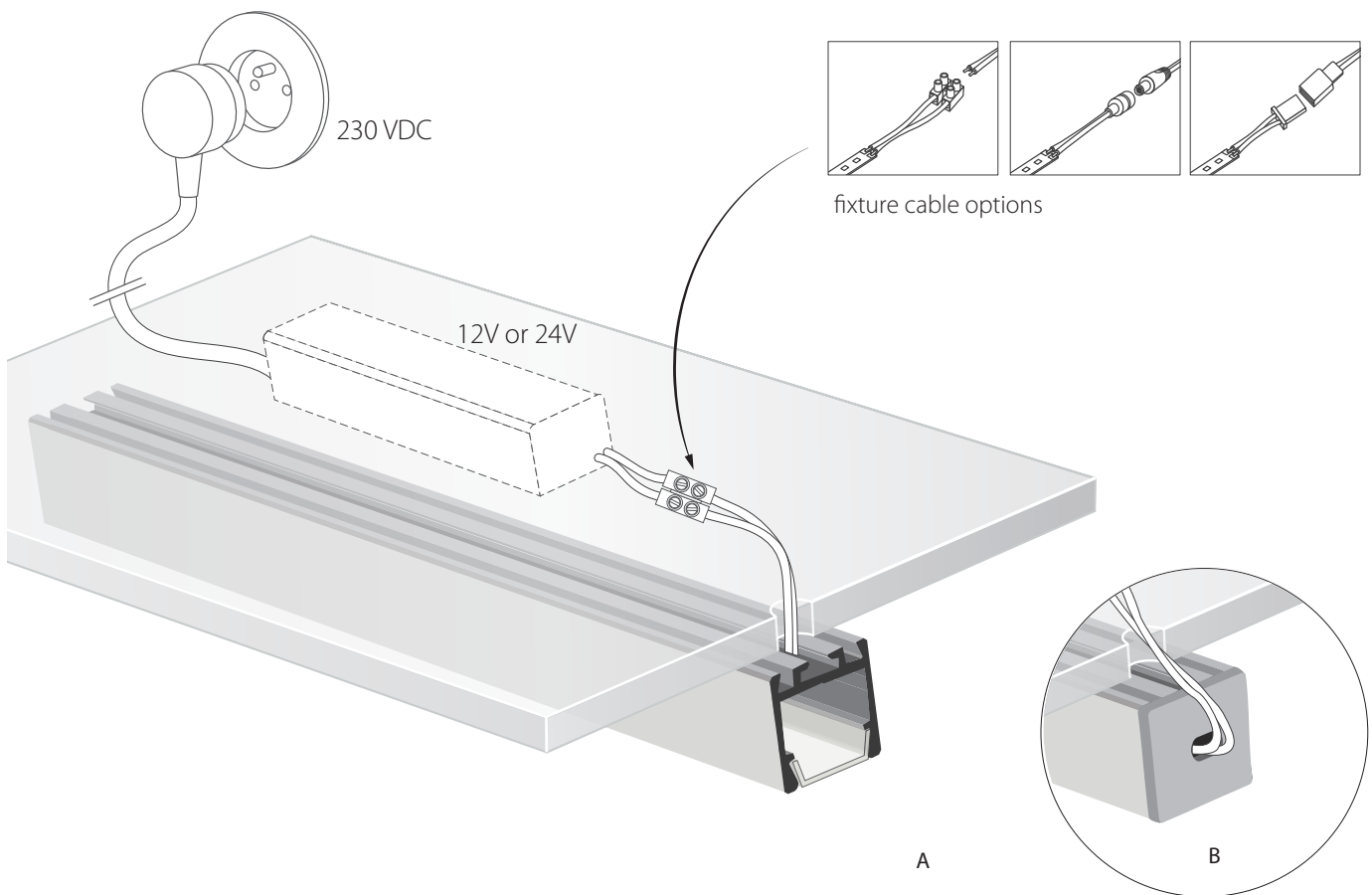


- 3. cover

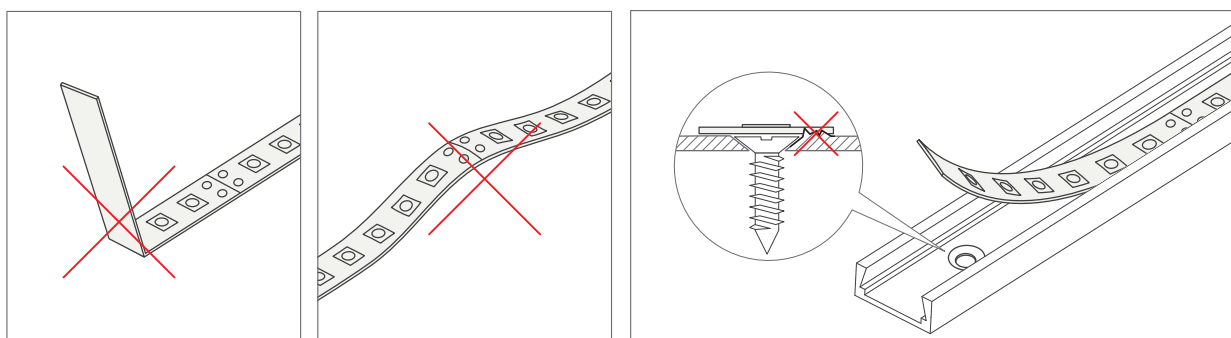


- 4. LED Tape (not included)

Wiring diagram



Installation of LED strips



NOTE:

- LED Strips should not be excessively bend.
- When laying LED strips to surface avoid ripples.
- The surface should be smooth, without sharp edges. Before applying the LED strip surface should be clean.

Mounting Instruction

Mounting PDS ZM extrusion to drywall with the use of glue and the GP mounting springs

