

Instruction Manual

Series: SWOT

Attentions:



Read the instruction carefully before installation, non-observance of this instruction may cause damage to the fixture or hurt to human body. The installation must be carried out by a qualified electrician in accordance with local or national codes.
Cut off the power supply before installation and maintenance !

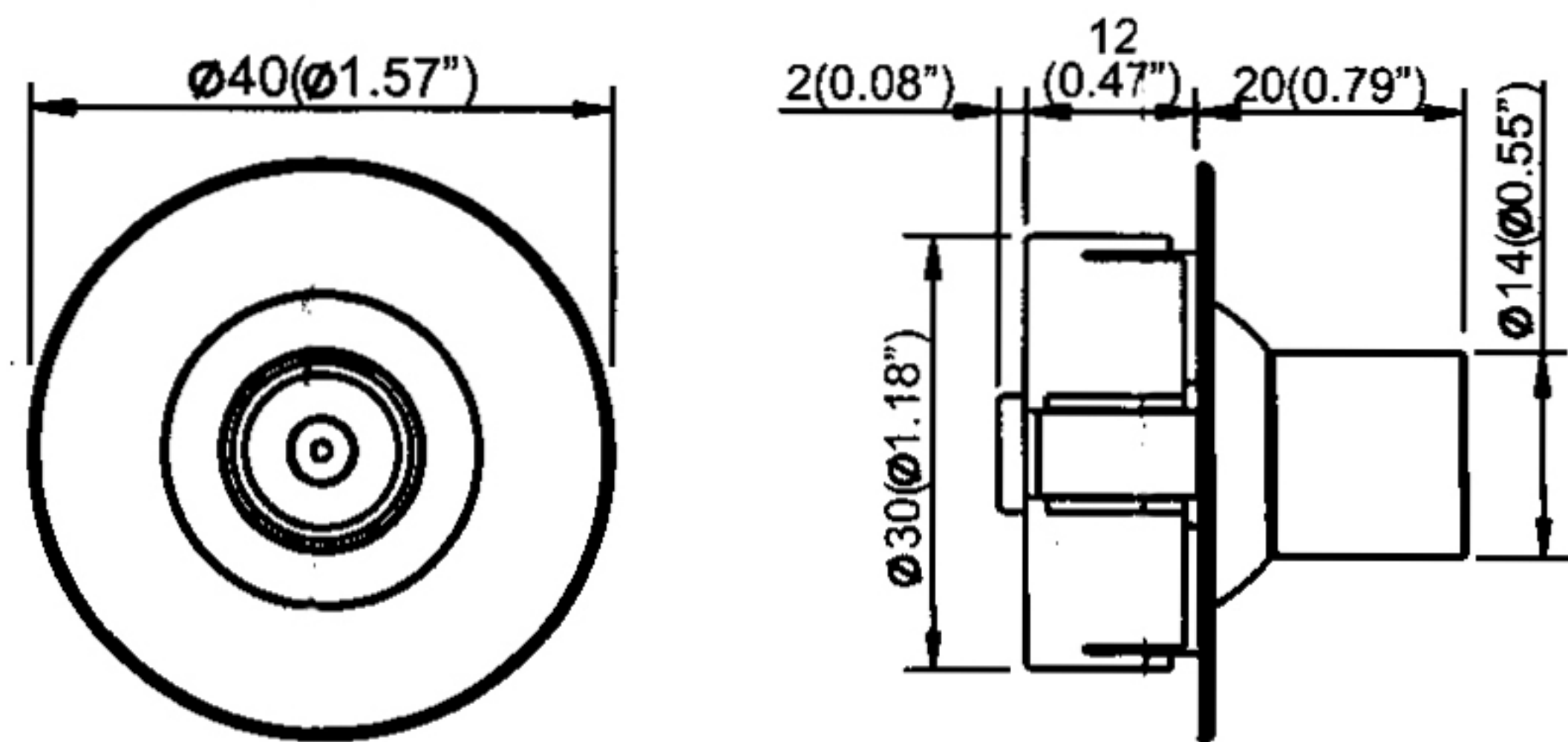
Regularly check the light source , the LED power supply, the cord and other accessories.
If any part is damaged, the product should not be used.

Keep this instruction manual handy for future use

The light source of these product are non-changeable light diodes(LED).
Do not disassemble the product, as the light diode can cause damage to the eyes.
The production is only for indoor and dry location.

Use only with SELV power supply or class 2 power supply (For USA market)

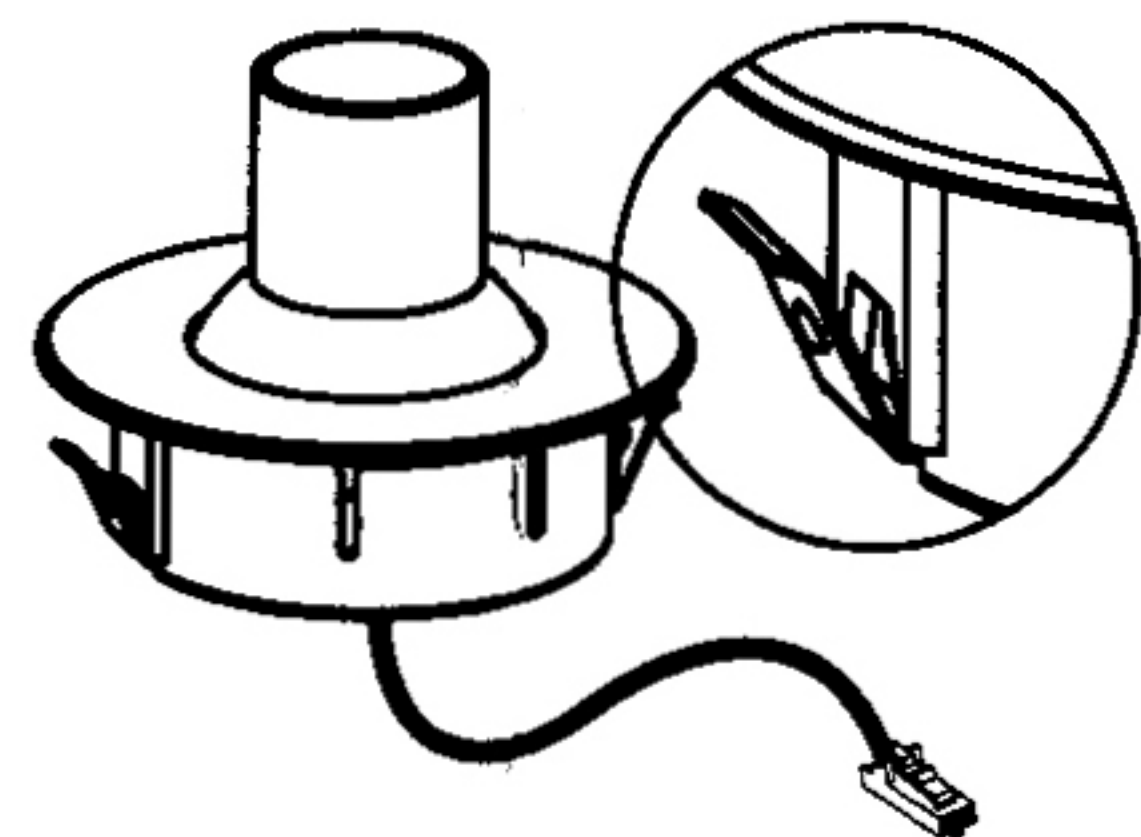
Dimension in mm(inch)



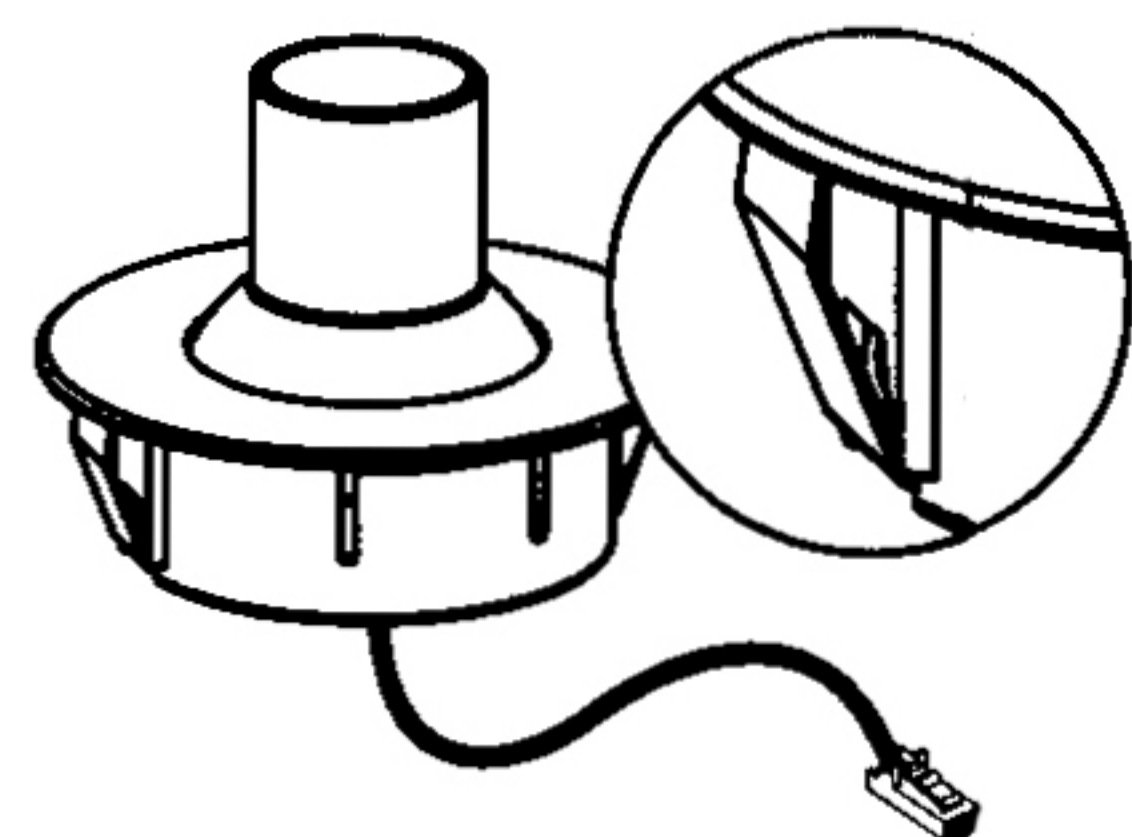
Model	Rated input	Power	ta
SWOT-R1-500	500mA	1.8W	-20°C~35°C
SWOT-R1-500-RB	500mA	1.8W	-20°C~35°C

SWOT-R1-500: Installed on the wood

SWOT-R1-500-RB: Installed on the wood or metal



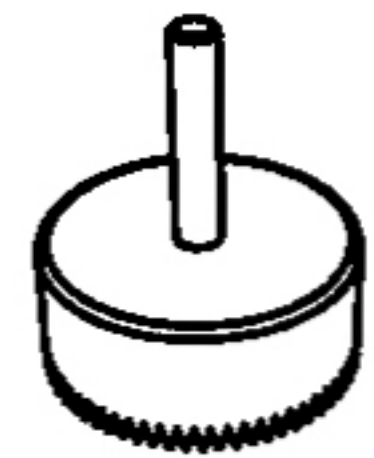
1x



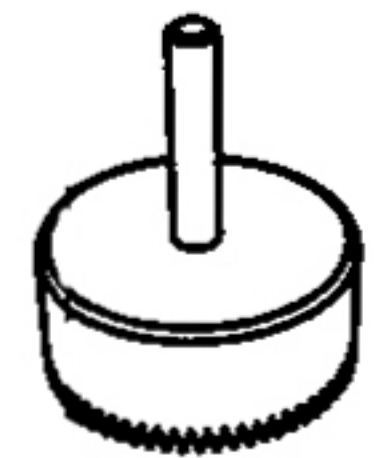
Tools



Driller



$\varnothing 32\text{mm}$
($\varnothing 1.26"$)
Hole opener



$\varnothing 33\text{mm}$
($\varnothing 1.30"$)
Hole opener

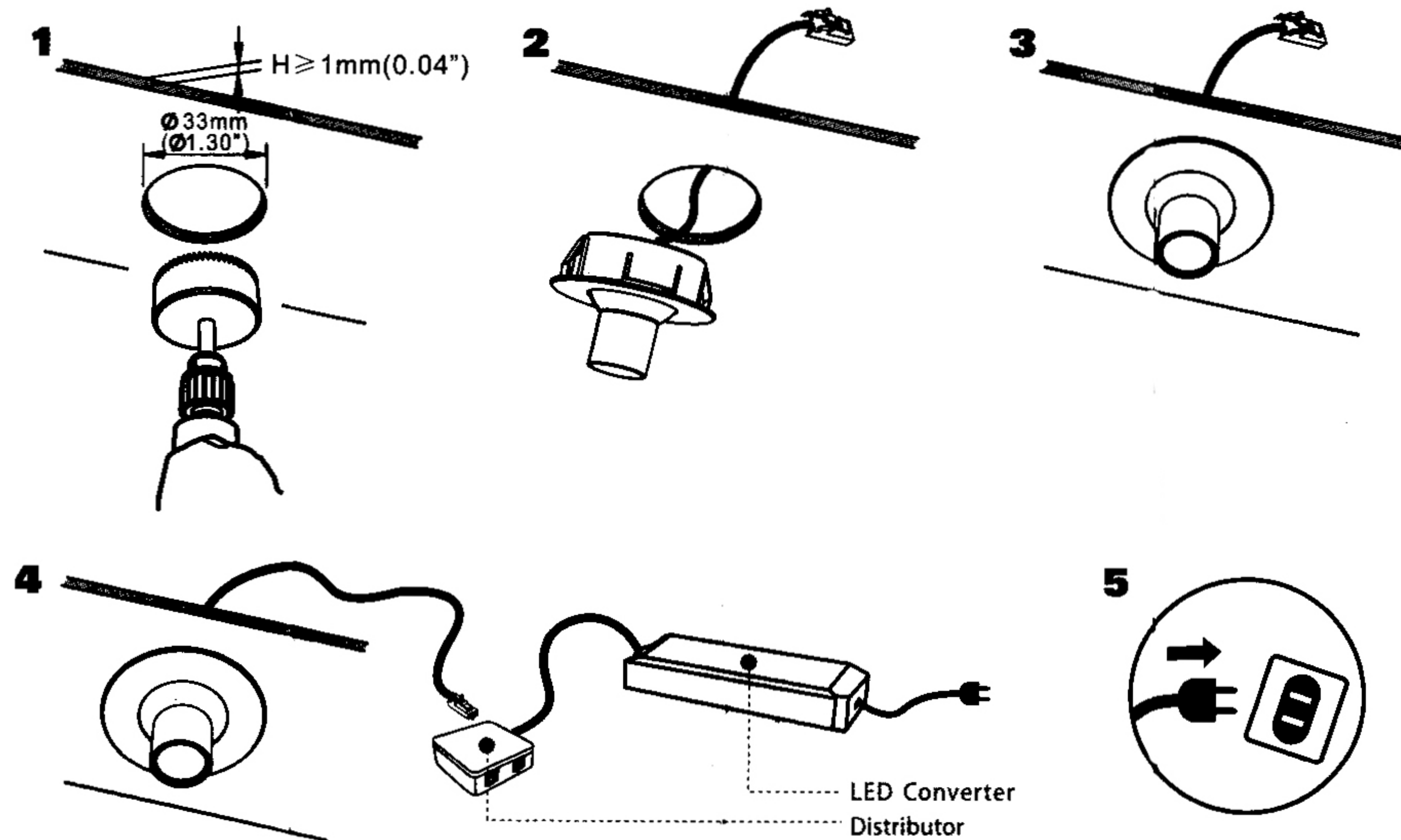


$\varnothing 32\text{mm}$
($\varnothing 1.26"$)
Hole opener

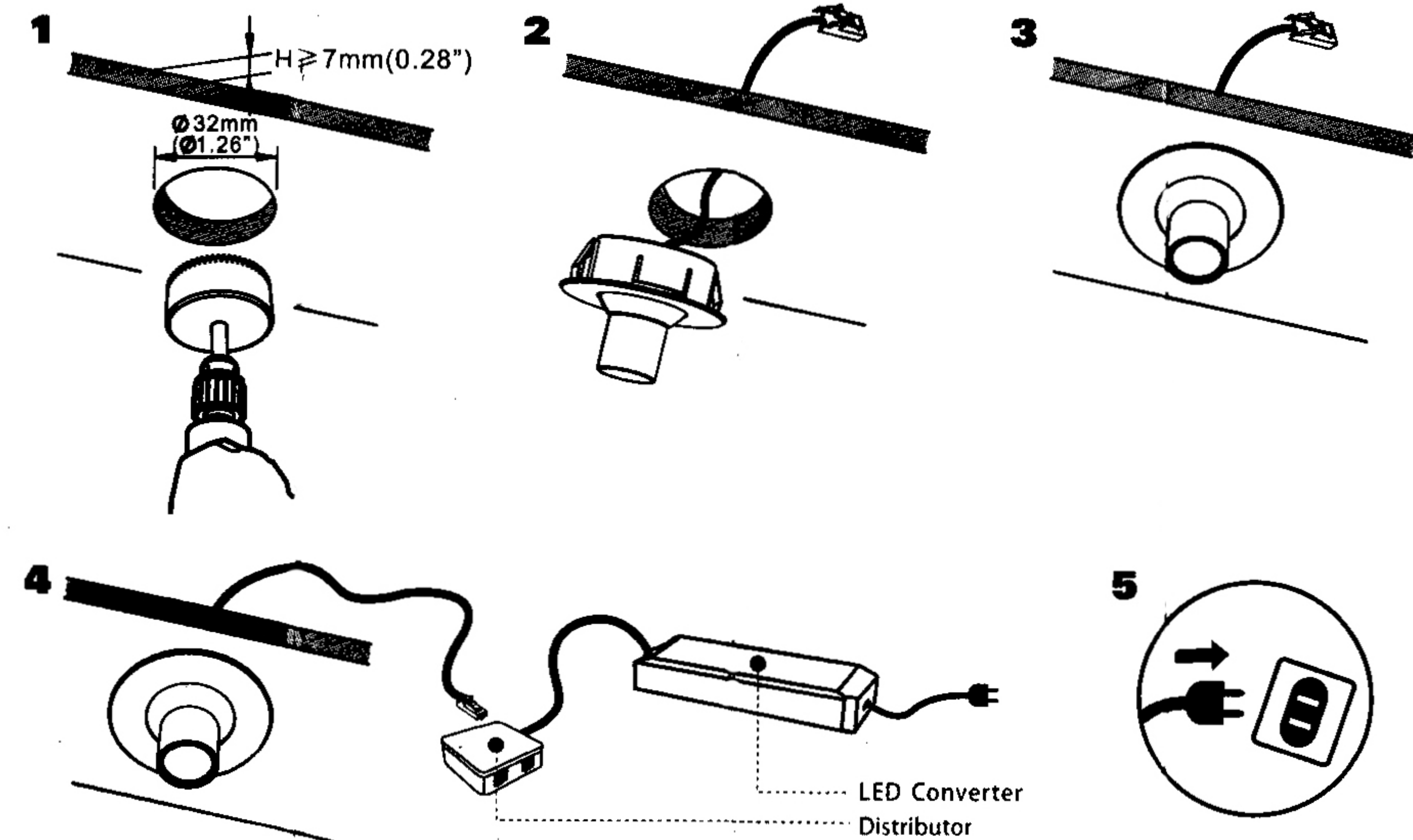


$\varnothing 7\text{mm}$
($0.28"$)
Drill bit

Installed on the metal:



Installed on the wood:



i Installed on the wood:

