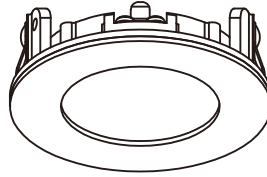
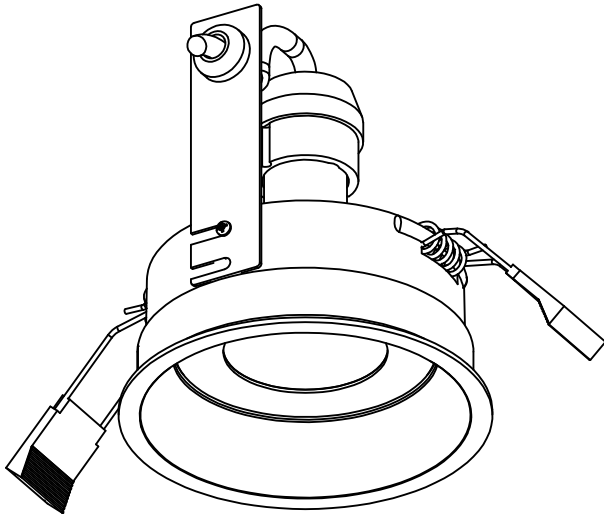
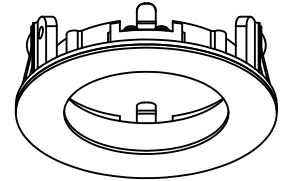


## INSTALLATION INSTRUCTION

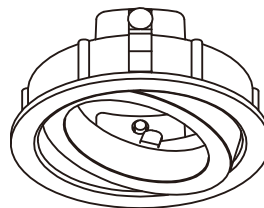
1. The fixture is for GU10
2. Before installation, make sure that the power supply is off.
3. Follow the steps as shown below for installation or replacement of Lamp.
4. After finishing every step, tighten the screws, have the fixture fixed, then connect the power supply.
5. It is recommended that these products are installed by a qualified electrician.



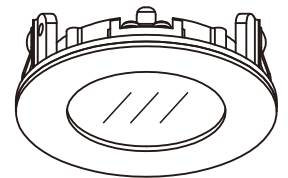
Fixed type(frosted glass)



Fixed type(no glass)



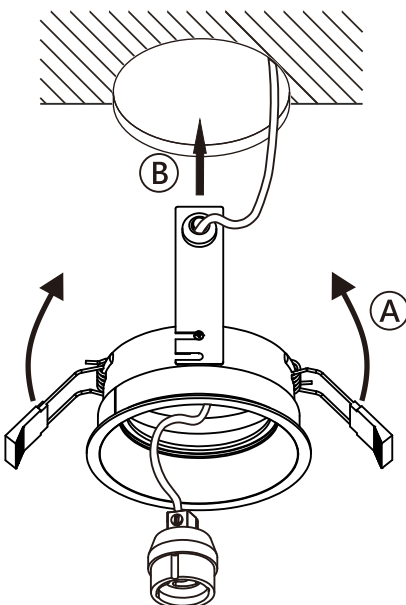
Adjustable type



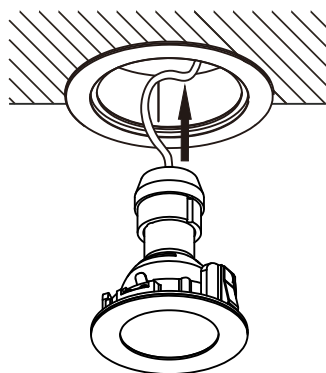
Fixed type(clear glass)

### Assembling diagram:

①



②



③

