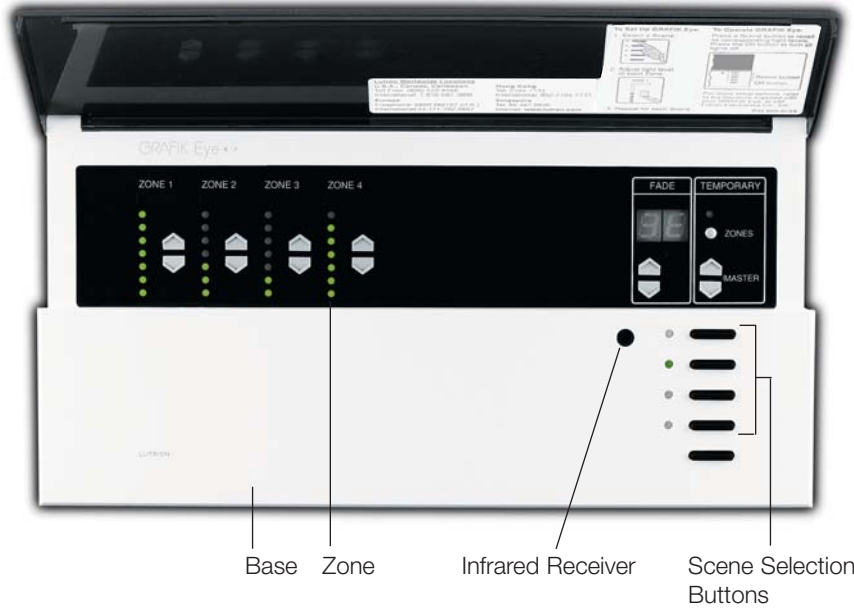


## GXI-3000 Control Unit

Cover (shown open)



### Description

- Provides pushbutton recall of four preset lighting scenes, plus Off.
- Allows setup of lighting scenes using buttons on the Control Unit.
- Controls virtually any light source without an interface.
- Provides lockout options to prevent accidental changes.
- Includes built-in infrared receiver for operation with an optional remote control.

### Models available to:

- Accept 230V (CE) input power.
- Control four zones of lighting.

**GXI-3100** Control Unit allows setup of lighting scenes using buttons on the Control Unit.

**GXI-3500** Control Unit allows setup of lighting scenes using a PC, including setting lighting levels in 1% increments.

Job Name:	Model Numbers:
Job Number:	

## Specifications

### Input Power

- 230V (CE), 50Hz.
- Lightning Strike Protection:  
Can withstand voltage surges of up to 6000V and current surges up to 3000A.

### Sources/Load Types

Controls the following lighting sources with a smooth, continuous Square Law dimming curve or on a full conduction non-dim basis:

- Incandescent
- Electronic Low Voltage
- Magnetic Low Voltage
- 0-10V and DSI\* ballasts; DALI - **intensity broadcast only**
- Neon and Cold Cathode

### Preset Controls

- 4 preset lighting scenes and off are accessible from the Control Unit front panel.
- 12 additional scenes are stored in the Control Unit. These scenes are accessible via Wallstations and/or Control Interfaces.
- Light levels fade smoothly between scenes. Fade time can be set differently for each scene, between 0-59 sec. or 1-60 min. Fade time from Off is capped at 5 sec.

### Key Design Features

- Meets IEC 801-2. Tested to withstand 15kV electrostatic discharge without damage or memory loss.
- Provides over-current and short-circuit protection.
- Provides capability to trim High End and Low End.
- Manual or automatic selection between leading edge or trailing edge dimming for low voltage transformers.
- Provides air gap isolation when the Off scene is selected.
- 10-year power failure memory automatically restores lighting to levels prior to power interruption.
- Faceplate snaps on with no visible means of attachment.

### System Communications and Capacities

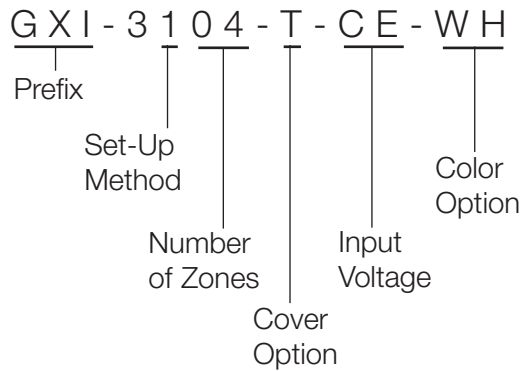
- Low-voltage type PELV wiring connects Control Units, Wallstations, and Control Interfaces.
- Up to 8 Control Units may be linked to control up to 32 zones.
- Up to 16 total Wallstations and Control Interfaces may be added for a total of 24 control points.

### Environment

- 0-40°C. Relative humidity less than 90% non-condensing.

<b>Job Name:</b>	<b>Model Numbers:</b>
<b>Job Number:</b>	

## How to Build a Model Number



**Prefix:**

**GXI** for GRAFIK Integrale 3000 Series Control Units

**Set-Up Method:**

**1** for standard setup via front panel  
**5** for PC setup

**Number of Zones:**

**4**

**Cover Option:**

**A** for Opaque  
**T** for Translucent Black

**Input Voltage**

**CE** for 230V (CE)

**Color Option:**

See Color Options list

## Model Number

### 230V (CE) Input Power

Number of Zones	Model Number	Unit Capacity	Zone Capacity	
			Dimmed/Switched Live Output	Ballast Control Output
4	GXI-3104-_-CE-__	2300W/VA	800W/VA	Up to 20 Ballasts
4	GXI-3504-_-CE-__	2300W/VA	800W/VA	Up to 20 Ballasts

### Cover Options

Opaque **A**  
 Cover and Base will match.  
 Translucent Black **T**  
 Black Cover and choice of base color.

Also available:  
 - Custom controls  
 - Color matching  
 - Engraving

These options ship in 4 to 6 weeks

### Color Options

#### Architectural Matte Finishes

Standard – Ship in 48 hours  
 Cover Option: A or T  
 White WH  
 Ivory IV  
 Beige BE  
 Gray GR  
 Brown BR  
 Black BL

#### Designer Gloss Finishes

Ship in 4 to 6 weeks  
 Cover Option: A only  
 White GWH  
 Light Almond GLA  
 Almond GAL  
 Ivory GIV

#### Satin Color Matte Finishes

Cover Option: A or T  
 Hot HT  
 Ochre OC  
 Terracotta TC  
 Desert Stone DS  
 Stone ST  
 Limestone LS  
 Blue Mist BT  
 Midnight MN  
 Taupe TP  
 Biscuit BI  
 Eggshell ES  
 Snow SW

#### Architectural Metal Finishes

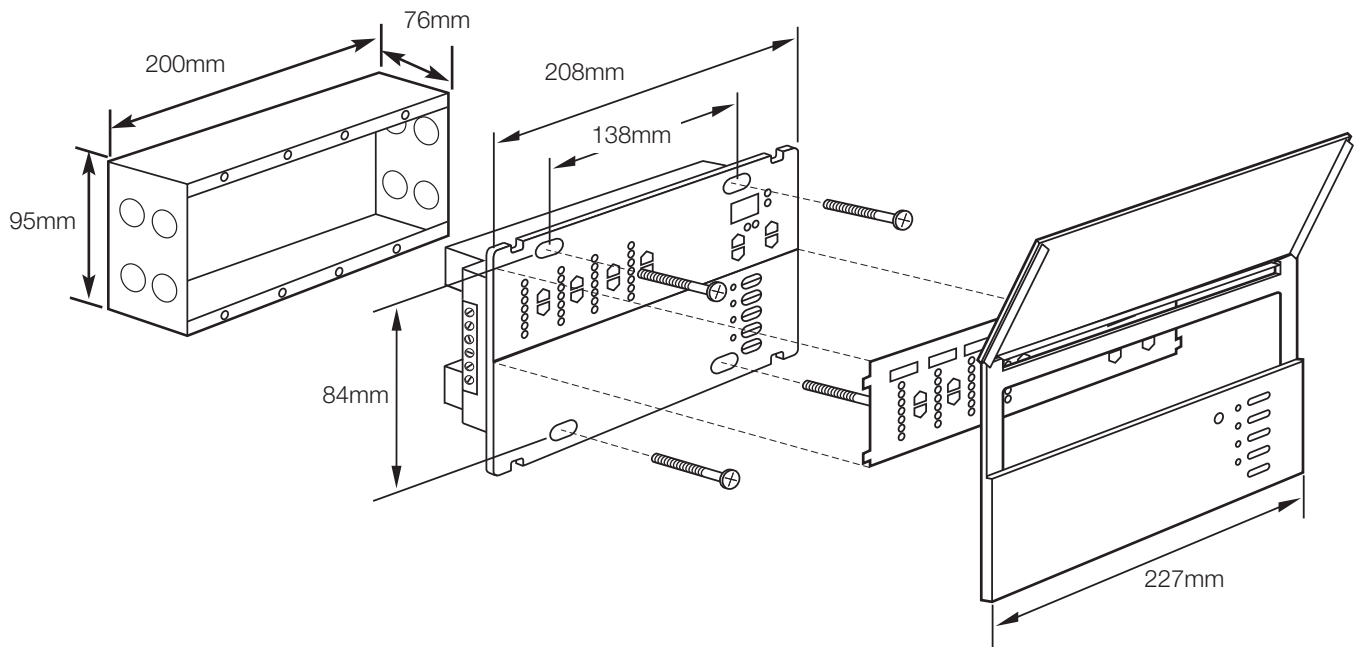
Cover Option: T only  
 Bright Brass BB  
 Bright Chrome BC  
 Satin Brass SB  
 Satin Chrome SC  
 Satin Nickel SN  
 Antique Brass QB  
 Antique Bronze QZ  
 Bright Nickel BN

#### Anodized Aluminum Finishes

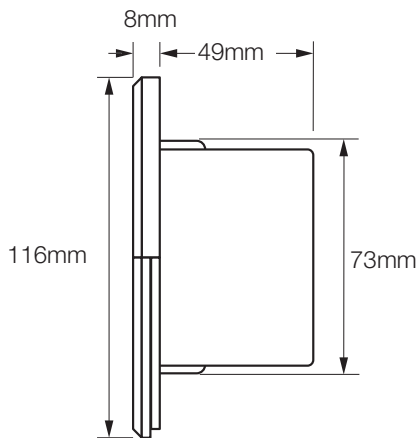
Cover Option: T only  
 Clear CLA  
 Black BLA  
 Brass BRA  
 Bronze BZA

<b>Job Name:</b>	<b>Model Numbers:</b>
<b>Job Number:</b>	

### Dimensions and Mounting

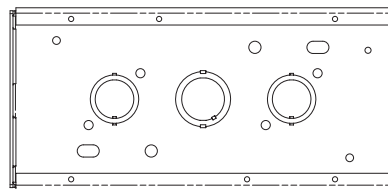


#### Side View

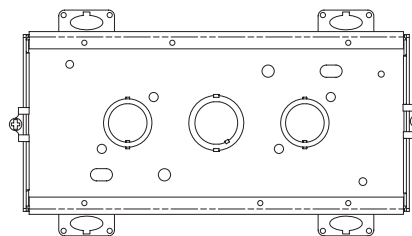


#### Backbox Front Views

Lutron P/N 241-400



Lutron P/N 241-691 (old-work backbox)

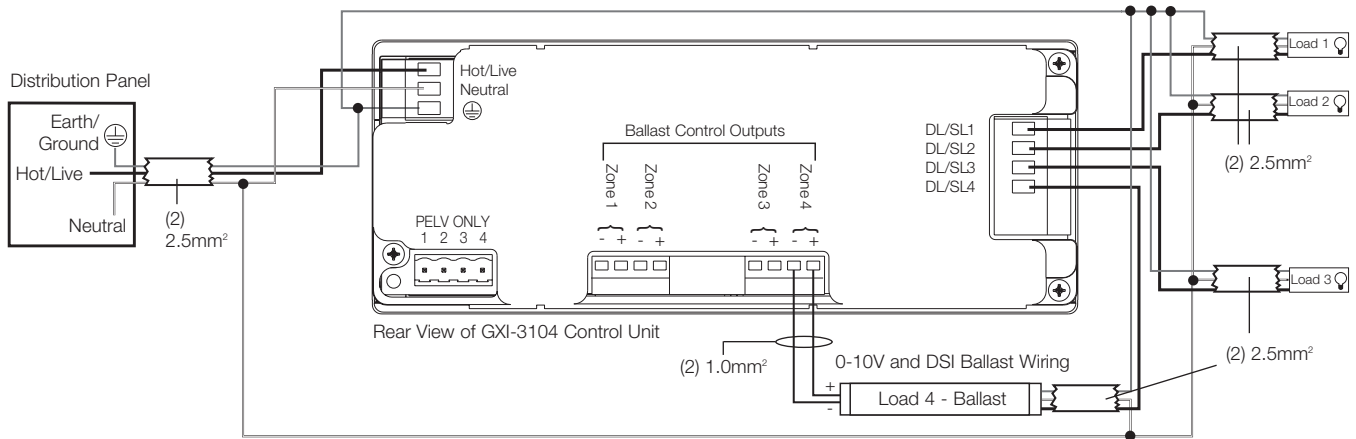


Job Name:	Model Numbers:
Job Number:	

## 230V (CE) Mains Voltage Wiring

Pull power wiring from distribution panel and to light fixtures. Each line voltage terminal can accept up to two 2.5mm<sup>2</sup> wires. For phase-to-neutral wiring, connect one phase to Live and the other phase to Neutral. When wired phase-to-phase, **the air gap does not break both phases while the Control Unit is Off**: the MCB(s) must be turned off when servicing the Control Unit or associated loads.

- Consult Lutron for:
- Non-dim relay wiring.
  - Load side emergency transfer wiring.

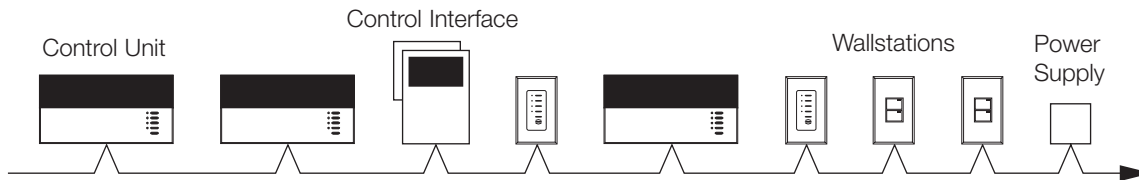


## Low-Voltage PELV Wiring

- System communications use low-voltage PELV (Class 2) wiring.
- Wiring must be daisy-chained.
- Wiring must run separately from line (mains) voltage.

PELV (Class 2) wiring link requires:  
 Two 2.5mm<sup>2</sup> (#12 AWG) conductors for control power.  
 One twisted, shielded pair of 0.625mm<sup>2</sup> (#18 AWG) for data link.

Total length of Control Link may be up to 610m (2,000 ft.).  
 Approved low-voltage cable is available from Lutron<sup>1</sup>, Belden, and Liberty.  
 These are approved with #22 AWG data link wires.



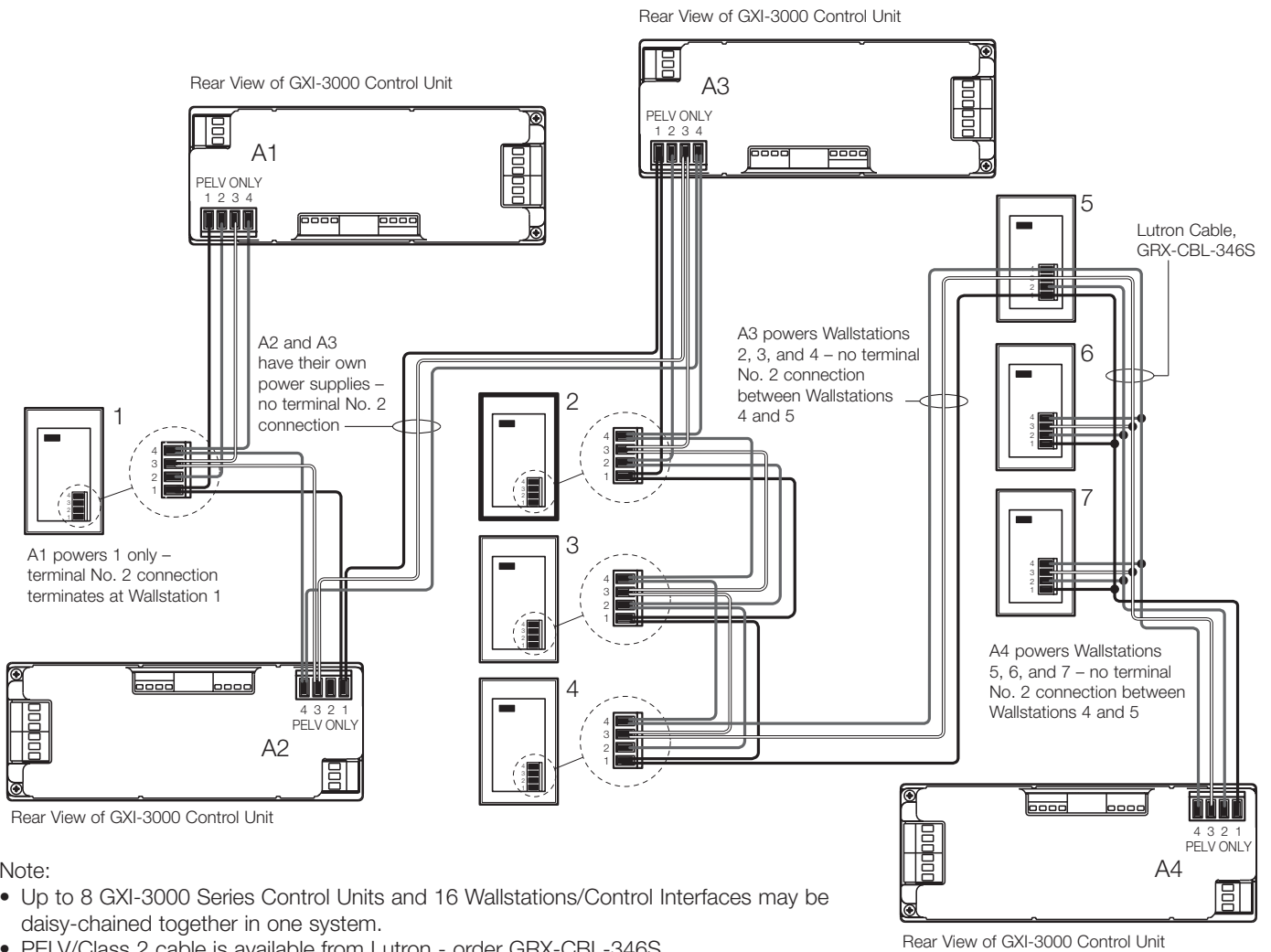
External 12VDC Power Supply is required to power more than three Wallstations and/or Control Interfaces from a single Control Unit.

<sup>1</sup> GRX-CBL-346S PELV (Class 2) wiring cable is available from Lutron and contains:  
 Two 2.5mm<sup>2</sup> (#12 AWG) conductors for control power.  
 One twisted, shielded pair of 0.625mm<sup>2</sup> (#22 AWG) for data link.

<b>Job Name:</b>	<b>Model Numbers:</b>
<b>Job Number:</b>	

## PELV Terminal Connections

- Each PELV terminal accepts up to two 1.0mm<sup>2</sup> wires.
- Daisy chain the terminal 1, 3, and 4 connections to all Control Units, Wallstations, and Control Interfaces.
- Each Control Unit has its own power supply. Terminate the terminal 2 connection (12VDC power) so that each Control Unit supplies power to a maximum of three Wallstations. Each Wallstation should receive power from only one Control Unit.
- Make all connections in the Control Unit's wallbox. Remote connections must be in a switchbox or junction box with a maximum wire length of 2.5m from the link to the connected unit.
- Do not allow PELV wires to contact line/mains wires.



<b>Job Name:</b>	<b>Model Numbers:</b>
<b>Job Number:</b>	