

# Low Voltage IR On/Off Switch

# Low Voltage IR On/Off Switch

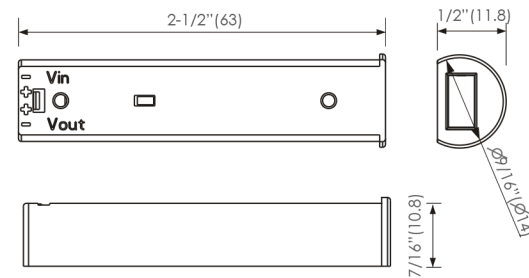


HZK221

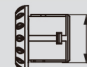
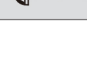


HZK231

Dimensions: (inches/mm):



### ■ Sensor(Optional) Table

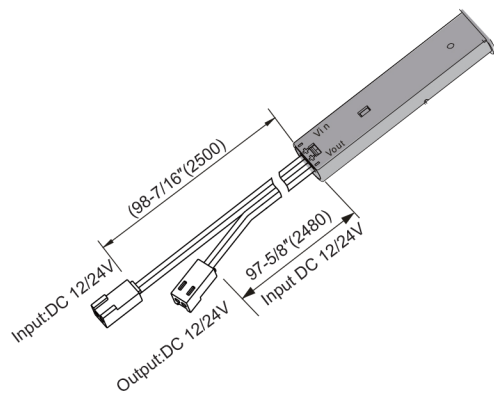
Sensor	Hole opening diameter(D)
	Ø1/2" (Ø13mm)
	Ø7/16" (Ø11mm)



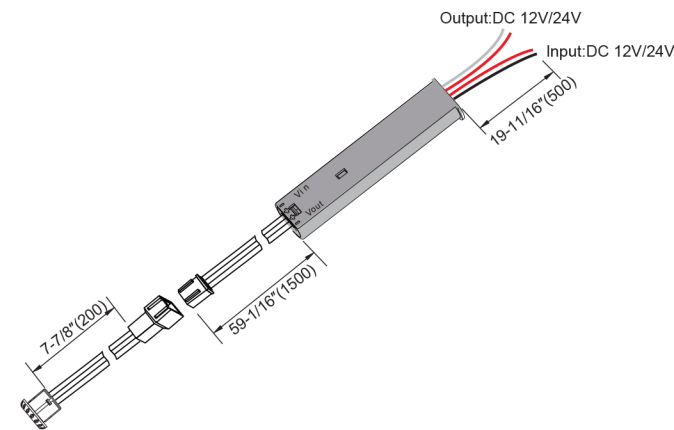
### ■ Features

- IR sensor for LED lighting
- With 2 selectable functions before installation

### ■ HZK221



### ■ HZK231



### ■ Characteristics

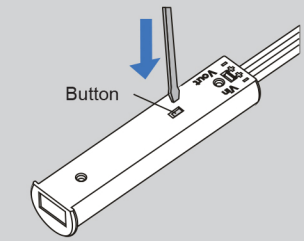
Model No.	Rated supply	Rated load	Ta	Detect range	Other functions	L x W x H
HZK221	DC 12V	Max.15W	-4~95°F (-20~35°C)	Less than 2" (5cm) is recommended	Function set *Memory	2-1/2"x7/16"x1/2" (63x10.8x11.8mm)
	DC 24V	Max.30W				
HZK231	DC 12V	Max.15W	-4~95°F (-20~35°C)	Less than 2" (5cm) is recommended	Function set *Memory	2-1/2"x7/16"x1/2" (63x10.8x11.8mm)
	DC 24V	Max.30W				

\*Memory function: In case of power failure, the device will return to its

### ■ Application

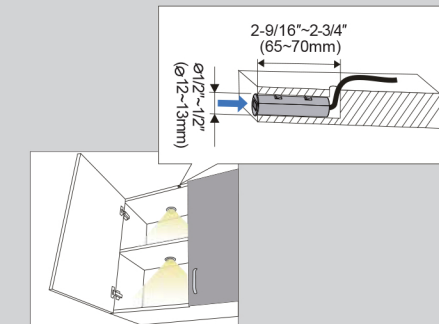
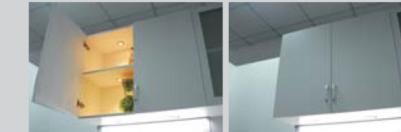
#### Function set

1. To set the function, first connect to power supply.
2. Pressing the button switches the function from one to the other and vice versa.



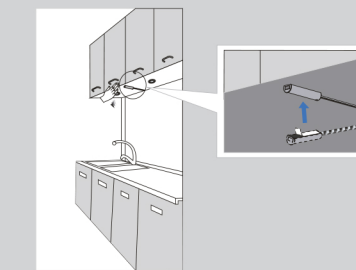
#### Function1 (Monostable function)

1. If mounted behind a door, please select the monostable function
2. Open the door, the lamps turn on
3. Close the door, the lamps turn off



#### Function 2 (Bistable function)

1. If mounted outside a door or a cabinet, please select the bistable function
2. Move hand over the detector, the lamps turn on
3. Move hand over the detector once again, the lamps turn off



### ■ Solution

