

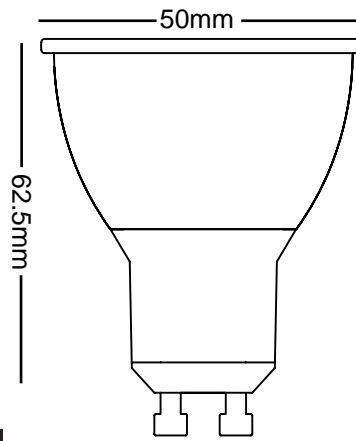
ledunited



OPTIC GU10 7W

Dimmable | 10,24,45° Beam

2013 PART L residential-commercial



The GU10 LED 7W is a 7W LED lamp designed to fit in any GU10 lampholder. The GU10 LED 7W is fully dimmable with both leading and trailing edge dimmers (we think the instruction sheets may need updating for all the lamps) and also complies with the 2013 Part L Regulations.

Key Features

- Complies with 2013 Part L regulations
 - L1A New dwellings
 - L1B Existing Dwellings
 - L2A New Buildings other than Dwellings
 - L2B Existing Buildings other than dwellings
- Fully dimmable with leading & trailing edge dimmers
- Equivalent to 60W GU10
- Lifetime of **25,000hrs**
- Fits GU10 lampholder

Specification

Cap	GU10
Length	62.5mm
Diameter	50mm
Wattage	7W
Voltage	240V
Colour Temp	2700k / 3000k / 4000k
CRI	80
Lumen W/W	560 lm
Lumen per Watt W/W	80 lm/w
Beam Angles	10° , 24° , 45°

Test Report for GU10 LED 7W Dimmable

Manufacturer	Product Name	Product Code	Wattage	Min Load Required	LED Bulb Quantity
ATON	2 Way 400W Push Dimmer Module	IDIMP400	4-400W	NO	2---20
ATON	2 Way 1000W Push Dimmer Module	IDIMP1000	10-1000W	NO	2---20
DANLERS	2 Way 250W Push Dimmer Module	DPD250W	40-250W	NO	1---20
DANLERS	2 Way 400W Push Dimmer Module	DPD400W	60-400W	NO	1---20
FOCUS SB	2 Way 400W Push Dimmer Module	SB-DSP400X	60-400W	NO	1---20
LUTRON	Rania 1 Gang 450W Master Dimmer	RNSU-452B	50-450W	NO	2---20
LUTRON	Lyneo 1 Gang 500W Dimmer	LLSI-502B	40-500W	NO	1---20
LUTRON	Grafik Eye QS 4 Circuit 500W Dimmer	QSGRK-4PCE	40-500W	NO	1---20
LUTRON	Grafik Eye 4 Circuit 800W Dimmer	GRX3104TCE	40-800W	NO	1---20
MK	2 Way 450W Push Dimmer	MK1535 WHITE	65-450W	NO	2---20
RAKO	Trailing Edge 500W Dimming Pack	RDT500-C	1-500W	NO	1---20
SUPERSWITCH	2 Way 250W Push Dimmer	WHDSW1 250W	40-250W	NO	1---20
WISE CONTROLS	Fusion 1 Gang 450W Dimmer	WISE FUSIONREC1	25-450W	NO - Must use LED Mode	2---20
WISE CONTROLS	Scene/Dimming Receiver 1 Circuit 250W	WISESCENE DIM LED	25-250W	NO	2---20
WISE CONTROLS	Scene/Dimming Receiver 1 Circuit 250W	WISESCENE OCTO	25-250W	NO - Must use LED Mode	2---20
WISE CONTROLS	Dimming Receiver 4 Channel 500W	WISESCENE BOX	25-500W	NO	1---20
ZANO	500W(T)400W(VA)66W(CFL)50W(LED)	ZGRID500	40-500W	NO	1---20
MK	230V 50Hz 40W/VA-200W/180VA	K4501	40-220W	NO	1---20
ADT	5-150W LEDS Intelligent Dimmer	ATE-VR400UK	5-150W	NO	1---20
SWITCH TO WOOD	10-120W LED Dimmer	V-PRO	10-120W	NO	1---10

***Where a minimum load is required, please use the recommended items within the brackets in the section above.**

The above list of dimmers have been tested with the GU10 LED 7W . Please speak to your supplier if you would like your dimmer added to our testing list.

• FOR USE WITH LEADING & TRAILING EDGE DIMMERS ONLY.

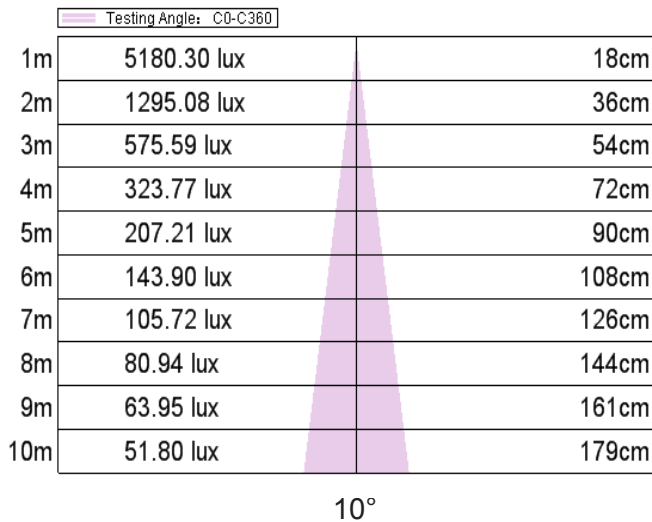
Available Lamps

Product Code	Angle	Temp	Lumens	lm/W	Life
GU10 LED 7W 10D W/W	10°	W/W 2700k	560	80	25000hrs
GU10 LED 7W 24D W/W	24°	W/W 2700k	560	80	25000hrs
GU10 LED 7W 45D W/W	45°	W/W 2700k	560	80	25000hrs
GU10 LED 7W 10D W/W	10°	W/W 3000k	560	80	25000hrs
GU10 LED 7W 24D W/W	24°	W/W 3000k	560	80	25000hrs
GU10 LED 7W 45D W/W	45°	W/W 3000k	560	80	25000hrs
GU10 LED 7W 10D C/W	10°	C/W 4000k	560	80	25000hrs
GU10 LED 7W 24D C/W	24°	C/W 4000k	560	80	25000hrs
GU10 LED 7W 45D C/W	45°	C/W 4000k	560	80	25000hrs

Light Cone Data

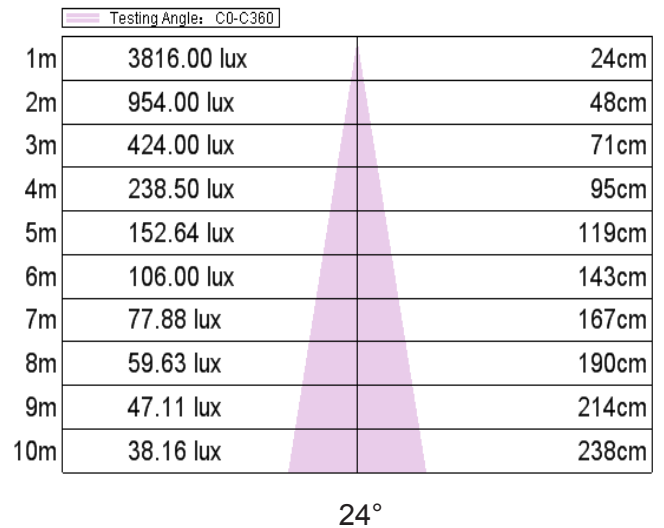
GU10 LED 7W 2700K/3000K/4000K 10D

Lux at a Distance



GU10 LED 7W 2700K/3000K/4000K 24D

Lux at a Distance



GU10 LED 7W 2700K/3000K/4000K 45D

Lux at a Distance

