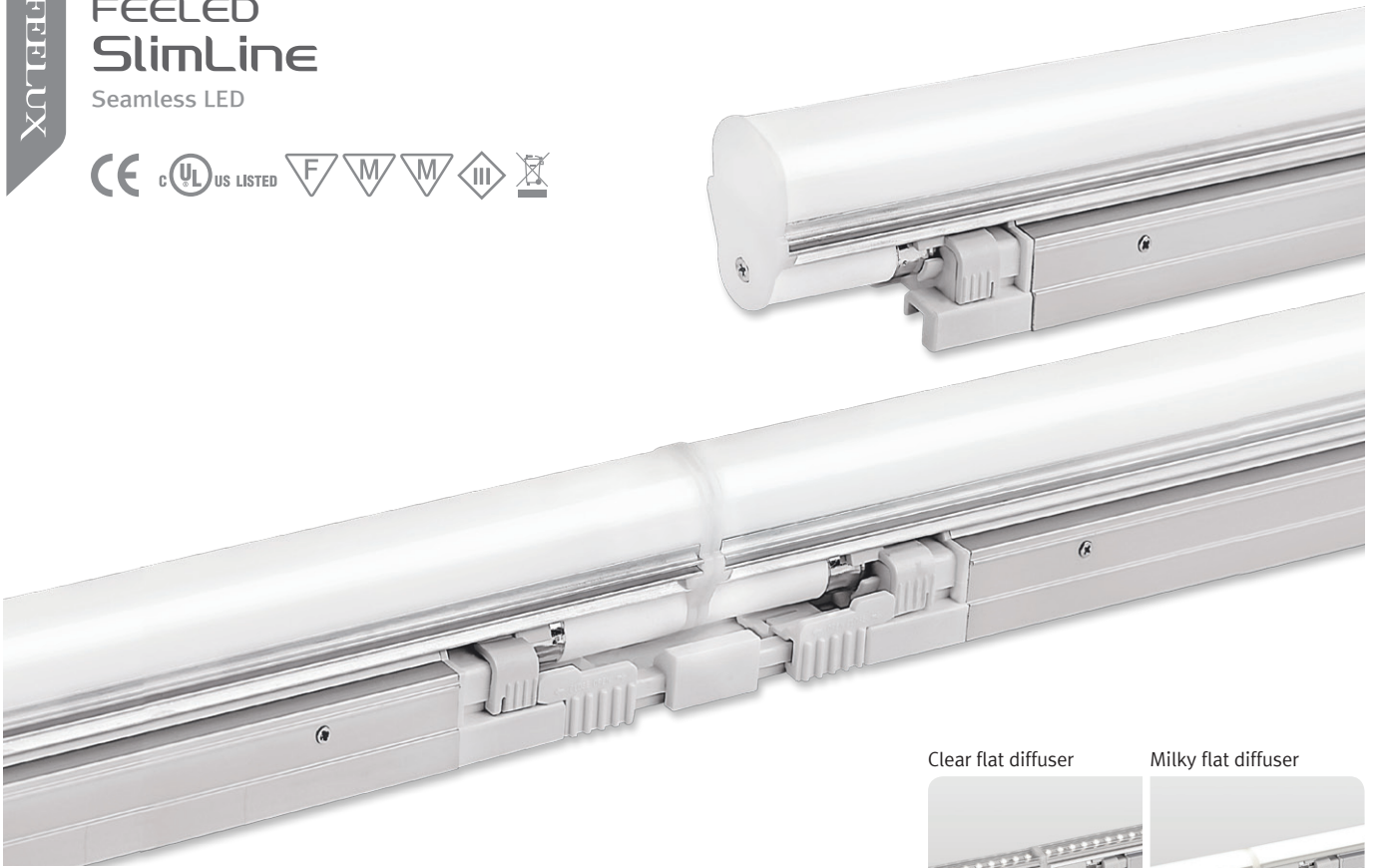


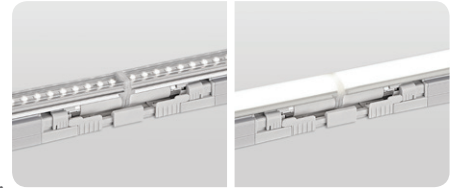
# FEELED SlimLine

Seamless LED



Clear flat diffuser

Milky flat diffuser

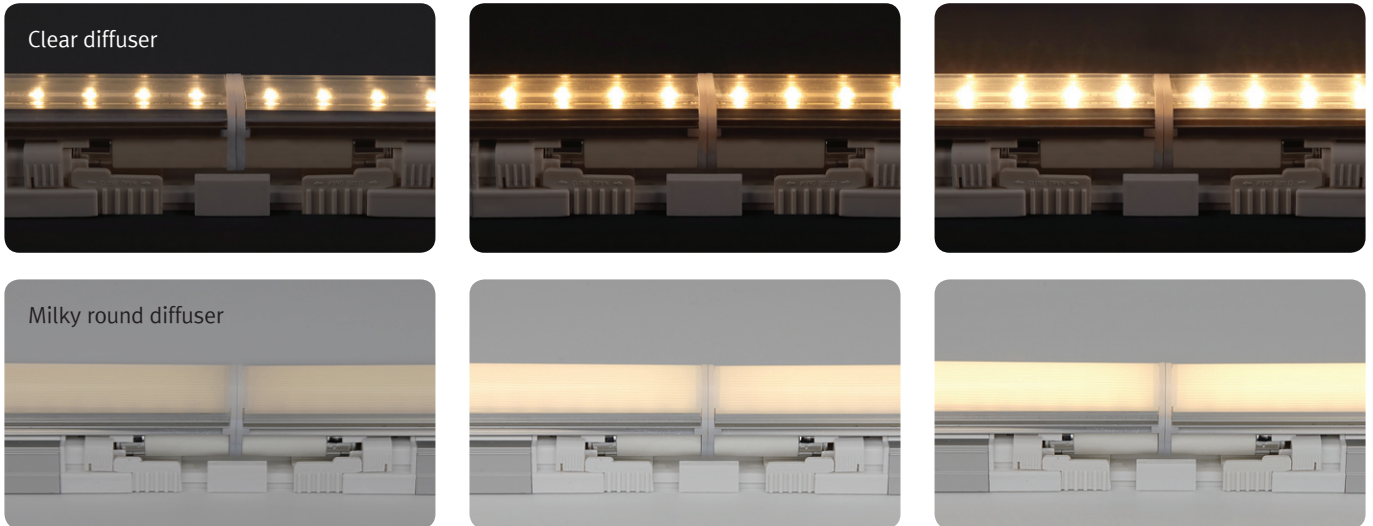


## FEELED SlimLine

SlimLine LED's innovative design is the solution for eliminating dark spots in cove lighting. This unique and efficient fixture removes socket shadowing by placing the lamps closer together to provide seamless illumination.



## Dimming



## Product Features

- Rigid aluminum extruded body permits effective heat emission
- Dark spot free at the linking point
- Transparent, Ivory white Diffuser
- Eco friendly product, No emission of Mercury and CO2
- AC power driver built in (SMPS is not needed)
- Compatible with accessories for fluorescent DimSlimLine by PWM controller

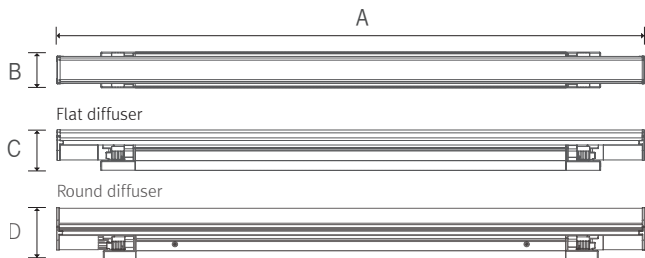
## Notice

- Max. connection(Dimming) : 10pcs
- Max connection(Non-Dimming) : 600W  
10W(60 pcs), 15W(40 pcs), 20W(30pcs)

## Specification

- Frequency range : 50/60Hz
- Voltage : AC 100~240V
- Operating temperature : 0~45°C
- Lamp life : 40,000hr
- Energy efficiency : 70 lm/W
- Available color : 2700K, 3000K, 3500K, 4000K, 6000K
- Color rendering : Ra > 80

## Dimension



Model Name	Lamp Power (W)	A (mm)	B (mm)	C (mm)	D (mm)
FLDSL10AB23NN/T	10	582.5	33	37.5	50.2
FLDSL15AB23NN/T	15	882.5	33	37.5	50.2
FLDSL20AB23NN/T	20	1182.5	33	37.5	50.2

\* Led tube(picture ④) should be ordered separately.

## Accessories

### ① Connecting cables

DSLLPTC	DSLLPTC1	DSLLPTC2	DSLLPTC4	DSLLPTC6
150mm(6inch)	300mm(1feet)	600mm(2feet)	1200mm(4feet)	1800mm(6feet)

### ② Direct connector

SLLCPL

### ③ Connecting cable between fitting and dimming controller

DSLLOPC230

### ④ LED tube

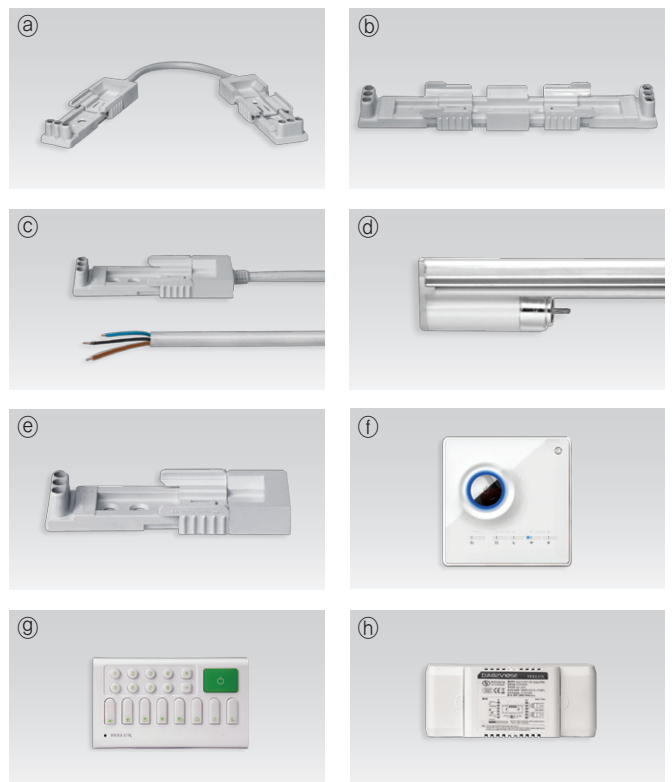
LSLL10T4KFC	LSLL15T4KFC	LSLL20T4KFC
10W 4000K TUBE	15W 4000K TUBE	20W 4000K TUBE

### ⑤ End cap

SLL-CAP

### ★ Dimming Controller

① Dimming Switch, ② Wireless control, ③ Interface



★ More detail information about dimming controller, please refer to the page 82 ~ page 87