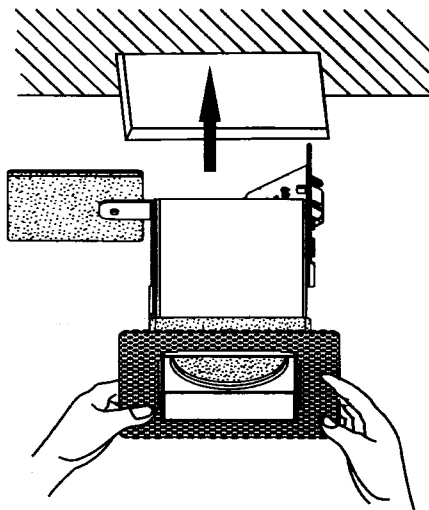


INSTALLATION INSTRUCTION

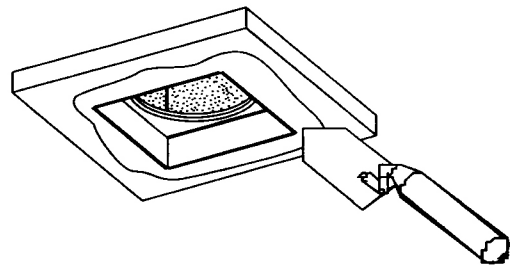
1. The fixture is for MR-11 and GU-11.
2. Before installation, make sure that the power supply is off.
3. Follow the steps as down below for installation or replacement of bulb.
4. After finishing every step, tighten the screws, have the fixture fixed, then connect the power supply.
5. It is recommended that these products are installed by a qualified electrician.
6. Note only fix fixing arm when the lagging is above the fitting, it must be extended to its maximum height.
7. Ensure the fitting body is fixed to the frame using the alan keys provided.

Assembling diagram:

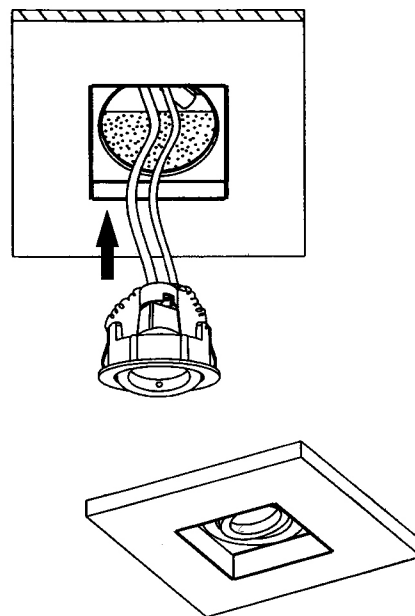
A



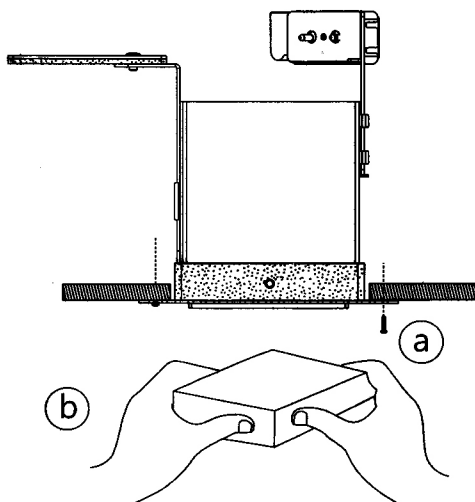
C



D



B



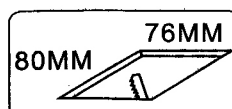
WARNING: POLYSTYRENE MUST BE FITTED
INSIDE THE FITTING BEFORE PLASTERING
TO AVOID ANY DAMAGES TO THE INNER RING.



GU-11



MR-11



Only fix fixing arm when the lagging is above the fitting. It must be extended to its maximum height.

