

The Sunlite DMX controller allows the creation of almost any scene or sequence from PC based software. By utilising this powerful software and stand alone control unit it is possible to operate the Dimline using the DTOPWM01 interface. Colour changing can be done using red, green and blue tubes, or colour temperature control can be achieved using different white tubes.

Product Code DMX00248
 Construction Plastic
 Fitting Length 94mm
 Fitting Width 80mm
 Fitting Depth 42mm



DMX interface for dimming DimLine

The DimSlim DTOPWM01 Interface has the DALI, DSI and DMX input protocols. This means that you can dim the DimLine with the following control systems: Lutron, Cbus, Leax, I-Light, Crestron, Rako, Helvar, Dynalite, etc. Both DALI and DMX will operate 4 separate circuits. The DSI will dim all outputs together.

The maximum load per channel (4 channels in total) is 1740 watts, but the total load on the interface must not exceed 3500 watts.

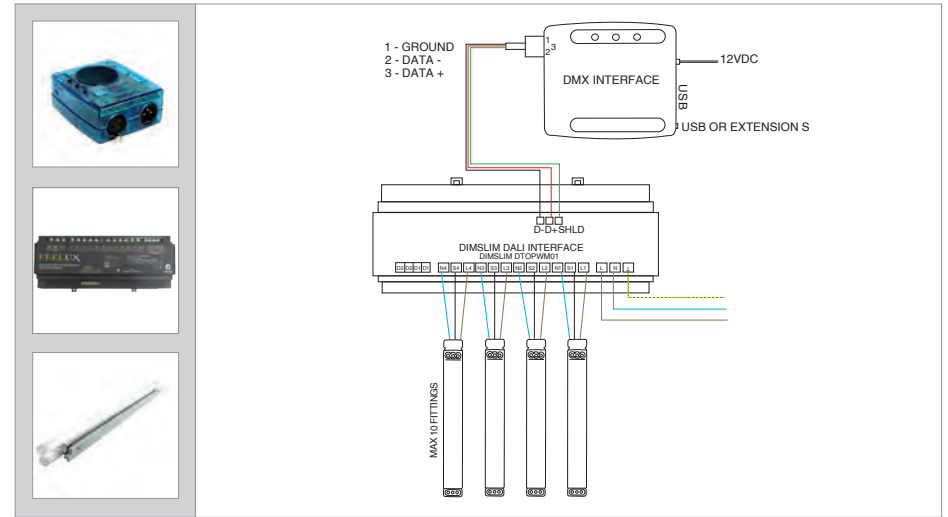
Construction Plastic
 Length 210mm
 Width 85mm
 Depth 70mm
 Voltage 240V
 Channels 4
 Maximum Wattage 3500W



DMX Controller - Wired

Dimming DimLine with DMX.

A power feed is run to the DTOPWM01 interface to provide power. A 3 core DMX cable is wired from the Sunlite pack to the DTOPWM01. If more than one DTOPWM01 is required then the DMX cable should be looped from one to the next.



What do I need?

Name	SUNLITE CONTROLLER	FITTING	DIMLINE DALI/DSI/DMX INTERFACE	COUPLER	POWER CORD
Part No.	DMX00248	DSLL14 DSLL21 DSLL28 DSLL24 DSLL35 DSLL39 DSLL54 LSLL10 LSLL20	DIMSLIM DTOPWM01	DSLLPTC DSLLPTC1 DSLLPTC2 DSLLPTC4 DSLLPTC6	DSLLOPC230
Quantity	1	1-250	1	1-250	1-25

Mode DMX

5 wires to dimmer

Wired DMX Dimming

COLLCD512 BLK



The ColourStyle DMX 512 Channel is a feature-rich programmable DMX controller, designed to offer comprehensive and intuitive control of all DMX fittings. It is ideal for both commercial and residential installations such as restaurants, bars, hotels, modern residential interiors, lightscapes, retail outlets, point-of-sale, illuminated signs and exhibition stands. This fitting does not come with a front plate which is sold separately.

Product Code: COLLCD512BLK
 Construction: Aluminium
 Fitting Length: 119mm
 Fitting Width: 70mm
 Fitting Depth: 37mm



DMX interface for dimming DimLine

The DimSlim DTOPWM01 Interface has the DALI, DSI and DMX input protocols. This means that you can dim the DimLine with the following control systems: Lutron, Cbus, Leax, I-Light, Crestron, Rako, Helvar, Dynalite, etc. Both DALI and DMX will operate 4 separate circuits. The DSI will dim all outputs together.

The maximum load per channel (4 channels in total) is 1740 watts, but the total load on the interface must not exceed 3500 watts.

Construction: Plastic
 Length: 210mm
 Width: 85mm
 Depth: 70mm
 Voltage: 240V
 Channels: 4
 Maximum Wattage: 3500W

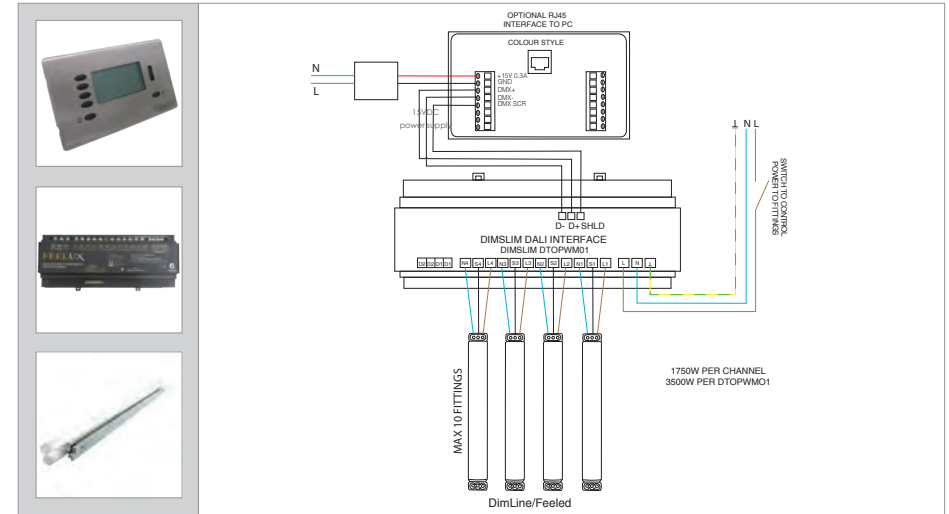


n

DMX Controller

Dimming DimLine with DMX

The DimLine can only be positioned in a run of 10 fittings but as the total load of the DimLine Dali interface is 3500W, more fittings can actually be added. You can branch off more than 1 line of 10 fittings from a circuits terminal block. As long as you ensure that each circuit will not go above 1750W, and the total load of the unit does not go above 3500W. This means that all 4 circuits CANNOT control 1750W.



Key

- Live
- Neutral
- Negative
- Positive

What do I need?

Name	COLOUR DMX512 CHANNEL	FITTINGS	DIMLINE DALI /DSI/DMX INTERFACE	COUPLER	POWER CORD
Part No.	COLLCD512	DSLL14 DSLL21 DSLL28 DSLL24 DSLL35 DSLL39 DSLL54 LSL10 LSL20	DIMSLIM DTOPWM01	DSLLPTC DSLLPTC1 DSLLPTC2 DSLLPTC4 DSLLPTC6	DSLLOPC230
Quantity	1	1-100	1	1-90	1-10