

INGRESSO

- Nominale: 110/240 Vac $\pm 10\%$ 50/60Hz.
176...280Vdc con alimentazione di emergenza
- Morsettiera 1 x 1.5 mm².
- Serracavo per cavi D= 3...8mm.
- Corrente massima: 0.18A.
- Fattore di potenza:
 - 220-240Vac: $\lambda_{max}=0.92$ (>0.84 @ Pout >6W)
 - 110-127Vac: $\lambda > 0.97$ @ Pout >6W
- Armoniche corrente assorbita: secondo EN 61000-3-2.
- Inrush current: 5A 50uS.

USCITA

- Isolamento SELV.
- Morsettiera 1 x 0,5...1.5 mm².
- Serracavo per cavi Dmax= 5mm.
- Selezione corrente e tensione di uscita tramite DIP switch (vedi tabella).
- Potenza massima e precisione di corrente @ 220/240Vac:
 - 10W @ 250mA $\pm 7\%$ (15...43V)
 - 15W @ 350mA $\pm 7\%$ (2...43V)
 - 17W @ 400mA $\pm 6\%$ (2...42V)
 - 19W @ 450mA $\pm 6\%$ (2...42V)
 - 20W @ 500mA $\pm 5\%$ (2...40V)
 - 20W @ 550mA $\pm 5\%$ (2...36V)
 - 20W @ 600mA $\pm 5\%$ (2...33V)
 - 20W @ 700mA $\pm 5\%$ (2...28V)
 - 16W @ 24.5V $\pm 5\%$ (700mA max)
- Potenza massima e precisione di corrente @ 110/120Vac:
 - 10W @ 250mA $\pm 7\%$ (15...43V)
 - 15W @ 350mA $\pm 7\%$ (2...43V)
 - 15W @ 400mA $\pm 6\%$ (2...37V)
 - 15W @ 450mA $\pm 6\%$ (2...33V)
 - 15W @ 500mA $\pm 5\%$ (2...30V)
 - 15W @ 550mA $\pm 5\%$ (2...27V)
 - 15W @ 600mA $\pm 5\%$ (2...25V)
 - 15W @ 700mA $\pm 5\%$ (2...21V)
 - 15W @ 24.5V $\pm 5\%$ (600mA max)
- Tensione in uscita massima: 55 VDC.
- Possibilità accensione LED al secondario.
- Efficienza pieno carico: 0.88. DIM 50%: 0.84
- Consumo in standby: < 0.5W

INPUT

- Nominal: 110/240 Vac $\pm 10\%$ 50/60Hz.
176...280Vdc for emergency application
- Terminal block for up to 1 x 1.5 mm².
- Strain relief for cables with D= 3...8mm.
- Max Input Current: 0.18A.
- Power factor
 - 220-240Vac: $\lambda_{max}=0.92$ (>0.84 @ Pout >6W)
 - 110-127Vac: $\lambda > 0.97$ @ Pout >6W
- Harmonic content of mains current: according to EN 61000-3-2.
- Inrush current: 5A 50uS.

OUTPUT

- SELV insulation on output.
- Terminal block for up to 1 x 0,5...1.5 mm².
- Strain relief for cables with Dmax= 5mm.
- Selection of current and voltage output through Dip switch (See table).
- Max output power and current precision @ 220/240Vac:
 - 10W @ 250mA $\pm 7\%$ (15...43V)
 - 15W @ 350mA $\pm 7\%$ (2...43V)
 - 17W @ 400mA $\pm 6\%$ (2...42V)
 - 19W @ 450mA $\pm 6\%$ (2...42V)
 - 20W @ 500mA $\pm 5\%$ (2...40V)
 - 20W @ 550mA $\pm 5\%$ (2...36V)
 - 20W @ 600mA $\pm 5\%$ (2...33V)
 - 20W @ 700mA $\pm 5\%$ (2...28V)
 - 16W @ 24.5V $\pm 5\%$ (700mA max)
- Max output power and current precision @ 110/120Vac:
 - 10W @ 250mA $\pm 7\%$ (15...43V)
 - 15W @ 350mA $\pm 7\%$ (2...43V)
 - 15W @ 400mA $\pm 6\%$ (2...37V)
 - 15W @ 450mA $\pm 6\%$ (2...33V)
 - 15W @ 500mA $\pm 5\%$ (2...30V)
 - 15W @ 550mA $\pm 5\%$ (2...27V)
 - 15W @ 600mA $\pm 5\%$ (2...25V)
 - 15W @ 700mA $\pm 5\%$ (2...21V)
 - 15W @ 24.5V $\pm 5\%$ (600mA max)
- Max. Output voltage: 55 VDC.
- Possibility of switch on the LED on secondary side.
- Efficiency @ full load: 0.88. DIM 50% 0.84
- Standby consumption: <0.5W.

ENTE EMITTENTE: DT Compilato _____ Visto _____

REGOLAZIONE

- Tipo PWM comandata da segnale DALI.
- Connettore per collegamento NTC esterna per riduzione corrente carico: tensione intervento 3V: Res int 18K. (Vedi tabella). Connettore anche utilizzabile per comunicazione rottura o fine vita lampada.

PROTEZIONI

- All'ingresso, contro sovratensioni impulsive di rete (secondo EN 61547) fino a 2KV L-N, 4KV N-GND e 4KV L-GND.
- Protezione al corto circuito e al circuito aperto. Protezione al sovraccarico e di temperatura (C.5.e della EN 61347-1).

FILTRO ANTIDISTURBO EMI

- Secondo EN55015.

AMBIENTE

- Temp. ambiente: -25... 45°C
- tc = 75°C
- tc life 50000hrs = 65°C

SICUREZZA

- Hi-pot test: 3.75 kV, 100% per 2 sec.

NORMATIVE

- EN 61347-1; EN 61347-2-13; EN 61547; EN 55015; EN 61000-3-2; DIN VDE 0710 teil 14.
- ENEC 05

DIMENSIONI

- L=110,4mm; L1=108mm; B=52mm; B1=27.5mm; H=22mm.

DIMMING

- PWM controlled by DALI signal.
- Terminal block for external NTC signal for load current reduction: trigger voltage 3V: Int Res. 18K (see table). Terminal block also useful for lamp failure detection o EOL detection.

PROTECTIONS

- Against input overvoltages from mains (according to EN61547) up to 2KV L-N , 4KV N-GND e 4KV L-GND.
- Against short circuit and open circuit.
- Thermal and overload protection (C.5.e EN 61347-1).

EMI FILTER

- According to EN55015.

AMBIENT

- Ambient temp.: -25... 45°C
- tc = 75°C
- tc life 50000hrs = 65°C

SAFETY

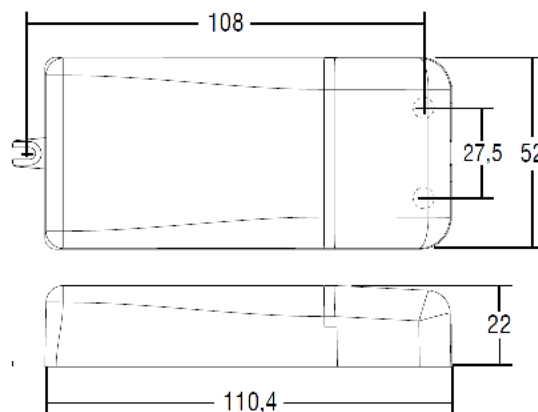
- Hi-pot test: 3.75 kV, 100% for 2 sec.

STANDARDS

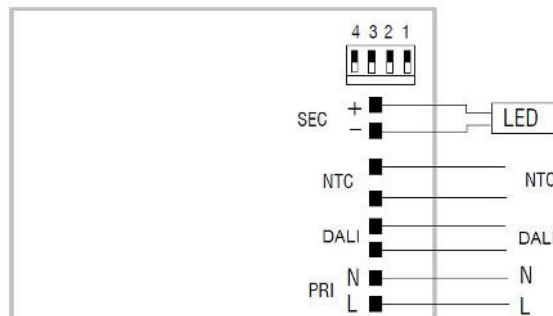
- EN 61347-1; EN 61347-2-13; EN 61547; EN 55015; EN 61000-3-2; DIN VDE 0710 teil 14.
- ENEC 05

DIMENSIONS

- L=110,4mm; L1=108mm; B=52mm; B1=27.5mm; H=22mm.



ENTE EMITTENTE: _____ Compilato: _____ Visto: _____



Z43/96 TCI DC MINI JOLLY DALI
Dimmable AC/DC PS for LED
MADE IN ITALY LED控制 型号 cod:123403
va Parma 14 21047 Saronno(VA) tel. 964.16.1 • tc

DALI

PRF: 110-240V~ 50/60Hz
 $I_{max} = 0,92 C - 0,97 I_{max} = 0,18A$

SEC: 20Wmax (*15W@110V~127V)
 250-700mA(C.C.) (Vomax=55V~); 24V~;(C.V.)
 $t_a = -25...45^{\circ}C$; $t_c = /5^{\circ}C$ P 150 MS Class 2
 178-280V~ range for emerg. appl. $I_{max} = 0,14A$
 178-280V~ 用于应急照明: $I_{max} = 0,14A$

Pout	SEC	1	2	3	4
10W	250 mA	-	-	-	-
15W	350 mA	-	-	ON	-
17W	400 mA	-	-	ON	-
19W	450 mA	-	ON	-	-
20W*	500 mA	-	ON	ON	-
20W*	550 mA	-	ON	-	ON
20W*	600 mA	-	ON	ON	-
20W*	700 mA	-	ON	ON	ON
15W*	24 V	ON	ON	ON	ON

SELV 05 Class 2
 8.5-9.5mm
 J3 JP3 ON S1
 4 3 2 1

Valore NTC	Temperatura inizio intervento (3V Req= 26Kohm)	Temperatura spegnimento completo (2,2V Roff=15Kohm)
100K	55°C	72°C
150K	65°C	80°C
220K	75°C	90°C

DALI Interface – supported commands

Command	Command Name	Implemented / Reaction
-	DIRECT ARC POWER CONTROL	yes
0	OFF	yes
1	UP	yes
2	DOWN	yes
3	STEP UP	yes
4	STEP DOWN	yes
5	RECALL MAX LEVEL	yes
6	RECALL MIN LEVEL	yes
7	STEP DOWN AND OFF	yes
8	ON AND STEP UP	yes
9	ENABLE DAPC SEQUENCE	yes
16 – 31	GOTO SCENE	yes
32	RESET	yes
33	STORE ACTUAL LEVEL IN THE DTR	yes
42	STORE THE DTR AS MAX LEVEL	yes
43	STORE THE DTR AS MIN LEVEL	yes
44	STORE THE DTR AS SYSTEM FAILURE LEVEL	yes
45	STORE THE DTR AS POWER ON LEVEL	yes
46	STORE THE DTR AS FADE TIME	yes

ENTE EMITTENTE: _____ Compilato: _____ Visto: _____

Command	Command Name	Implemented / Reaction
47	STORE THE DTR AS FADE RATE	yes
64 – 79	STORE THE DTR AS SCENE	yes
80 – 95	REMOVE FROM SCENE	yes
96 – 111	ADD TO GROUP	yes
112 – 127	REMOVE FROM GROUP	yes
128	STORE DTR AS SHORT ADDRESS	yes
129	ENABLE WRITE MEMORY	yes
144	QUERY STATUS	yes
145	QUERY CONTROL GEAR	yes
146	QUERY LAMP FAILURE	yes****
147	QUERY LAMP POWER ON	yes
148	QUERY LIMIT ERROR	yes
149	QUERY RESET STATE	yes
150	QUERY MISSING SHORT ADDRESS	yes
151	QUERY VERSION NUMBER	yes
152	QUERY CONTENT DTR	yes
153	QUERY DEVICE TYPE	yes
154	QUERY PHYSICAL MINIMUM LEVEL	yes
155	QUERY POWER FAILURE	yes
156	QUERY CONTENT DTR1	yes
157	QUERY CONTENT DTR2	yes
160	QUERY ACTUAL LEVEL	yes
161	QUERY MAX LEVEL	yes
162	QUERY MIN LEVEL	yes
163	QUERY POWER ON LEVEL	yes
164	QUERY SYSTEM FAILURE LEVEL	yes
165	QUERY FADE TIME/FADE RATE	yes
176 – 191	QUERY SCENE LEVEL (SCENES 0-15)	yes
192	QUERY GROUPS 0-7	yes
193	QUERY GROUPS 8-15	yes
194	QUERY RANDOM ADDRESS (H)	yes
195	QUERY RANDOM ADDRESS (M)	yes
196	QUERY RANDOM ADDRESS (L)	yes
197	READ MEMORY LOCATION	yes
224	REFERENCE SYSTEM POWER	No
225	ENABLE CURRENT PROTECTOR	No
226	DISABLE CURRENT PROTECTOR	No
227	SELECT DIMMING CURVE	yes
228	STORE DTR AS FAST FADE TIME	yes
229	---	NA
230	---	NA

ENTE EMITTENTE: _____ Compilato: _____ Visto: _____

Command	Command Name	Implemented / Reaction
231	---	NA
232	---	NA
233	---	NA
234	---	NA
235	---	NA
236	---	NA
237	QUERY GEAR TYPE	yes
238	QUERY DIMMING CURVE	yes
239	QUERY POSSIBLE OPERATING MODES	yes
240	QUERY FEATURES	yes
241	QUERY FAILURE STATUS	yes
242	QUERY SHORT CIRCUIT	yes
243	QUERY OPEN CIRCUIT	yes
244	QUERY LOAD DECREASE	no
245	QUERY LOAD INCREASE	no
246	QUERY CURRENT PROTECTOR ACTIVE	no
247	QUERY THERMAL SHUT DOWN	yes
248	QUERY THERMAL OVERLOAD	yes
249	QUERY REFERENCE RUNNING	no
250	QUERY REFERENCE MEASUREMENT FAILED	no
251	QUERY CURRENT PROTECTOR ENABLED	no
252	QUERY OPERATING MODE	yes
253	QUERY FAST FADE TIME	yes
254	QUERY MIN FAST FADE TIME	yes
255	QUERY EXTENDED VERSION NUMBER	yes
256	TERMINATE	yes
257	DATA TRANSFER REGISTER (DTR)	yes
258	INITIALISE	yes
259	RANDOMISE	yes
260	COMPARE	yes
261	WITHDRAW	yes
264	SEARCHADDRH	yes
265	SEARCHADDRM	yes
266	SEARCHADDRL	yes
267	PROGRAM SHORT ADDRESS	yes
268	VERIFY SHORT ADDRESS	yes
269	QUERY SHORT ADDRESS	yes
270	PHYSICAL SELECTION	Not implemented
272	ENABLE DEVICE TYPE 6	yes
273	DATA TRANSFER REGISTER 1(DTR1)	yes
274	DATA TRANSFER REGISTER 2(DTR2)	yes

ENTE EMITTENTE: _____ Compilato: _____ Visto: _____

Command	Command Name	Implemented / Reaction
275	WRITE MEMORY LOCATION	yes

**** *Un problema della lampada può essere comunicato all'alimentatore anche attraverso la porta NTC cortocircuitando questa o lasciandola aperta . Se la funzione non è utilizzata inserire JP3 (NOTA: usare solo jumper di tipo "chiuso").*

A failure of the lamp can be communicated to the PS also through the NTC port by short-circuiting it or leaving it open. If the port is not used set JP3 (NOTE: use only "closed housing" jumper).

*PS In assenza del segnale DALI l'alimentatore eroga la massima potenza.
The power supplier is at maximum power with DALI signal missing.*

ENTE EMITTENTE: _____ Compilato: _____ Visto: _____