



Hereby, FEELUX Co.,LTD declares that this DA02Z is in compliance with the essential requirements and other relevant provisions of Directive 1999/5/EC.

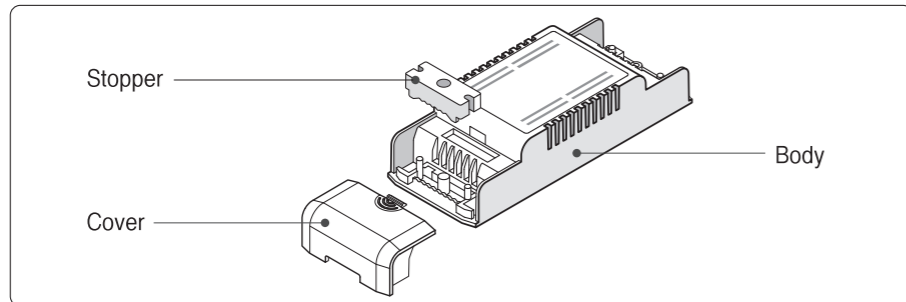
WARNING INFORMATION:

Meaning of crossed-out wheeled dustbin : Do not dispose of electrical appliances as unsorted municipal waste, use separate collection facilities. Contact your local government for information regarding the collection systems available. If electrical appliances are disposed of in landfills or cumps, hazardous substances can leak into the groundwater and get into the foodchain, damaging your health and well-being. When replacing old appliances with new ones, the retailer is legally obligated to take back your old appliance for disposal at least free of charge.

Specification

Model	DA02Z	Input Power	AC 220V-240V, 50/60Hz 2A
Frequency Band	2.4GHz	Output Power	PWM control, Max. 1A/CH
Protocol	IEEE 802.15.4 RF	Output Load	DIMSLIM or DIMSLIMLINE
Reception	-94dBm		(10 X 14W, 8 X 21W, 6 X 28W,
Output	Max. 0dBm		5 X 35W)

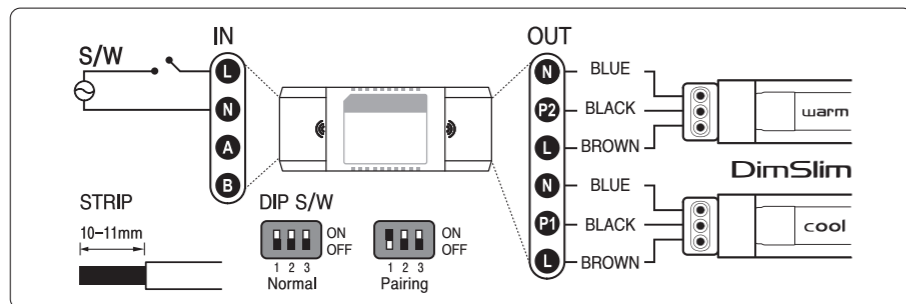
Function



1. Controls brightness and on/off of DimSlim / DimSlimLine through receiving signals from wireless remote controllers like FLS-2 or Medicon.
2. Controls 16 stages. (stage1: the lowest level, stage16: the highest level)

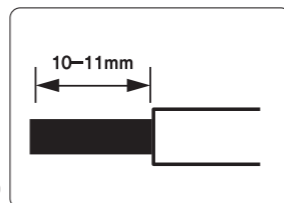
Operation

Wiring Diagram



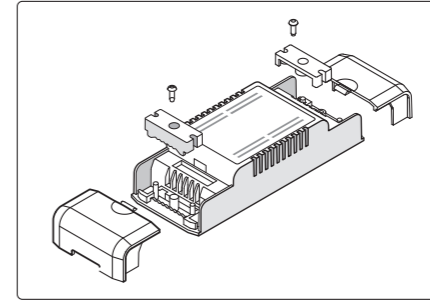
Wiring Method

1. Applicable electric wires : AWG 24-14(0.2-2.08mm²)
2. Stripped Length :10-11mm
3. Use electric wires after making it stright.
4. Push electric wires to the tip of hole.
5. Connect L/N/P cables as specified. (L-brown, N-blue, P-black)



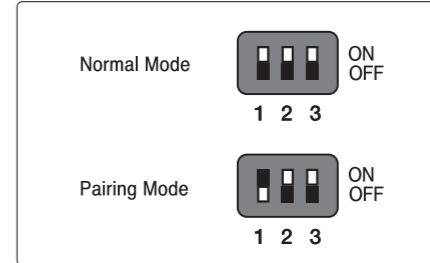
Connection

1. Please be sure to connect after power off.
2. Connect electric wires after removing stoper according to wiring method.
3. Fix tightly with screw after assembling.
4. Assemble cover after arranging electric wires.
5. Plug in



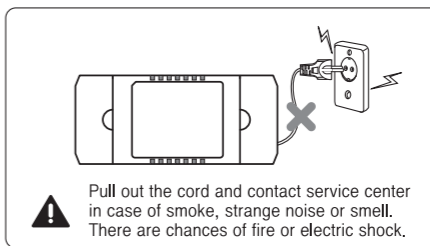
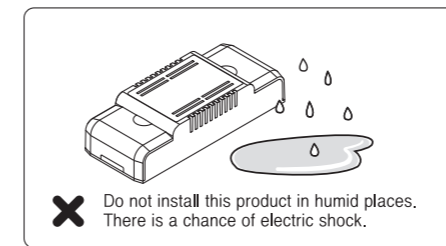
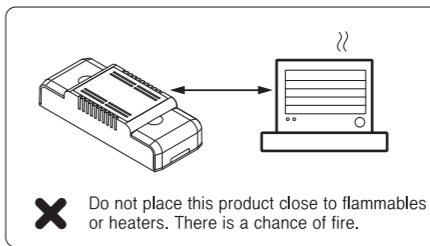
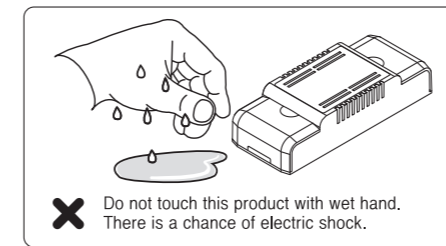
Pairing

1. Off the 1st DIP Switch of decoder.
2. Pair with wireless controller.
3. Refer to the manual of wireless controller for further pairing information.
4. Set as normal mode after pairing process.



Safety Precaution

Power Supply



Operation

