

1-10V Dimmer

4 wires to dimmer



The DP1D is both a 1-10V potentiometer dimmer and a 240V push on/off switch. The DP1D dimmer can be fitted to any dimmer plate. This is a simple wired dimming solution.

Product Code DP1D 10VDC MB
 Construction Plastic
 Fitting Length 86mm
 Fitting Width 86mm
 Fitting Depth 35mm



0/1-10V interface for dimming DimLine

The DA02V10 - 0/1-10V DimLine Interface is the new revolutionary pack from Feelux that enables the Dimline fluorescent fitting to be controlled using 0/1-10V. This allows them to be dimmed by many well known and respected dimming systems such as Lutron, Leax, Rako and Wise Controls. The interface allows 20 DimLine fittings to be connected to it in two rows of 10.

A booster is available to allow an extra 2 rows of 10 DimLine fittings if needed.

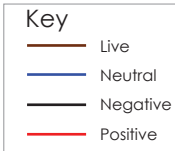
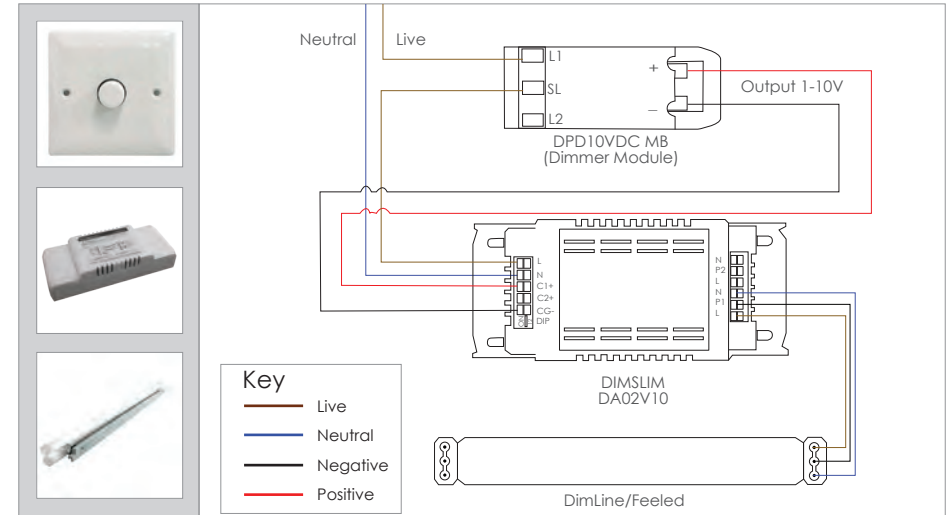
Product Code DIMSLIM DA02V10
 Construction Plastic
 Length 150mm
 Width 58mm
 Depth 35mm
 Voltage 240V
 Channels 2
 Max no. of Fittings 2 x 10 DimLine



U Dimming - Wired

Dimming DimLine with a Danlers dimmer and the DA02V10 interface.

The DP1D 10VC MB can replace any existing dimmer module. This gives the user the option to adapt their existing system so that a minimal amount of maintenance is required.



What do I need?

Name	DIMMER MODULE	FITTING	0-10V DIMLINE INTERFACE	COUPLER	POWER CORD
Part No.	DP1D 10VDC MB	DSLL14 DSLL21 DSLL28 DSLL24 DSLL35 DSLL39 DSLL54 LSLL10 LSLL20	DIMSLIM DA02V10	DSLLPTC DSLLPTC1 DSLLPTC2 DSLLPTC4 DSLLPTC6	DSLLOPC230
Quantity	1	1-20	1	1-18	1-2

Wired Dimming Switch

LNTV-F20BFAWM



The Lutron Lyneo LNTV-F20BFAWM is a 0-10V dimmer. It needs to be used in conjunction with a 1-10V Interface and will allow up to 20 DimLine fittings to be controlled.

Product Code	LNTV-F20BFAWM
Construction	Plastic
Maximum Wattage	300W
Length	85mm
Width	85mm
Depth	35mm



0/1-10V interface for dimming DimLine

The DA02V10 - 0/1-10V DimLine Interface is the new revolutionary pack from Feelux that enables the Dimline fluorescent fitting to be controlled using 0/1-10V. This allows them to be dimmed by many well known and respected dimming systems such as Lutron, Leax, Rako and Wise Controls. The interface allows 20 DimLine fittings to be connected to it in two rows of 10.

A booster is available to allow an extra 2 rows of 10 DimLine fittings if needed.

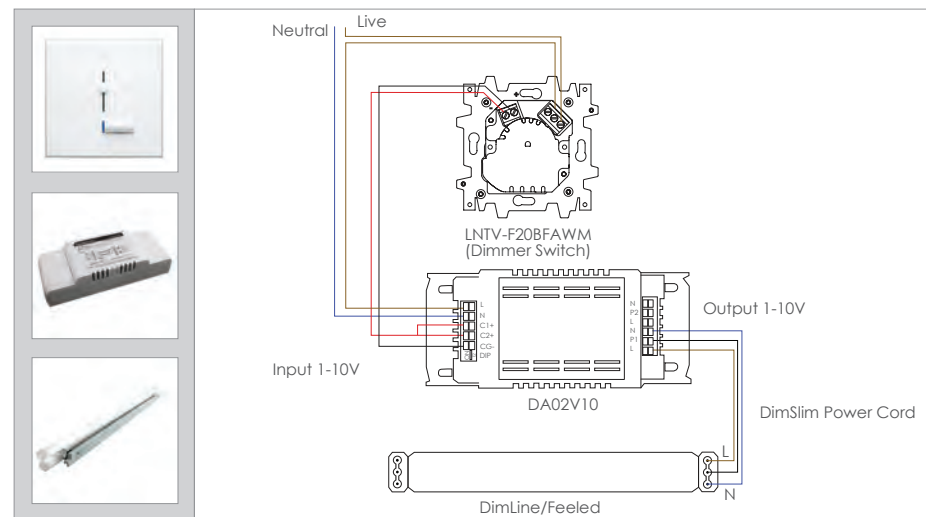
Product Code	DIMSLIM DA02V10
Construction	Plastic
Length	150mm
Width	58mm
Depth	35mm
Voltage	240V
Channels	2
Max no. of Fittings	2 x 10 DimLine



V Dimming - Wired

Dimming DimLine with a Lyneo Dimmer - Simple Wired Dimming.

The Lyneo dimmer can be placed in a standard single 35mm back box and provides a simple dimming option in small installations.



Key

—	Live
—	Neutral
—	Negative
—	Positive

What do I need?

Name	DIMMER MODULE	FITTING	0-10V DIMLINE INTERFACE	COUPLER	POWER CORD
Part No.	DP1D 10VDC MB	DSLL14 DSLL21 DSLL28 DSLL24 DSLL35 DSLL39 DSLL54 LSLL10 LSLL20	DIMSLIM DA02V10	DSLLPTC DSLLPTC1 DSLLPTC2 DSLLPTC4 DSLLPTC6	DSLLGPC230
Quantity	1	1-20	1	1-18	1-2

Wise Controls 1-10V 0 wires to dimmer

Wireless Dimming Switch WISESCENE 0-10V



The WisePack 0-10V Dimmer allows you to dim any 0-10V or 1-10V fluorescent fitting. No switch lines are needed making this controller very flexible as to where you want it to be located or concealed.

Use in conjunction with any 1 button switch or remote from our Wise Range of products. Simply press once to turn your fitting on or off or hold to dim up or down.

Switch Code	WISEIDDSW1 PS
WisePack Code	WISESCENE 0-10V
Construction	Metal
Height	86mm
Width	86mm
Depth	25mm
Plate Depth	1.5mm



1-10V interface for dimming DimLine

The DA02V10 - 0-10V DimLine Interface is the new revolutionary pack from Feelux that enables the Dimline fluorescent fitting to be controlled using 0-10V. This allows them to be dimmed by many well known and respected dimming systems such as Lutron, Leax, Rako and Wise Controls. The interface allows 20 DimLine fittings to be connected to it in two rows of 10.

A booster is available to allow an extra 2 rows of 10 DimLine fittings if needed.

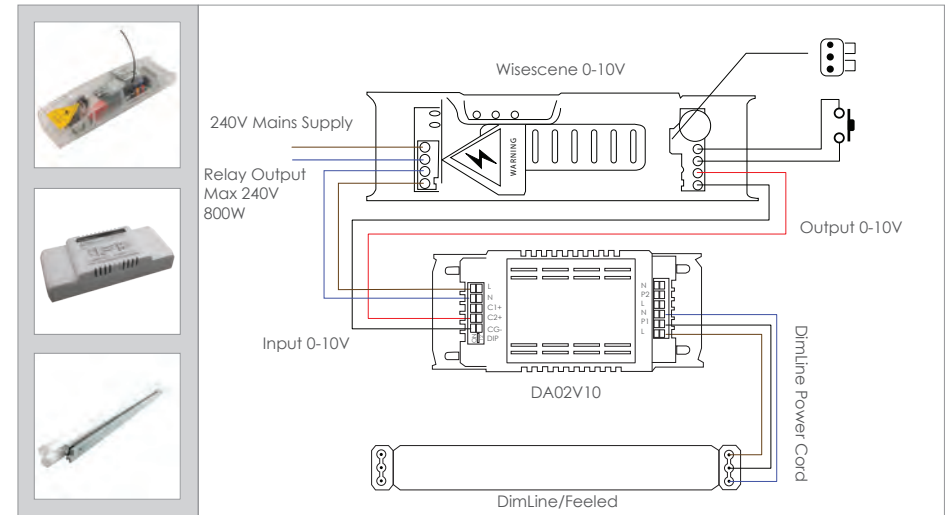
Product Code	DIMSLIM DA02V10
Construction	Plastic
Length	150mm
Width	58mm
Depth	35mm
Voltage	240V
Channels	2
Max no. of Fittings	2 x 10 DimLine



W Dimming Scene - Wireless

Dimming DimLine with Wise Scene Controls - Simple Wireless Dimming.

Using Wise Controls, 20 DimLine fittings (2 x lines of 10) can be controlled wirelessly from a single button. The switch is powered by a 3V CR2032 lithium battery, meaning switch lines are a thing of the past.



What do I need?

Name	WISESCENE 0-10V DIMMER	WISEPLATE AND MODULE	FITTING	0-10V DIMLINE INTERFACE	COUPLER	POWER CORD
Part No.	WISESCENE 0-10V	WISEIDDSW1 PS	DSLL14 DSLL21 DSLL28 DSLL24 DSLL35 DSLL39 DSLL54 LSLL10 LSLL20	DIMSLIM DA02V10	DSLLPTC DSLLPTC1 DSLLPTC2 DSLLPTC4 DSLLPTC6	DSLLOPC230
Quantity	1	1	1-20	1	1-18	1-2

Lutron 0-10V

4 wires to dimmer

Wired Scene Dimming Switch GXI3104

The Lutron GRAFIK Integrale can interface with the following systems: 0-10V and DSI. The Integrale has a minimum load of 10W per circuit.

GRAFIK Eye® preset dimming controls increase the functionality, flexibility and beauty of any space, from the simplest residential applications to the most complex commercial applications. One standard product family handles virtually any job.



Product Code	GXI3104
Construction	Plastic/Metal
Circuit Wattage	800W
Maximum Wattage	2300W
Fitting Width	226mm
Fitting Height	115mm
Fitting Depth	60mm
Back Box Depth	78mm



0/1-10V interface for dimming DimLine

The DA02V10 - 0/1-10V DimLine Interface is the new revolutionary pack from Feelux that enables the Dimline fluorescent fitting to be controlled using 0/1-10V. This allows them to be dimmed by many well known and respected dimming systems such as Lutron, Leax, Rako and Wise Controls. The interface allows 20 DimLine fittings to be connected to it in two rows of 10.

A booster is available to allow an extra 2 rows of 10 DimLine fittings if needed.

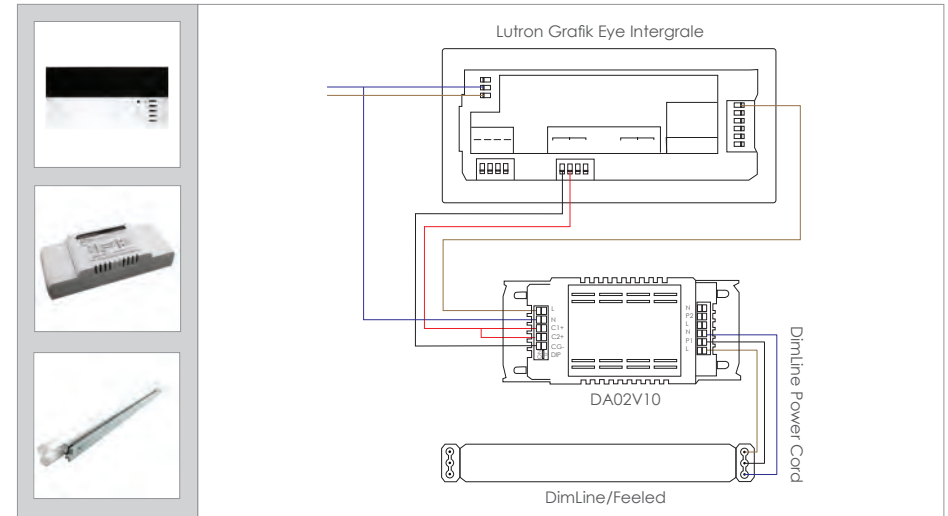
Product Code	DIMSLIM DA02V10
Construction	Plastic
Length	150mm
Width	58mm
Depth	35mm
Voltage	240V
Channels	2
Max no. of Fittings	2 x 10 DimLine



X Scene - Wired

Dimming DimLine with Grafik Integrale - Scene Setting Dimming.

The information below is based on a single circuit being utilised from the Grafik Eye Integrale. If all 4 circuits of the integrale are required simply repeat the instructions below for the other channels.



Key	
—	Live
—	Neutral
—	Negative
—	Positive

What do I need?

Name	LUTRON GRAFIK INTEGRALE	FITTING	0-10V DIMLINE INTERFACE	COUPLER	POWER CORD
Part No.	GXI3104TCE	DSLL14 DSLL21 DSLL28 DSLL24 DSLL35 DSLL39 DSLL54 LSLL10 LSLL20	DIMSLIM DA02V10		DSLLOPC230
Quantity	1	1-20	1	1-18	1-2

Rako Controls 1-10V 0 wires to dimmer

Wireless Scene Dimming Switch RDF800C



The RAKO 0-10V Fluorescent Pack is a compact 800W RF dimmer for 0-10V analogue fluorescents. The unit is connected in-line before the first light fitting, to enable dimming of up to 800W of 0-10V dimmable loads. The robust microprocessor design combines smooth reliable dimming with dynamic safety features such as auto-resetting over current, temperature shutdown and voltage surge protection. Its scene setting capabilities enable different moods to be created for a room.

Product Code RDF800C
 Construction Plastic
 Maximum Wattage 800W
 Height 86mm
 Width 86mm
 Depth 14mm



0/1-10V interface for dimming DimLine

The new DA02V10 - 0/1-10V DimLine Interface is the new revolutionary pack from Feelux that enables the Dimline fluorescent fitting to be controlled using 0/1-10V, this allows them to be dimmed by many well known and respected dimming systems such as Lutron, Leax, Rako and Wise Controls. The interface allows 20 DimLine fittings to be connected to it in two rows of 10.

A booster is available to allow an extra 2 rows of 10 DimLine fittings if needed.

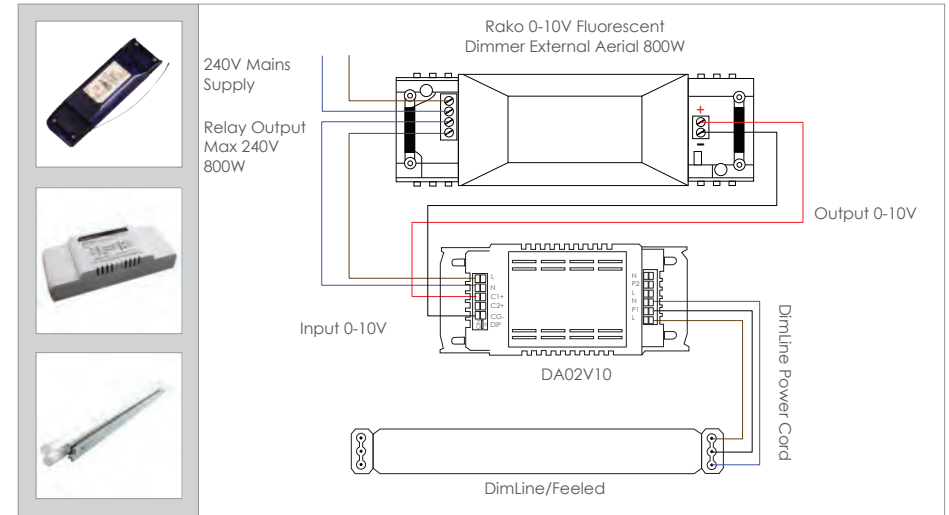
Product Code DIMSLIM DA02V10
 Construction Plastic
 Length 150mm
 Width 58mm
 Depth 35mm
 Voltage 240V
 Channels 2
 Max no. of Fittings 2 x 10 DimLine



Y Scene - Wireless

Dimming DimLine with Rako - Wireless Scene Dimming.

Using Rako, 20 DimLine fittings (2 x lines of 10) can be controlled wirelessly from a single wall panel. Powered by 2 x CR2016 lithium batteries, Rako Controls means switch lines are a thing of the past.



Key

- Live
- Neutral
- Negative
- Positive

What do I need?

Name	RAKO 0-10V FLUORESCENT DIMMER	RAKO WALL SWITCH	FITTING	0-10V DIMLINE INTERFACE	COUPLER	POWER CORD
Part No.	RDF800C	RCP07	DSLL14 DSLL21 DSLL28 DSLL24 DSLL35 DSLL39 DSLL54 LSLL10 LSLL20	DIMSLIM DA02V10	DSLLPTC DSLLPTC1 DSLLPTC2 DSLLPTC4 DSLLPTC6	DSLLOPC230
Quantity	1	1	1-20	1	1-18	1-2

* Mode 1-10V

8 wires to dimmer

Wired 1-10V RGB Colour Change

COLLCD512 BLK



The ColourStyle DMX 512 Channel is a feature-rich programmable DMX controller designed to offer comprehensive and intuitive control of all DMX fittings. It is ideal for both commercial and residential installations such as restaurants, bars, hotels, modern residential interiors, lightscapes, retail outlets, point-of-sale, illuminated signs and exhibition stands. It also has 3 0-10V control outputs, enabling easy control of Dimline

Product Code COLLCD512 BLK
 Construction Aluminium
 Fitting Length 119mm
 Fitting Width 70mm
 Fitting Depth 37mm
 Back Box 47mm



0/1-10V interface for dimming DimLine

The DA02V10 - 0/1-10V DimLine Interface is the new revolutionary pack from Feelux that enables the Dimline fluorescent fitting to be controlled using 0/1-10V. This allows them to be dimmed by many well known and respected dimming systems such as Lutron, Leax, Rako and Wise Controls. The interface allows 20 DimLine fittings to be connected to it in two rows of 10.

A booster is available to allow an extra 2 rows of 10 DimLine fittings if needed.

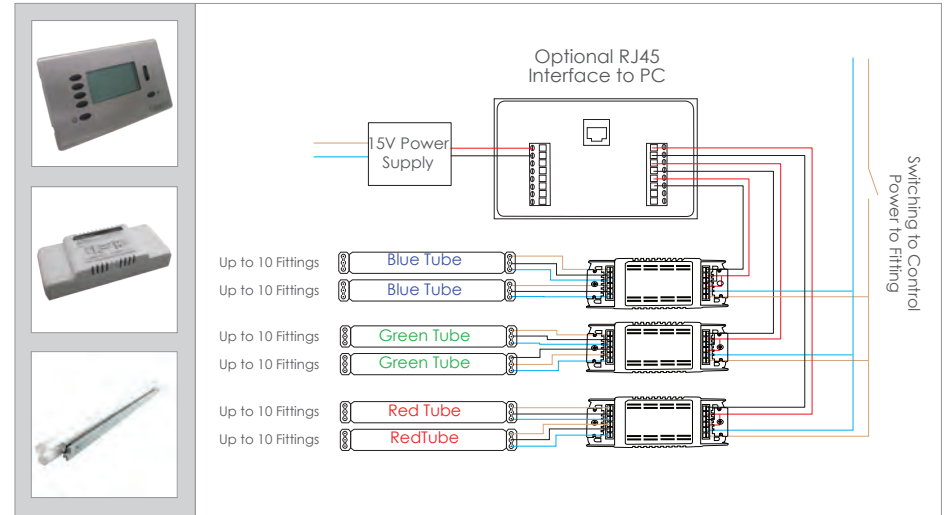
Product Code DIMSLIM DA02V10
 Construction Plastic
 Length 150mm
 Width 58mm
 Depth 35mm
 Voltage 240V
 Channels 2
 Max no. of Fittings 2 x 10 DimLine



Z Colour Change 1-10V

Dimming DimLine with Grafik Eye - Scene Setting Dimming.

Using DMX allows you to mix the fluorescent tubes together, blending the colours to create new colours. A minimum of 3 fluorescent tubes are required to make this work, a Red, a Blue, and a Green.



Key

- Live
- Neutral
- Negative
- Positive

What do I need?

Name	COLOUR DMX512 CHANNEL	0-10V DIMLINE INTERFACE	FITTINGS	COUPLER	POWER CORD
Part No.	COLLCD512	DIMSLIM DA02V10	DSLL14 DSLL21 DSLL28 DSLL24 DSLL35 DSLL39 DSLL54 LSLL10 LSLL20	DSLLPTC DSLLPTC1 DSLLPTC2 DSLLPTC4 DSLLPTC6	DSLLOPC230
Quantity	1	3	3-60	3-54	3-6

PIR 1-10V

5 wires to dimmer

Wired Dimming Sensor

CEFL PIRDD 10VDC



Ceiling flush-mounted PIR occupancy switch with daylight linked dimming. Bring lights on only when area is occupied. Automatically dim lights according to ambient light level, to maintain constant brightness of between 100 and 1000 lux (adjustable). Adjustable time lag before switching off. For suspended or plaster-board ceilings.

Product Code CEFL PIRDD 10VDC
 Construction Plastic
 Diameter 72mm
 Depth 65mm
 Cutout 64mm
 Timelag 10 sec - 40 min



0/1-10V interface for dimming DimLine

The DA02V10 - 0/1-10V DimLine Interface is the new revolutionary pack from Feelux that enables the Dimline fluorescent fitting to be controlled using 0/1-10V. This allows them to be dimmed by many well known and respected dimming systems such as Lutron, Leax, Rako and Wise Controls. The interface allows 20 DimLine fittings to be connected to it in two rows of 10.

A booster is available to allow an extra 2 rows of 10 DimLine fittings if needed.

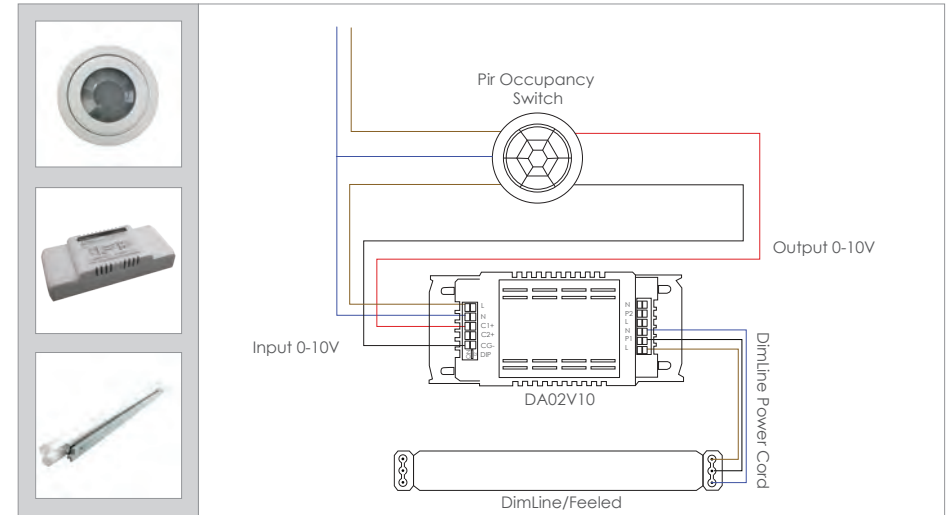
Product Code DIMSLIM DA02V10
 Construction Plastic
 Length 150mm
 Width 58mm
 Depth 35mm
 Voltage 240V
 Channels 2
 Max no. of Fittings 2 x 10 DimLine



Dimming Sensor

Dimming Sensor with Danlers Switch - Scene Setting Dimming.

The PIR Occupancy Switch has a permanent feed to it. Power and a control pair are then taken to the DA02V10 interface.



Key

- Live
- Neutral
- Negative
- Positive

What do I need?

Name	PIR OCCUPANCY SWITCH	FITTINGS	0-10V DIMLINE INTERFACE	COUPLER	POWER CORD
Part No.	CEFL PIRDD 10VDC	DSLL14 DSLL21 DSLL28 DSLL24 DSLL35 DSLL39 DSLL54 LSLL10 LSLL20	DIMSLIM DA02V10	DSLLPTC DSLLPTC1 DSLLPTC2 DSLLPTC4 DSLLPTC6	DSLLOPC230
Quantity	1	1-20	1	1-18	1-2