

- Hereby, FEELUX Co.,LTD declares that this DA02V10SE is in compliance with the essential requirements and other relevant provisions of Directive 1999/5/EC.

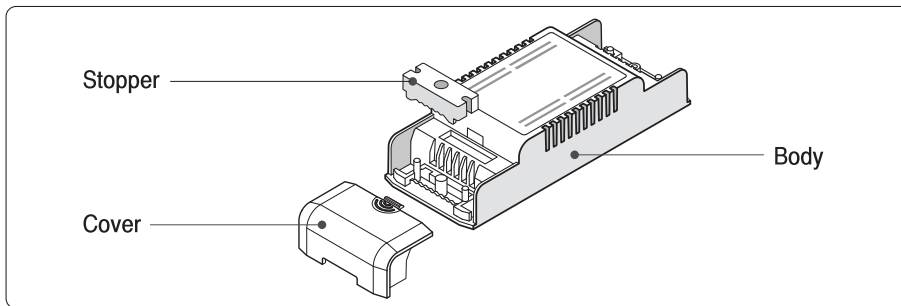
**WARNING INFORMATION:**

Meaning of crossed-out wheeled dustbin : Do not dispose of electrical appliances as unsorted municipal waste, use separate collection facilities. Contact your local government for information regarding the collection systems available. If electrical appliances are disposed of in landfills or dumps, hazardous substances can leak into the groundwater and get into the foodchain, damaging your health and well-being. When replacing old appliances with new ones, the retailer is legally obligated to take back your old appliance for disposal at least free of charge.

## Specification

<b>Model</b>	DA02V10SE	<b>Output Power</b>	220~240V, PWM output 2Ch
<b>Current Limit</b>	Max. 2A/Ch	<b>Output Load</b>	DimSlim or DimSlimLine
<b>Input Signal</b>	DC 0~10V/1~10V		Max. 10pcs/Ch
<b>Rated Input</b>	AC 220~240V, 50/60Hz		

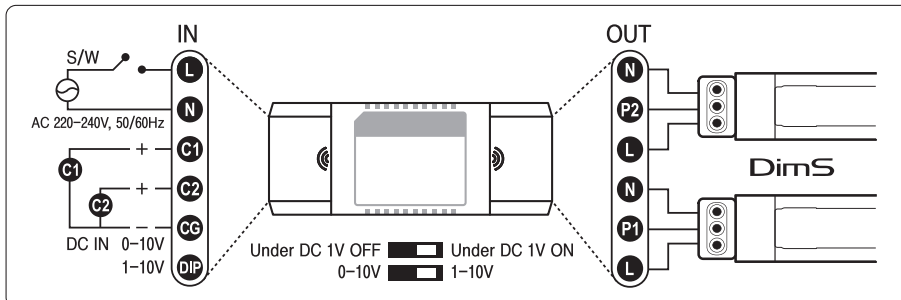
## Function



1. DA02V10SE is a decoder that controls Dimslim/Dimslimline by receiving dimming signal from 0~10V/1~10V controller.
2. Using DIP Switch 1, you can select signal mode (0~10/1~10V)
3. Using DIP Switch 2, you can preset the lamp off by dimming signal.
4. For lamp protection, the temperature sensor inside this decoder can prohibit dropping down the lamp light output under certain level when this product is operated in low temperature.
5. When you turn on the lamp for the first time, please keep the highest brightness for 5 minutes for best performance.
6. When you operate this product over 15°C, you can dim the lamps normally, from the lowest light output to the highest light output. But, when you operate this product below 5°C, connected lamps will unconditionally maintain the highest light output even if you input dimming signal. In this case, you can dim the lamps after preheat by maintaining highest light output for some minutes.

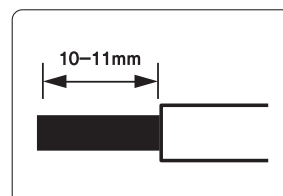
## How To Use

### Wiring Diagram



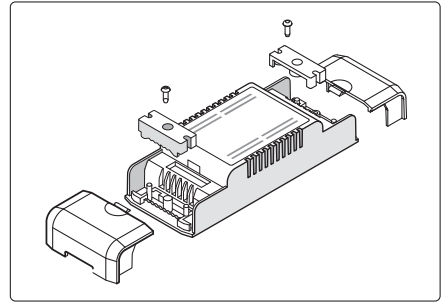
### How To Wire

1. Cable: AWG 24~14(0.2~2.08)
2. Strip length: 10~11mm
3. Straighten wires before use
4. Put the wires tightly into the terminal
5. N/L(Neutral and Live) should be connected as below
6. Controllers connected to C1 controls channel1 (P1), and controllers connected to C2 controls channel 2 (P2)



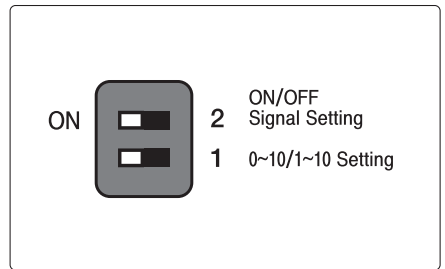
## Connection

1. Turn off the power before wiring
2. Connect the wires according to the wiring diagram after taking off the stoppers.
3. After the connection, fix the stoppers with screws.
4. Put on the covers after getting wires right.
5. Turn on the power.

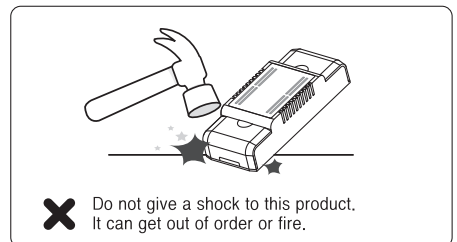
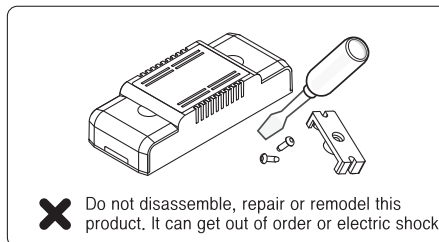
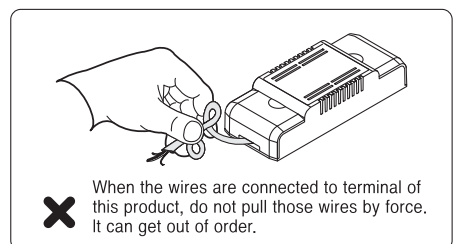
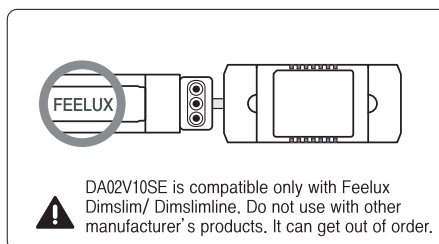
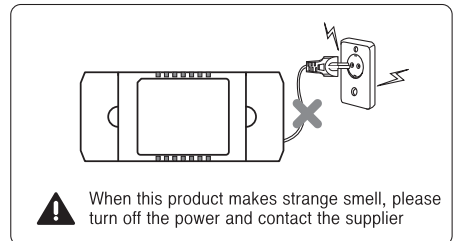
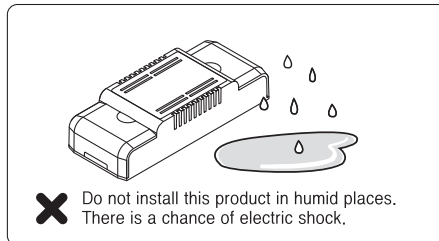
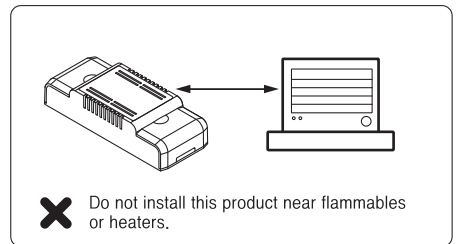
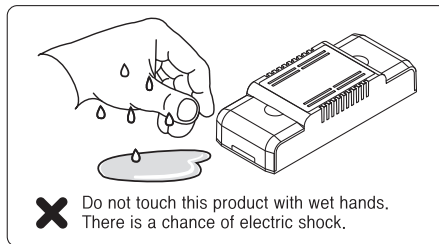


## Setting DIP switches

1. 1~10V/0~10V setting:  
For 1~10 signal, place DIP switch 1 to "ON"  
For 0~10 signal, place DIP switch 1 to "OFF"
2. ON/OFF Signal Setting:  
For turning off the lamps under DC 1V input from the controller, place DIP switch 2 to "ON"  
For maintaining minimum light under DC 1V input from the controller, place DIP switch 2 to "OFF"  
(In this case, lamps are turned off by the main power source.)



## ■ Safety Precaution



**■ Warranty** One-year warranty, with one-to-one free replacement after inspection (excluding breakage due to transportation & mis-handling)