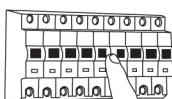
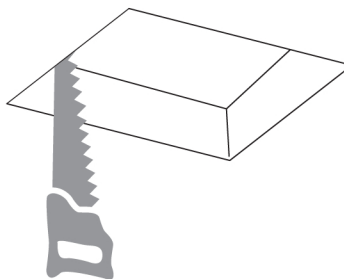
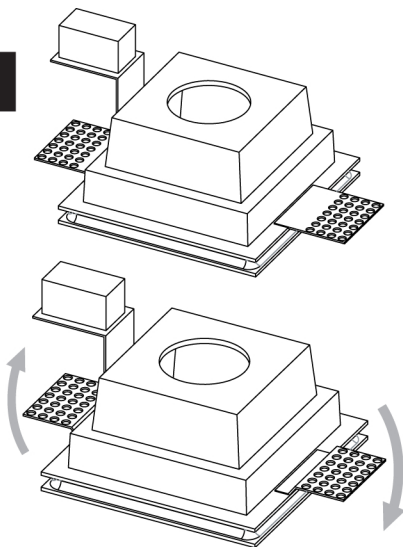
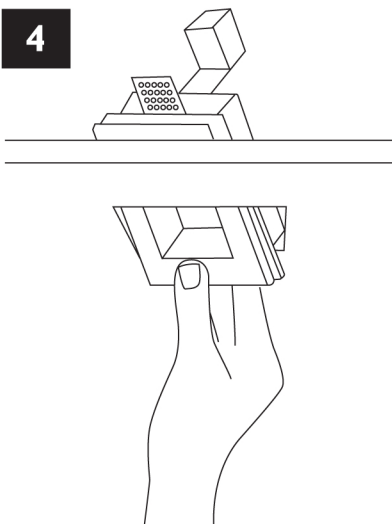
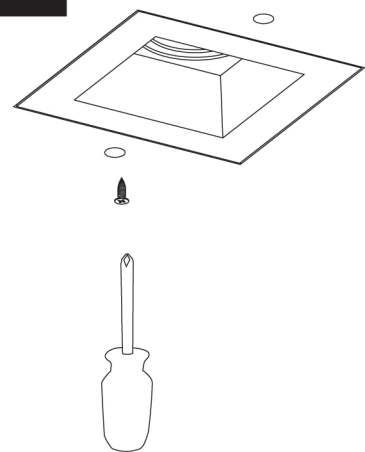
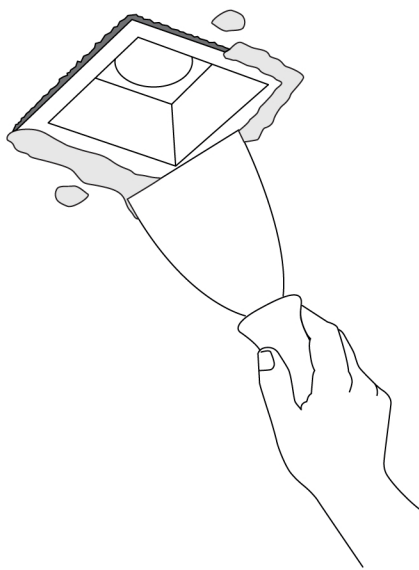


1

**TURN OFF POWER!
COUPEL LE COURANT!
STROM ABSHALTEN!
CORTE CORRIENTE!**

2

5654- 190mm x 117mm
5656 - 126mm x 123mm
5655 - 120mm x 120mm
5657 - Diameter 131mm

3**4****5****6****7**