

Product data

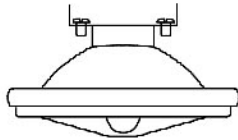


Pixo Pro XL QR111 is a very slim spotlight for low voltage QR111 lamps (Sylvania SA111). Pixo Pro XL is made of high quality polycarbonate-, PPS-plastics and aluminium. The fixture is available in white and silver colour. To be used on ceiling mounted tracks (Nanotrack LS1 or Microtrack LS3). Adjustability: turn 0 – 360°, tilt 0 – 90°. Integral electronic transformer, dimmable with dimmers that are suitable for electronic transformers. Barn doors accessory available.

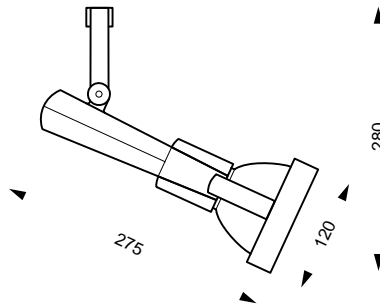
- 3075680** white with LS1 adapter, 0.72 kg
- 3075690** silver with LS1 adapter, 0.72 kg
- 3075700** white with LS3 adapter, 0.72 kg
- 3075710** silver with LS3 adapter, 0.72 kg

3006801 barn doors black, 0.15 kg

① See Lumiance data sheet [141.pdf](#) for examples of HIPAR51 photometric data.



Please contact your lamp supplier for photometric data of specific products.



QR111-LP max **100W** G53

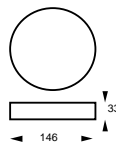


- 35W ⇒ 600 lm
- 50W ⇒ 930 lm
- 75W ⇒ 1450 lm
- 100W ⇒ 1800 lm

Monopoints allow adapter spotlights to be surface mounted. Cover up terminal boxes completely.

- 3020030** for LS3 adapter, grey 0.1 kg
- 3020010** for LS3 adapter, white 0.1 kg

Three circuit Monopoint



Double insulation.

Suitable for mounting on flammable materials such as wood.

850°C

Glow wire proof.



Suitable for installation in dry locations.



Safety certified.