

Product data

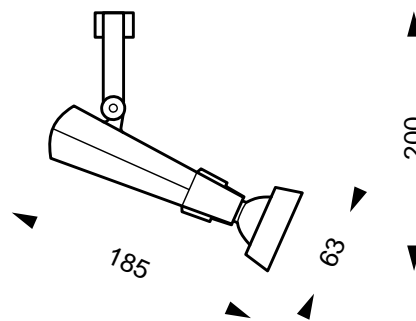


Pixo Pro XS Cool 50 is a slim spotlight for low voltage QR-CB51 lamps. Pixo Pro XS is made of polycarbonate and PPS. Available in white and silver colour. To be used on ceiling or wall mounted tracks (Nanotrack LS1 or Microtrack LS3). Adjustability: turn 0 – 360°, tilt 0 – 90°. Pixo Pro XS is supplied inclusive glare shield. Integral electronic transformer, dimmable with dimmers that are suitable for electronic transformers.

- 3075640** white with LS1 adapter, 0.28 kg
- 3075650** silver with LS1 adapter, 0.28 kg
- 3075660** white with LS3 adapter, 0.28 kg
- 3075670** silver with LS3 adapter, 0.28 kg

i See Lumiance data sheet [150.pdf](#) for examples of HIPAR51 photometric data.

Please contact your lamp supplier for photometric data of specific products.

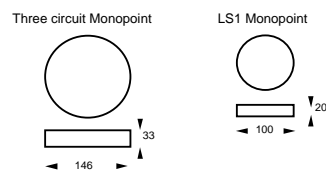


QR-CB51 max **50W** GU5.3/GX5.3

20W ⇒ 320 lm
35W ⇒ 630 lm
50W ⇒ 1000 lm

Monopoints allow adapter spotlights to be surface mounted to ceiling or wall. Cover up terminal boxes completely.

- 3020030** for LS3 adapter, grey 0.1 kg
- 3020010** for LS3 adapter, white 0.1 kg
- 3020060** for LS1 adapter, white 0.1 kg
- 3020070** for LS1 adapter, grey 0.1 kg



- Double insulation. Suitable for mounting on flammable materials such as wood.
- 850°C Glow wire proof.
- IP20 Suitable for installation in dry locations.
- Safety certified.

Trackpoint LS1 for Micro-/Picorail allows adapter spotlights with LS1 adapter to be used on Microrail 2 and Picorail 2

- 3001920** white, 0.03 kg
- 3001930** grey, 0.03 kg

