

# INSTALLATION INSTRUCTION

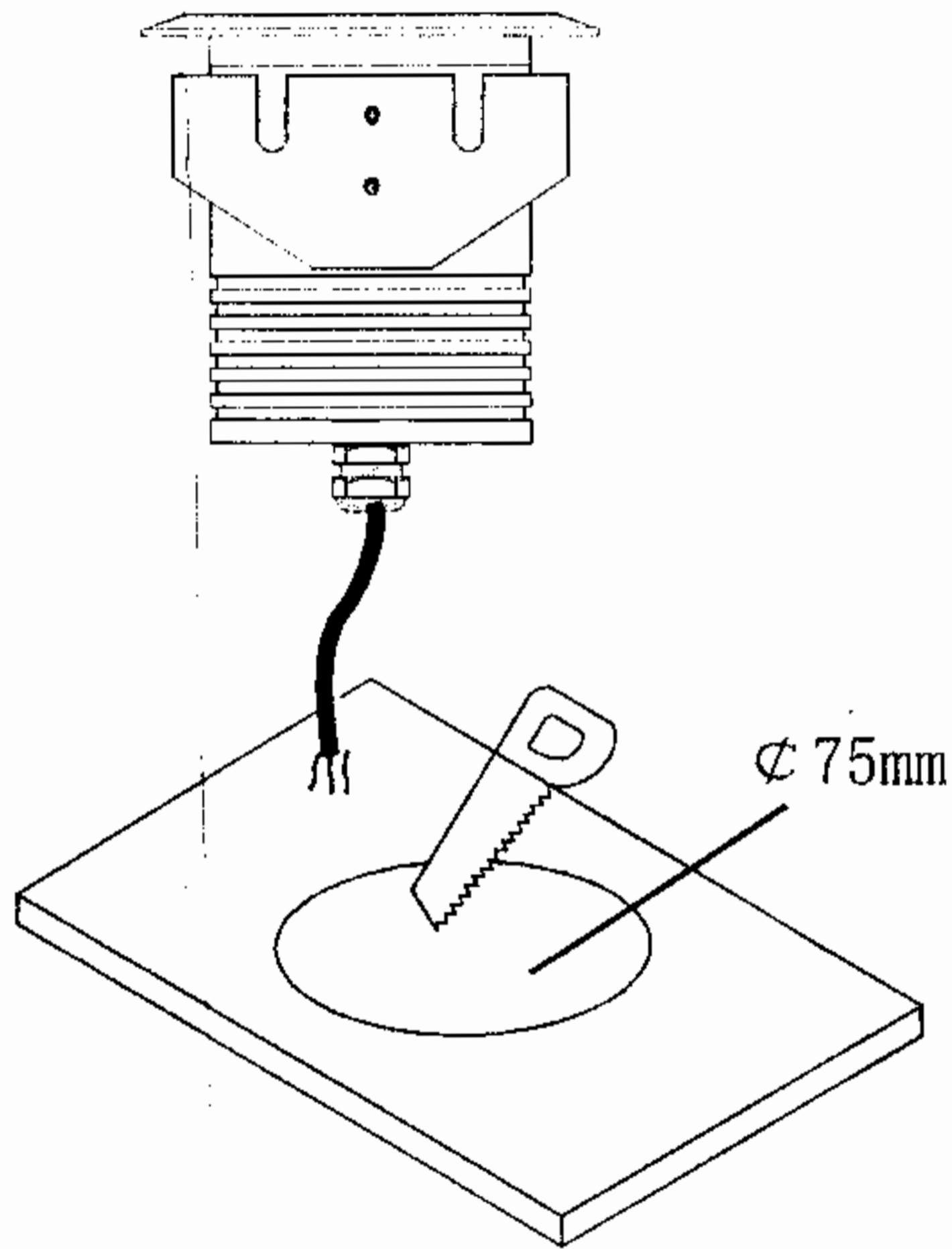


fig. 1

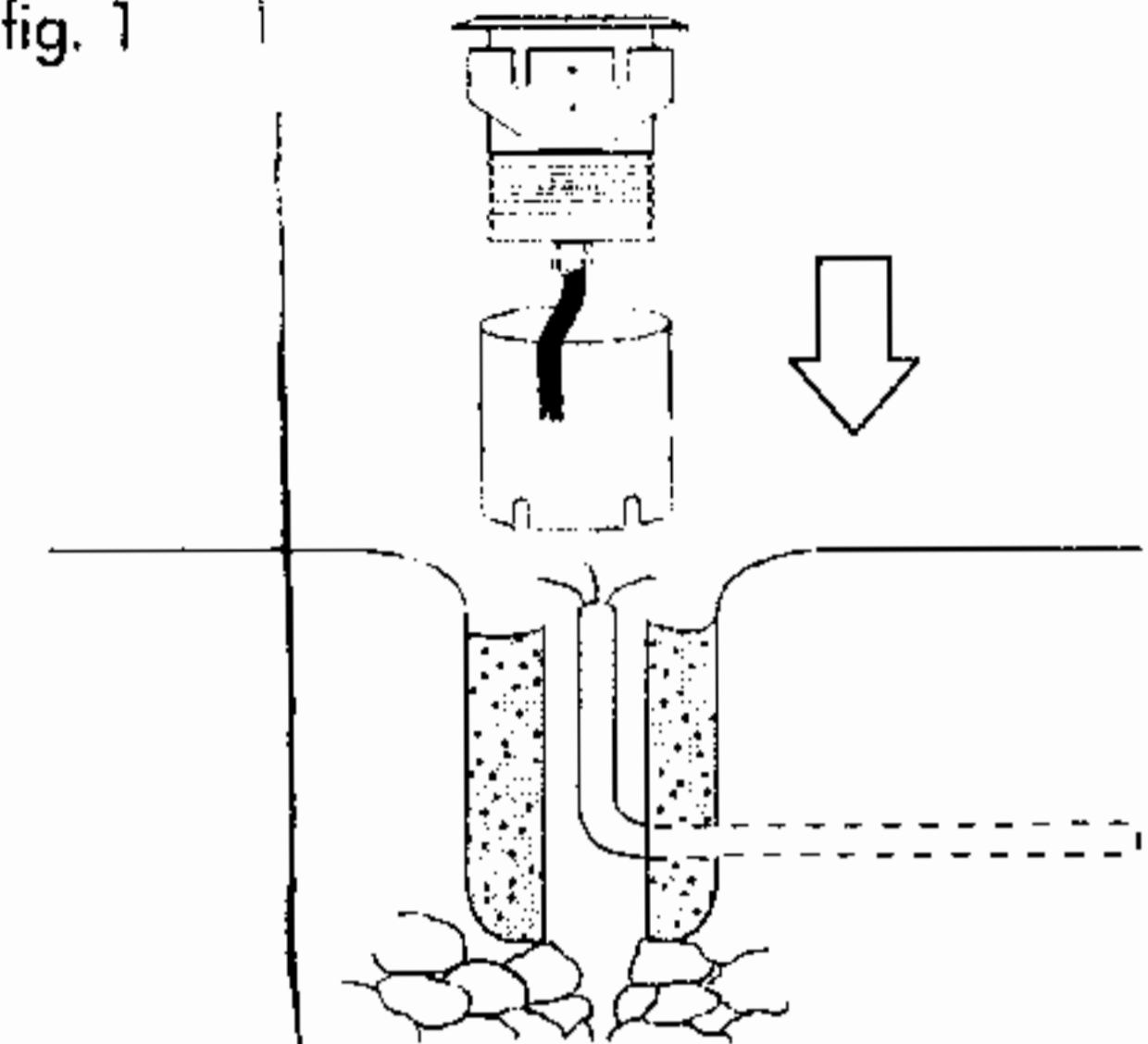
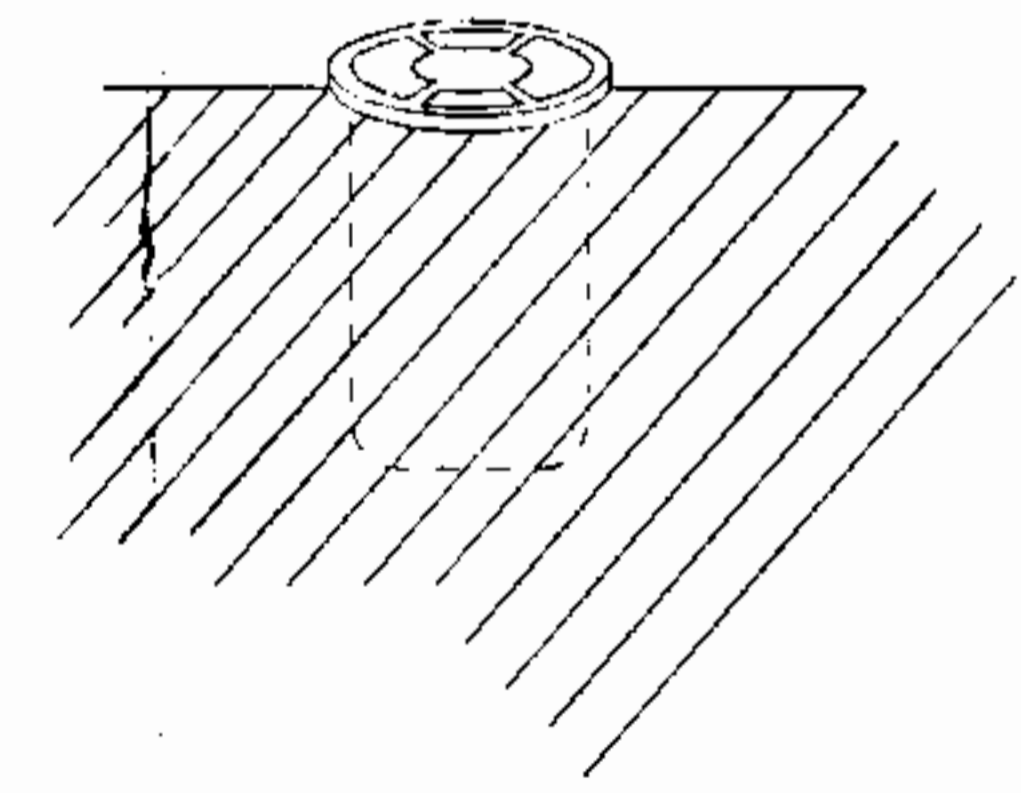


fig. 2



**WARNING! MUST BE OPERATED BY QUALIFIED ELECRICIANS ONLY!**

**Do NOT forget to swich off the power before the installation and the work of changing bulb.  
Do NOT forget to securely link the earthr parts which indicated inside the fitting.**

2070000180

