

Description:

| | |
|-----------------|--|
| Model No | AA-D600-40W |
| Actual Size | ∅ 600x13mm |
| LED Source | SMD2835 |
| Power | 40W |
| Color Temp | <u>Warm White : 2800-3200K</u> <u>Neutral White:4000-4500K</u> <u>Daylight White:5000-5500K</u> <u>Cool White: 6000-6500K</u> |
| Luminous (lm) | 4400±10%LM |
| Lighting effect | 110LM/W |
| CRI | 80-85Ra |
| P.F | 0.90 |
| Input Voltage | DC24V |
| Dimming | No |
| Work Temp | -20~80°C |
| Main Material | Aluminum, PMMA, PS |
| Frame color | White, silver |
| Installation | Recessed, surface mounted, Ceiling Hanging |
| Lifespan | More than 50000H |
| Warranty | 3 years |
| Certification | ROHS,CE |

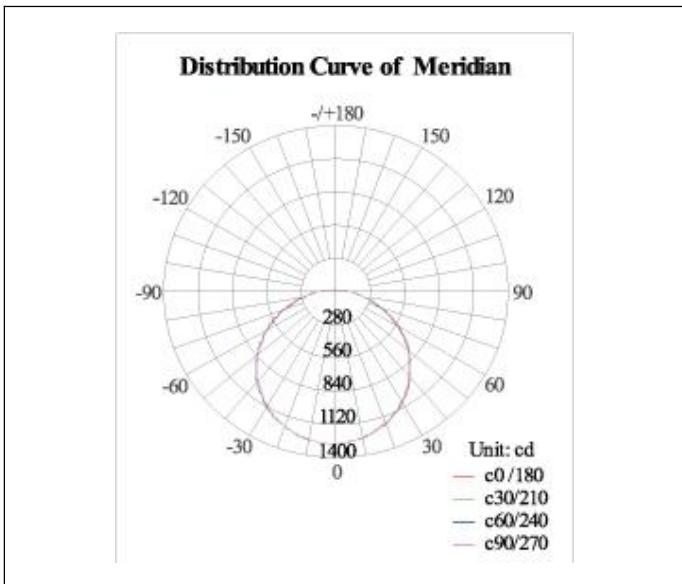
Products advantages:

- ▶ Using imported guide plate from Japan Mitsubishi /Taiwan CHIMEI, which is more than 80% for the rate of light guide.
- ▶ Pure aluminum frame with bright silver processing and good heat dissipation, and high-grade appearance as well.
- ▶ The light effect well without dark area, efficacy is more than 100 LM/W.
- ▶ With CE Isolation constant current power supply driver,Double PF.
- ▶ Unique optical design: even light distribution,without dizzy light and no light pollution and no frequent.
- ▶ Unique design, Embedded installation without the accessories.
- ▶ Available for Triac dimmer, 0-10V and DALI system, intelligent controls.

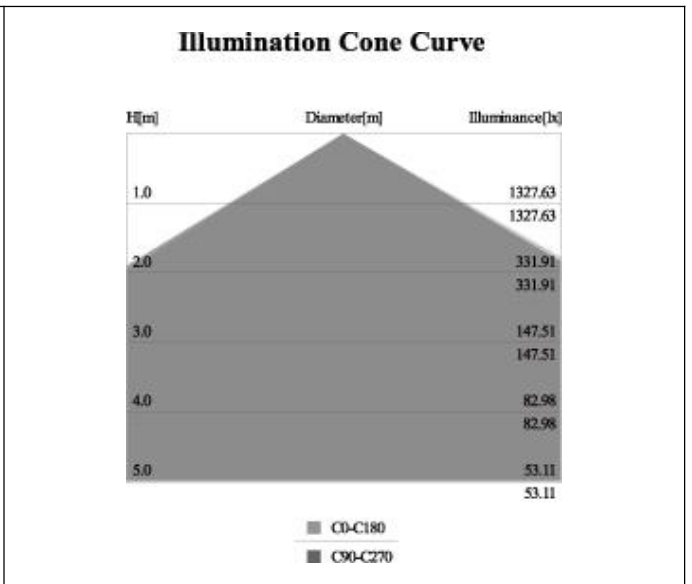
Product Pictures:



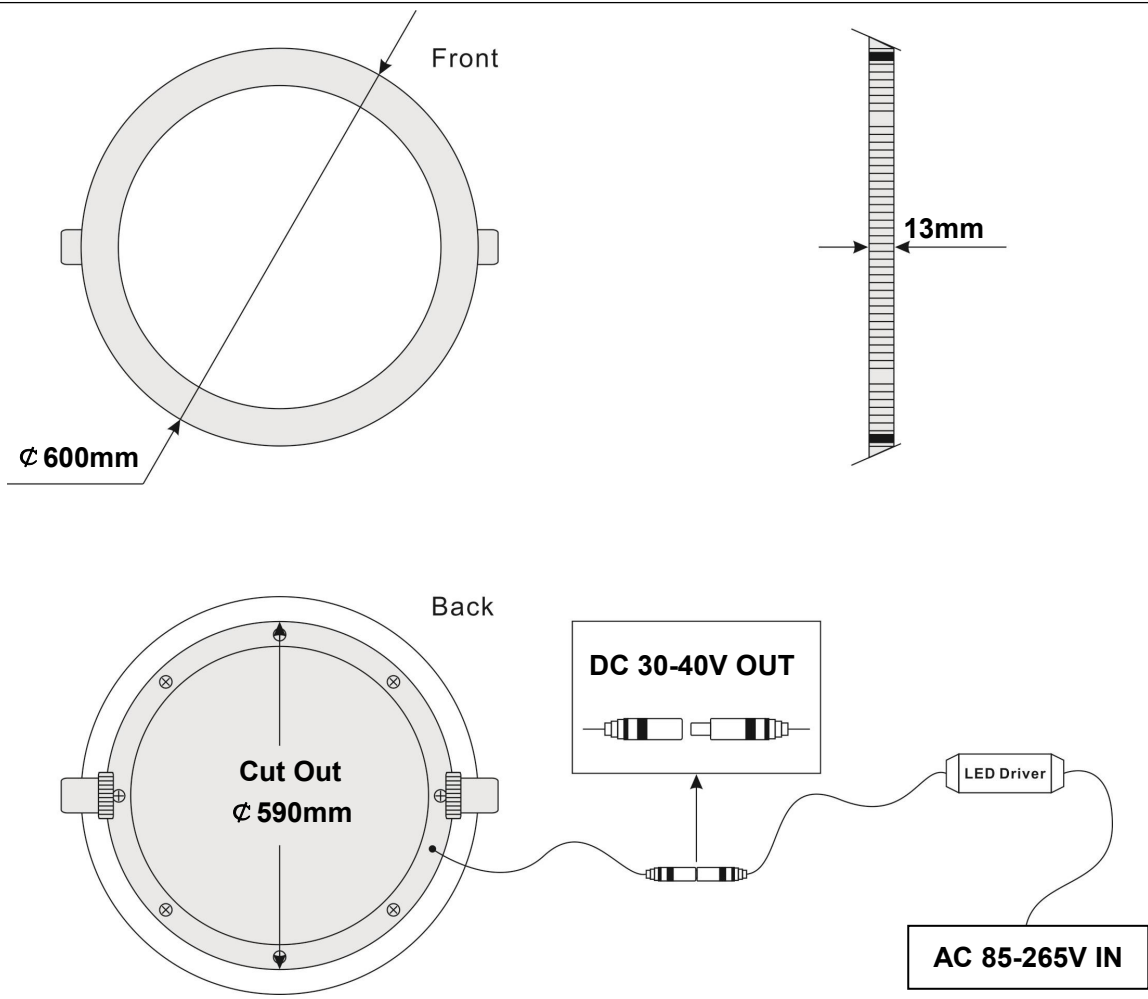
Light Distribution Curve:



Illuminance Diagram:



Size:

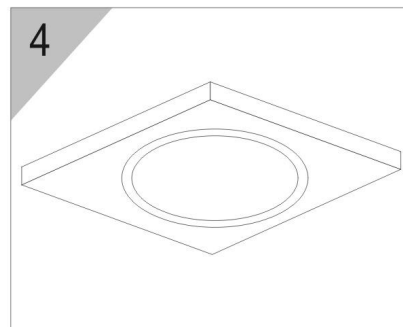
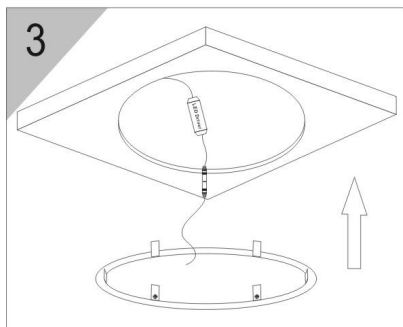
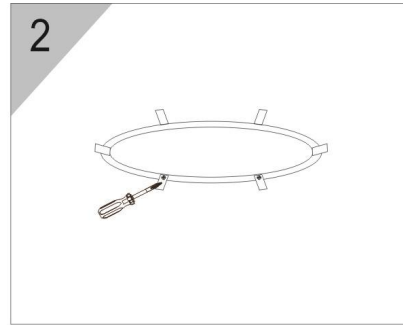
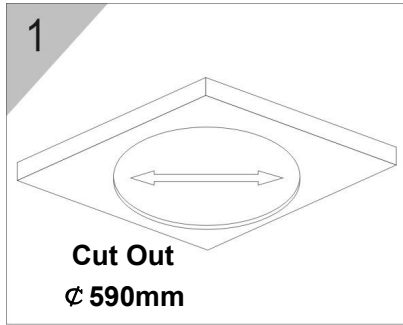


Installation Instructions:

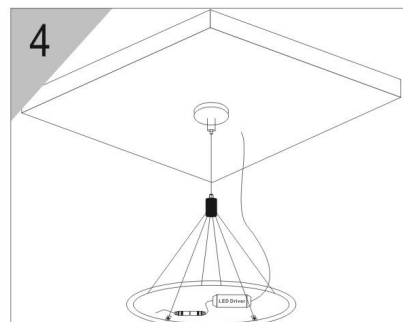
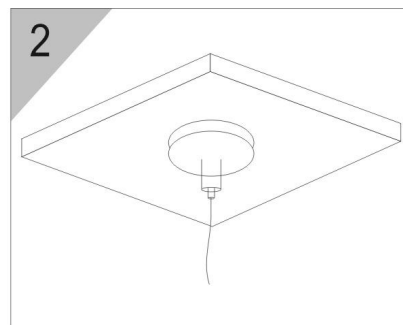
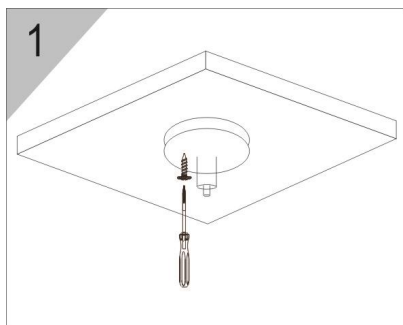
Install The Matters Needing Attention

1. Only professional electrician can install the lamp.
2. Check the lamp very carefully before installation.
3. Install the lamp follow up the installation procedure, make sure all parts safe.
4. Please request after service if trouble or doubt.

Built in Style:



Pendant style:



Application Scenarios:



- ★.Conference/Meeting rooms, Classrooms
- ★.Offices, Hospitals, Factories
- ★.Hotels, Offices or other Commercial Complexes
- ★.Residential/Institution Buildings
- ★.Places where energy saving and high color rendering index are needed