

UNPACKING

Remove contents from the packaging and lay out on cardboard or other protective surface to avoid damage. Check the contents are correct and free from damage before proceeding. If any parts are missing or damaged, please contact your supplier.

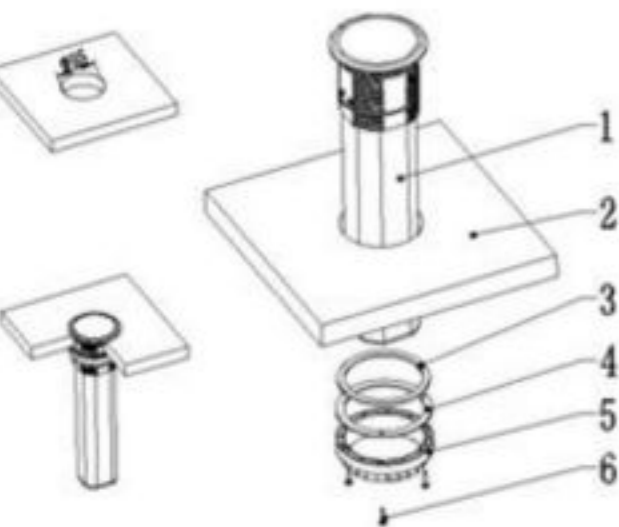
SAFETY INFORMATION

Install and use this product with care. Please read this instruction booklet thoroughly before installation and carefully follow all instructions. Do not use this product for any purpose or in any configuration not explicitly specified in this instruction manual. We hereby disclaim any and all liability for injury or damage arising from incorrect assembly, mounting or usage of this product.

CAUTION

This motorized pop-up socket must be securely installed on a solid horizontal surface.

INSTALLATION DIAGRAM



KEY

- | | |
|-----------------|---------------------|
| 1. Product Body | 2. Worktop |
| 3. Washer | 4. Washer |
| 5. Locking Ring | 6. Retaining Screws |

INSTALLATION INSTRUCTIONS

1. Use a suitable hole cutter to make a 95mm hole in the worktop (2).
2. Insert the product body (1) into the 95mm hole in the worktop.
3. Insert the retaining screws (6) through the holes on (5) and into the threaded holes of washer (4). Do not tighten.
4. Beneath the worktop, slide (3) and the assembled parts (4,5,6) across the product body (1).
5. When the washer (3) and assembled parts (4,5,6) from step 4 reach the threaded collar of product body (1), rotate clockwise until tight.
6. Use a screwdriver to tighten the retaining screws (6).
7. Connect the supplied power lead to the connector on the base of the product body (1).

KEY FEATURES

- **Accidental Operation Protection:** This product is fitted with an automatic delay timer to prevent accidental operation. Press the button on the top of the unit for 2 seconds to enable the motorized raise/lower function. This function works to protect both children and animals.
- **Light design:**
 - Dim Green (static): The unit is in a lowered position and is ready to be used.
 - Bright Blue (flashing): A raise operation is currently in progress.
 - Dim Blue (flashing): The unit has been paused during a raise operation.
 - Dim Blue (static): The unit is fully raised and ready for use.
 - Bright Green (flashing): A lowering operation is currently in progress.
 - Dim Green (flashing): The unit has been paused during a lowering operation.
 - Yellow (flashing): The anti collision function has activated during a raise operation.
 - Red (flashing): The anti pinch function has activated during a lowering operation.

Dimensions: 490mm x 112mm
Hole Cut Out Diameter: 95mm
Rated Voltage Range: AC95V-250V
Rated Frequency: 50Hz / 60Hz
Rated Current: 13A
USB Supply: 1A