

LED BLAZE DOWNLIGHT

Figure 1

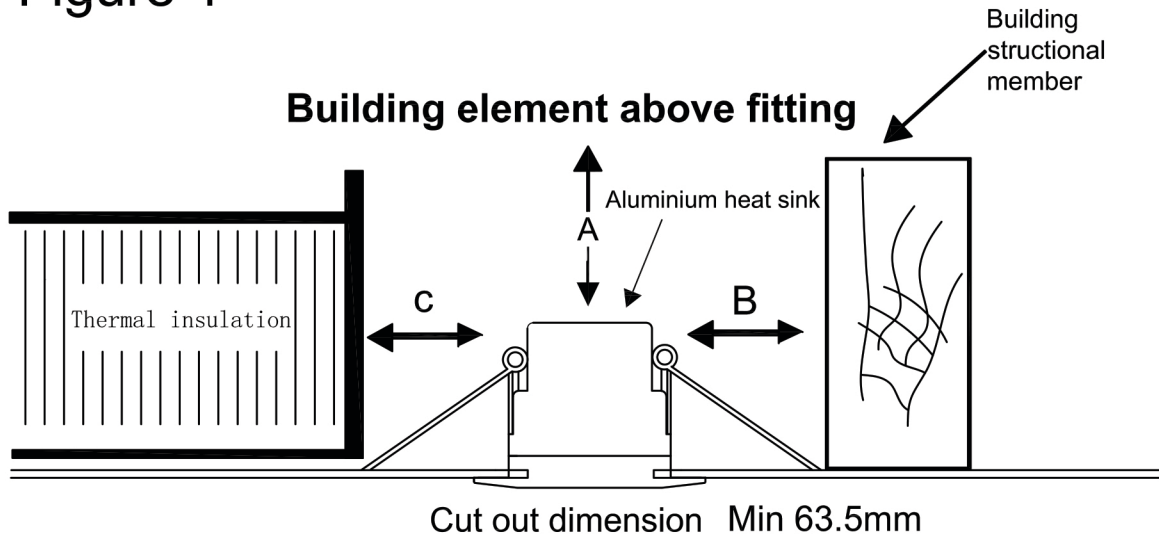
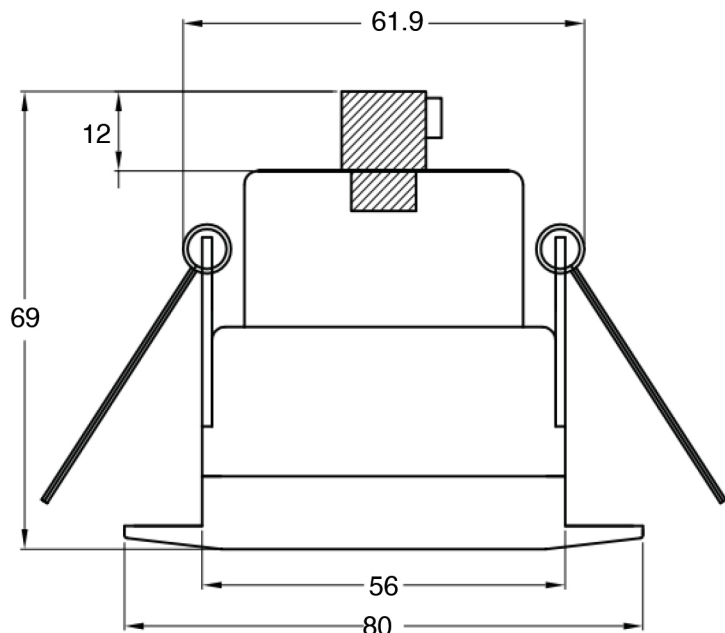


Table 1
for DL801

Dimension	
A-clearance above the top of heat sink	50mm
B-side clearance to structural member	50mm
C-clearance to thermal insulation	50mm

White code - FIRE BLAZE DL801
 Chrome code - FIRE BLAZE DL802
 Nickel - FIRE BLAZE DL805

- Fire Rated - Part B
- Complies with October 2010 Part L regulations
- Soundproof - Part E
- Waterproof, double insulated, IP64 - Part P
- Beam Angle 45°
- Cree LED



Cut out dimension : Min 63.5mm