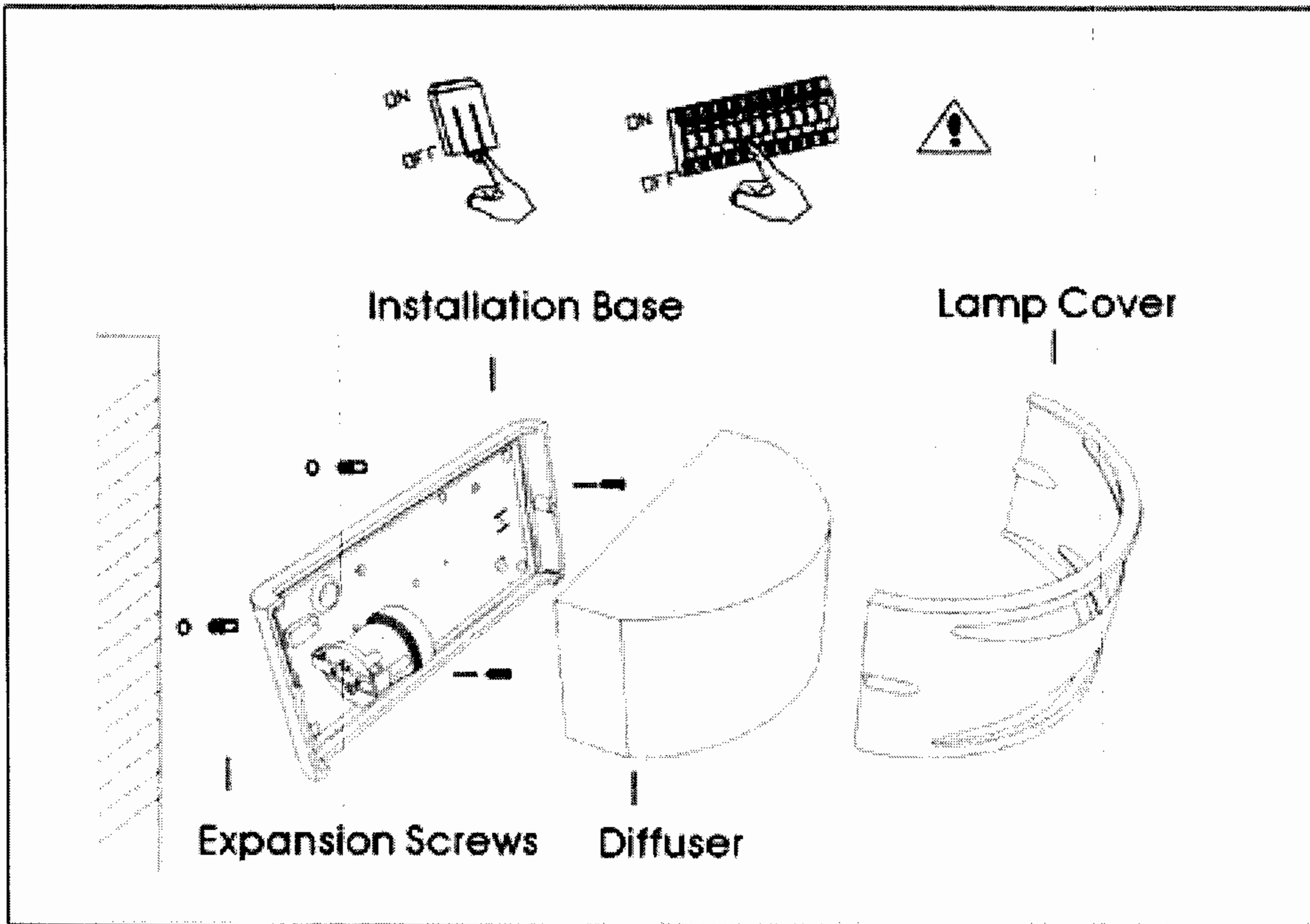


INSTALLATION INSTRUCTION



WARNING! MUST BE OPERATED BY QUALIFIED ELECTRICIANS ONLY!

Do NOT forget to swich off the power before the installation and the work of changing bulb.

Do NOT forget to securely link the earthr parts which indicated inside the fitting.

2070000191

