

Installation & Wiring Instructions

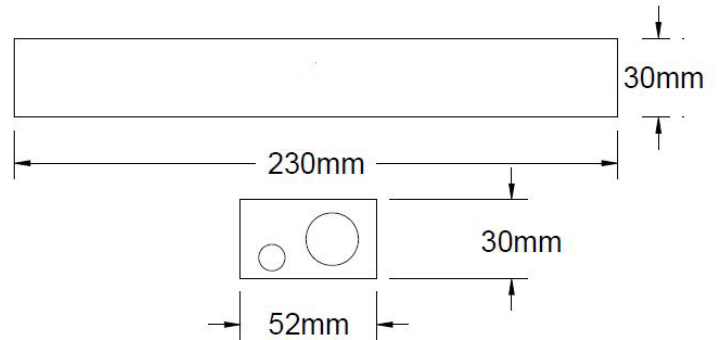
TED/4/240/TP60 Primary Conversion Kit

PLEASE READ THESE INSTRUCTIONS BEFORE COMMENCING INSTALLATION & LEAVE WITH END USER

Description:

The TED/4/240/TP60 emergency lighting unit is a remote pack designed to fit through a 60mm aperture and to convert a wide range of mains voltage LEDs e.g. T8 LED tubes and GU10. The unit will run these lamps with DC in emergency so the lamp must be suitable for low power DC operation. Please check that the mains rated LED chosen is suitable for conversion with the TED/4/240/TP60. The TED/4/240/TP60 is designed to be installed by breaking into the mains supply of a suitable mains rated lamp. The TED/4/240/TP60 allows the LEDs to be operated as normal under mains healthy conditions and operated at reduced light output in an emergency.

The TED/4/240/TP60 automatically adjusts the output LED voltage and current to provide the best match between the battery and the load, providing maximum illumination.



TED/4/240/TP60

230-240V AC LED loads

Open Circuit Voltage (U-OUT) = 300 Volts

Specification:

Input Voltage	230-240 Volts AC 50/60 Hz
Input Current & PF	22mA - $\lambda = 0.88$
Duration	3 hours
Ambient Temp.	0°C to + 50°C
Max Case Temperature	70°C
Max Battery Temperature	55°C
Terminal Blocks	0.5-1.5mm ² Screw
Battery Fuse	Internal
Battery Discharge Current	1000mA \pm 150mA
Discharge Voltage Limit	3.0V
Ingress Protection	IP20
Battery Pack	4.8V 4.5Ah NiCd
Charge Current	200mA \pm 50mA
Recharge Period	24 Hours
Module Size (L x W x H)	230mm x 52mm x 30mm
Supply Fuse - Mains In	20x5mm 1A Quick Blow
Supply Fuse - Mains Out	20x5mm 3.15A Quick Blow
Weight	1.1Kg
Insulation Between Supply and Battery	Double Reinforced

Warning

Avoid running the LED mains driver and emergency pack without the load connected. Failure to do so may result in damage to the LED array

Important

It is recommended that the remote kit is installed by a competent person ensuring the installation complies with the necessary standards. Liteplan accept no responsibility for injury, damage or loss, which may arise as a result of incorrect installation, operation or maintenance.

The conversion requires an unswitched supply for charging the battery and a switched supply for maintained operation.

ISOLATE BOTH MAINS SUPPLIES AND DISCONNECT THE BATTERY BEFORE INSTALLATION OR MAINTENANCE.

Conversion

When converting a luminaire using a remote conversion pack, observe the following points:-

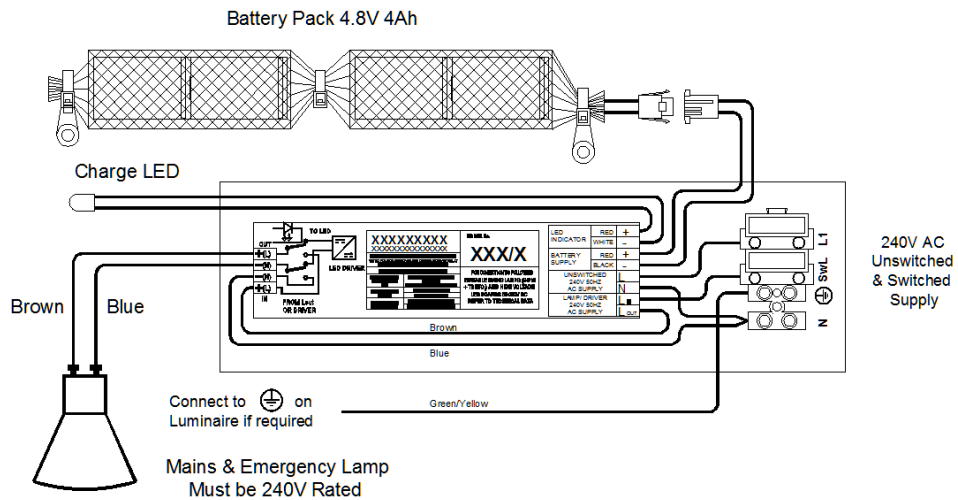
1. Connect the output pair from the emergency pack to the input of the LED load.
2. Install the remote pack such that they will operate within their temperature ratings.
3. Keep the interconnecting loom as short as possible.
4. Requirements for 'F' markings must be observed.
5. Connect the Switched & Unswitched supplies to the Terminal Block in the TP60 enclosure.
6. Identify clearly the NEW Un-switched supply.
7. Ensure the LED Charge Indicator is clearly visible.

Installation & Wiring Instructions

TED/4/240/TP60 Primary Conversion Kit

PLEASE READ THESE INSTRUCTIONS BEFORE COMMENCING INSTALLATION & LEAVE WITH END USER

Typical Conversion Wiring Diagram



Testing/Commissioning:

- Ensure the load is connected.
- Connect the battery.
- Switch on the Unswitched Supply - Check the Charge LED illuminates.
- Switch on the Maintained Supply - Check the LED illuminates as normal.
- Switch off the Maintained Supply.
- Switch off the Unswitched Supply - Check the Charge LED extinguishes and the load LED illuminates at a reduced output.
- Enter the commissioning date on the Battery Pack. Switch on the Unswitched Supply

Luminaire Ref/Location			In Case of difficulty, contact the Installation Engineers:-							
.....			Tel:							
Full Recharge Time 24 Hours			Duration 3 Hours				Lamp Type - LED			
ROUTINE TEST RECORD										
	Year 1		Year 2		Year 3		Year 4		Year 5	
	Signed	Date	Signed	Date	Signed	Date	Signed	Date	Signed	Date
Monthly Test										
Functional										
Functional										
Functional										
Functional										
Functional										
Functional										
Functional										
Functional										
Functional										
Functional										
Three Hour										