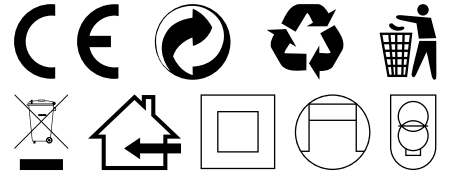


# SMART

WIRELESS LIGHTING



## 5M LED SMART LED FLEXI-STRIP KIT RGB + TUNEABLE WHITE

INSTRUCTIONS RELEVANT TO LED SMART FLEXI-STRIP KIT 5m PRODUCT ONLY

**THANK YOU for buying this product.** To help ensure this LED Flexi-Strip gives complete satisfaction please only use it according to the following instructions, and then pass the instructions to the appropriate person for retention and future reference.

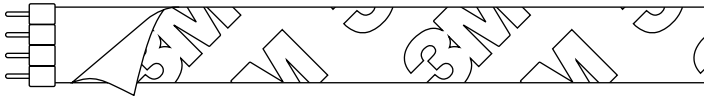
### Warranty

This product has been manufactured to strict quality standards and comes with a three-year manufacturer's warranty. If you have any cause for complaint then please contact the dealer where you purchased the product who will handle any replacements, where applicable.

### Safety

1. Do not operate the SMART LED Flexi-Strip if damage is visible.
2. If used on the floor the cable must be protected against unnecessary damage.
3. Make sure the power is switched off when cleaning or mounting the SMART LED Flexi-Strip.
4. Do not look directly at the LED chips.
5. Do not cover the LED Flexi-Strip while in operation.
6. Do not connect the SMART LED Flexi-Strip to other styles of LED Strip Light or other electrical devices.
7. Do not connect your SMART LED Flexi-Strip to a physical dimmer switch, dimming is achieved via a smart app or home hub device only.

### How to Affix the LED Flexi-Strip Light to a Surface

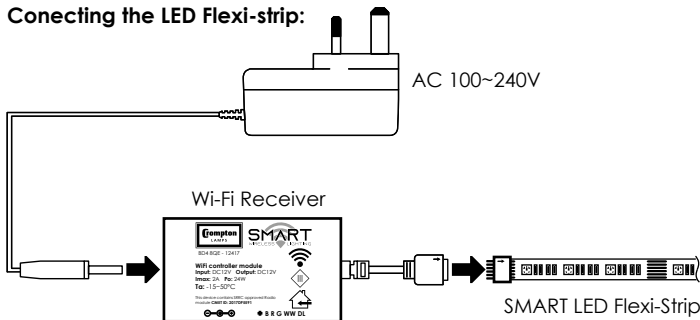


1. Peel back the 3M Adhesive backing.

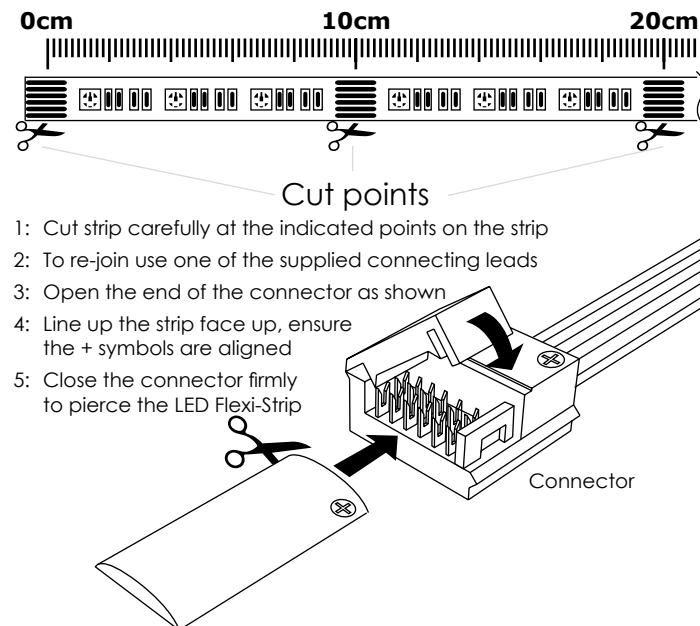


1. The surface must be clean and free from dust and grime.
2. Press the LED Flexi-Strip firmly into place.

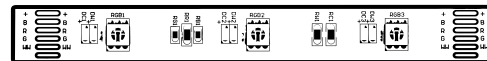
### Connecting the LED Flexi-strip:



### Cutting/Re-connecting the SMART LED Flexi-Strip:



## LED Flexi-Strip Kit Quick Start Guide



### Download the Tuya Smart app



### Connect your smart device to a 2.4GHz Wifi Network

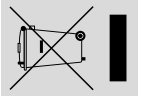


- Launch the **Tuya Smart** app and follow the first time setup instructions
- Place your smart lights in **Discovery Mode**  
**Press and hold the reset button on the Wi-Fi receiver** (approximately 7 seconds)
- The lights should now **flash** rapidly to indicate discovery mode is on
- Click + to add devices
- Select **Lighting Devices** and enter your WiFi password
- The app will now **discover** your lights
- **Edit** the light name  $\angle$   
e.g. "Main Light", "Wall Light", "Kitchen", "TV"
- Select the **room** in which the lights are located
- **Control** your lights and setup **events** and **timers** via the Tuya smart app
- The Tuya smart app can be controlled by **voice** command or directly with the on-screen interface
- For full functionality or to set up timers or events view the **FAQ** from the **Me** tab.

**!** To connect your new smart lights to your home hub please follow your home hubs setup instructions for adding Tuya Smart devices

### Environmental Protection

Waste electrical products should not be disposed of with household waste. Please recycle where facilities exist. Check with your Local Authority or retailer for recycling advice.



**Contents:**  
1 x 5m reel of LED Flexi-Strip  
2 x 15cm Connecting Leads  
1 x Wi-Fi Controller Module  
1 x Power Supply with LED Driver and UK plug