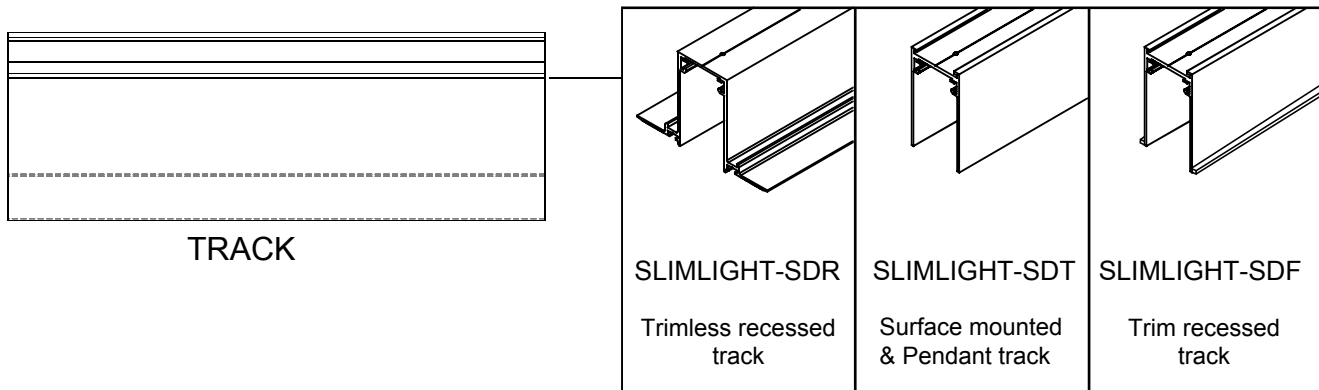


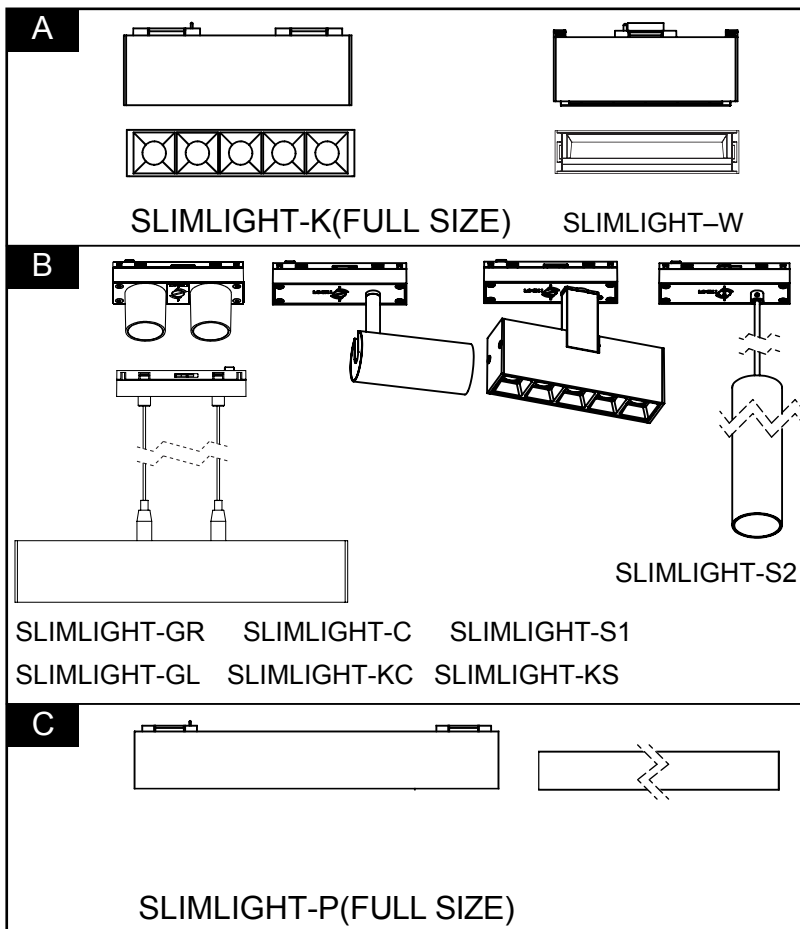
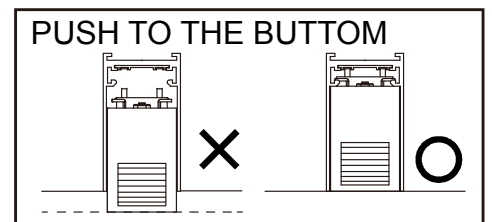
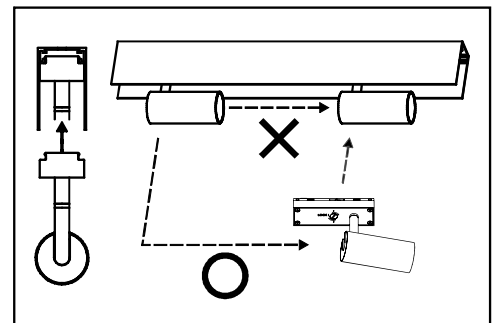
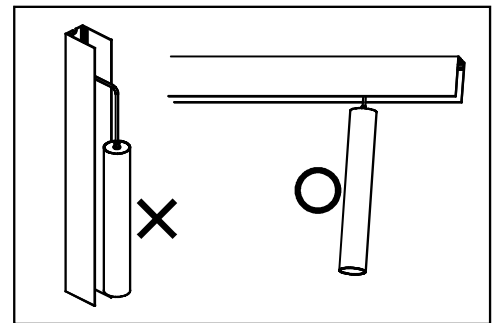
INSTALLATION INSTRUCTION

1. The fixture is for LED.
2. Before installation, make sure that the power supply is off.
3. Follow the steps as down below for installation or replacement of bulb.
4. After finishing every step, tighten the screws, have the fixture fixed, then connect the power supply.
5. It is recommended that these products are installed by a qualified electrician.

Assembling diagram:



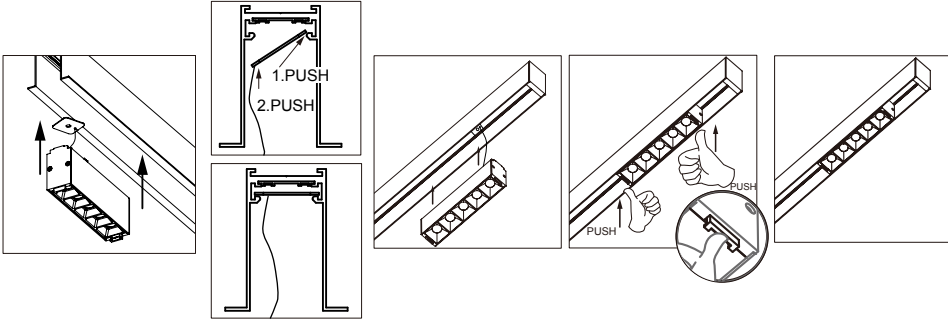
NOTE



IP20



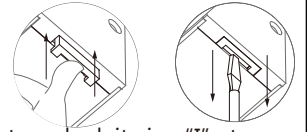
A • Installation only for SlimLIGHT-K(FULL SIZE)



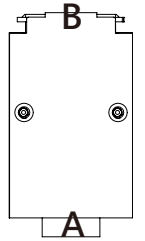
1. Before installation, please check where the rectangle button at "A" lock mechanism shall be in protruding and clip at "B" not protruding. If not, to use "I" type screwdriver to press the rectangle button of "A" to get protruding.



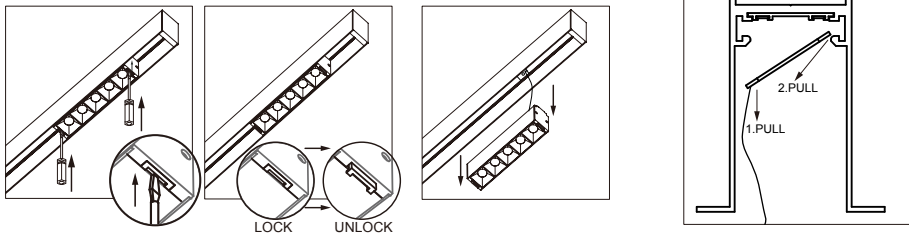
2. Install the lighting fixture with the track flush, and then press upward the rectangle button of "A" lock mechanism to fix fixture on track firmly.



3. For removing, to unlock it via "I" type screwdriver to press the rectangle button of "A" to get protruding and then move-out lighting fixture.



Disassemble

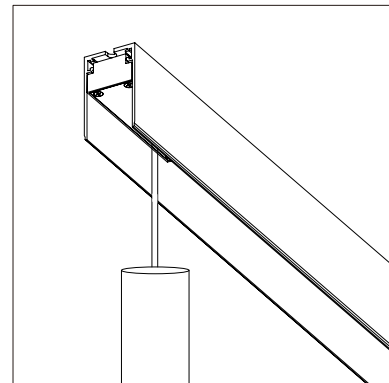
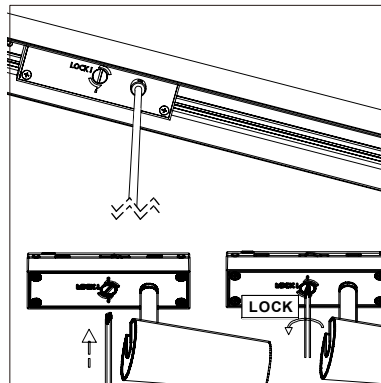
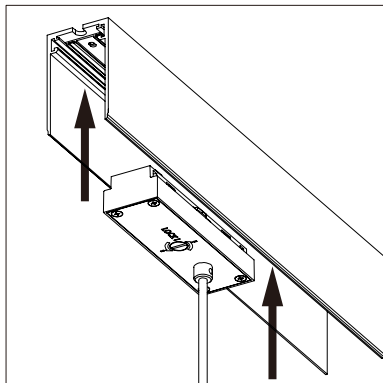


B • Installation only for Slimlight-(GR, GL, C, S) Assemble

step 1

step 2

step 3

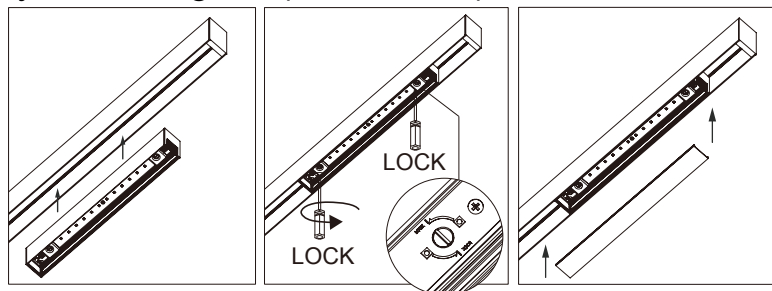
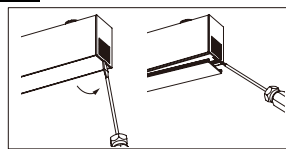


step 3

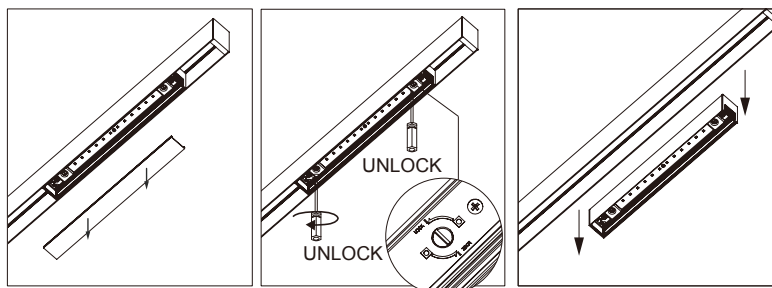
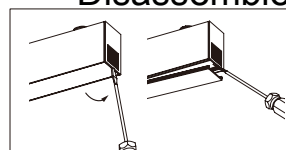
step 2

step 1

Disassemble



Disassemble



C • Installation only for Slimlight-P(FULL SIZE)

