



MR. RESISTOR®
Lighting Specialist Est. 1968



SLIMDUET

LED Light System



SLIMDUET

LED Light System

Innovative slim linear connecting system, a perfect combination between tracks and LED fixtures.

Offering flexibility and rapid installation of the modules, it also creates a simple and clean appearance.

Uniquely designed LED spotlights, strips, downlights and pendant fixtures are available for multi-task lighting requirements. The LED fixture installation is designed to be simple and convenient, just clip the fixtures in, wherever you require.

The system is compatible with 24V mains dimming, 1-10V, Dali, Casambi, Zonik and Wise Controls.



SLIMDUET

24V TRACK



Recessed Trimless Track **02**



Recessed Trimmed Track **04**



Surfaced Track **06**



Accessories **07**



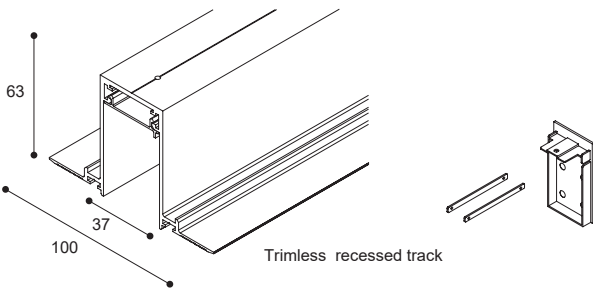
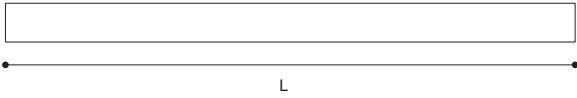
LED Drivers **08**



SLIMDUET

TRIMLESS RECESSED TRACK

Recessed Trimless Track



Order Number	Length
● SDR-01 BLK	1500mm
○ SDR-01 WHT	1500mm

Track can be cut to any size.

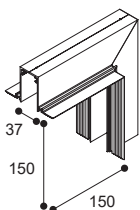
Slim Duet Track screwed into plaster board using pre-drilled holes

Accessories

Vertical Corner

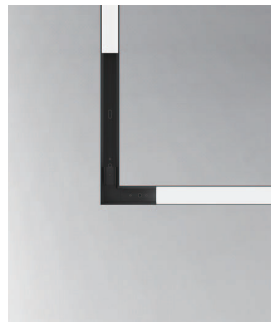


Pre-drilled holes

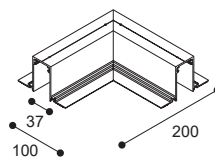


- SDR-04 BLK
- SDR-04 WHT

Horizontal Corner

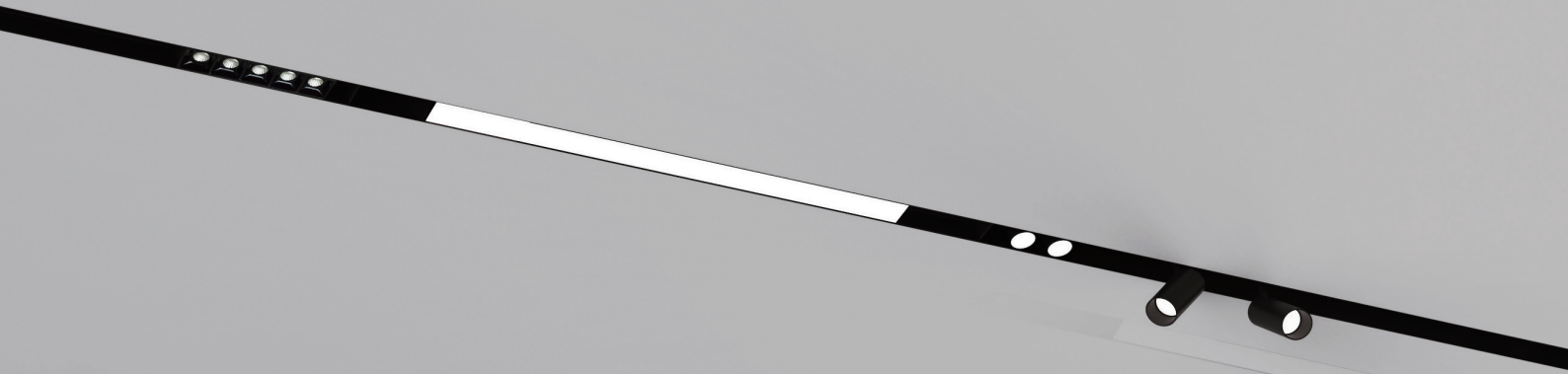


Pre-drilled holes



- SDR-05 BLK
- SDR-05 WHT

The system requires 24V mains dimming, 1-10V, or Dali drivers. See Pages 8-9



Slim Duet Recessed Track screwed into plaster board using pre-drilled holes

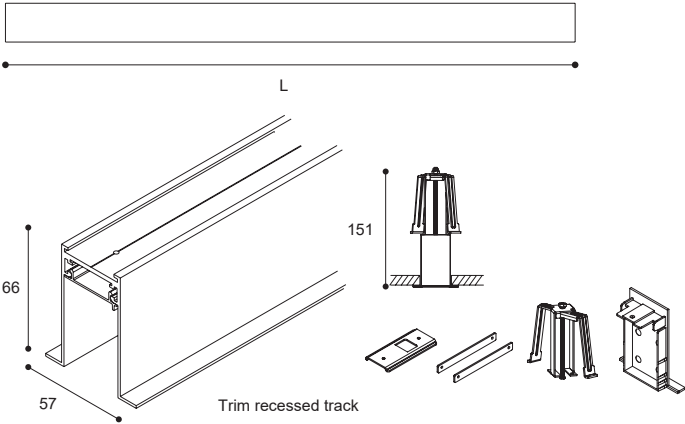


Slim Light Fixtures click into the track easily

SLIMDUET

TRIMMED RECESSED TRACK

Recessed TrimmedTrack



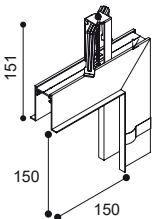
Order Number	Length
● SDF-01 BLK	1500mm
○ SDF-01 WHT	1500mm
● SDF-02 BLK	2100mm
○ SDF-02 WHT	2100mm

Track can be cut to any size.
Slim Duet Track screwed into plaster board using pre-drilled holes

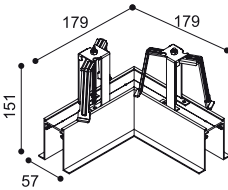
Accessories

Vertical Corner

Horizontal Corner



- SDF-04 BLK
- SDF-04 WHT



- SDF-12 BLK
- SDF-12 WHT

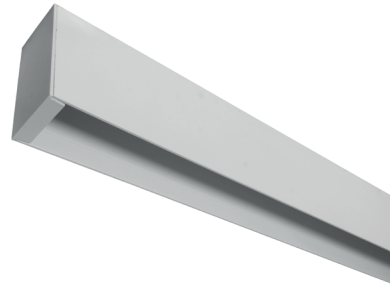
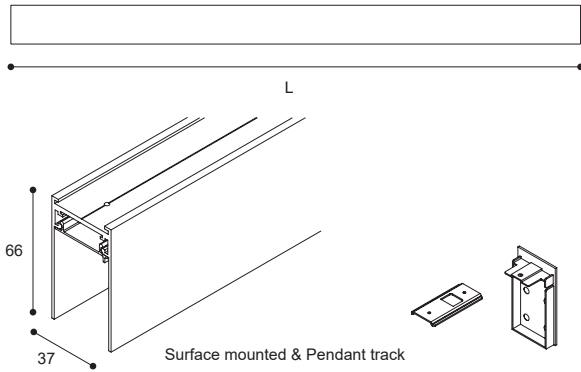
The system requires 24V mains dimming, 1-10V, or Dali drivers. See Pages 8-9



SLIMDUET

SURFACED TRACK

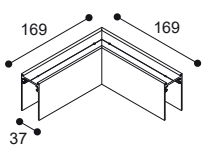
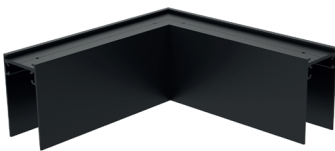
Surfaced Track



Order Number	Length
● SDT-01 BLK	1500mm
○ SDT-01 WHT	1500mm
● SDT-02 BLK	2100mm
○ SDT-02 WHT	2100mm

Track can be cut to any size.

Horizontal Corner



- SDT-05 BLK
- SDT-05 WHT

Trimless & Surface/Suspended Power cord end cap



- SDC-03 BLK
- SDC-03 WHT

End cap



- SDC-04 BLK
- SDC-04 WHT

Trimmed Power cord end cap



- SDC-03A BLK
- SDC-03A WHT

Circuit Joint



- SDC-01D BLK
- SDC-01D WHT

Floating live end and cord



- SDC-09 BLK
- SDC-09 WHT

Reinforced joint



- SDC-05

Power joint



- SDC-02D BLK
- SDC-02D WHT

Hidden circuit joint



- SDC-07D BLK
- SDC-07D WHT

Coupler



- SDC-10 BLK
- SDC-10 WHT

Suspension kit



- SDI-05 BLK
- SDI-05 WHT

Suspension kit no power cord



- SDI-06

24V Dimming Drivers



Wattage	100W	120W	150W
Part Code	DIMDRIV2 24V100W	DIMDRIV2 24V120W	DIMDRIV2 24V150W



Wattage	60W	100W
Part Code	SLIMDRIVE 24V60	SLIMDRIVE 24V100

24V Switching Drivers



Wattage	150W	240W
Part Code	HLG150H24A IP65	HLG240H24A IP65

1-10V Dimming Driver



Wattage	288W
Part Code	ECP80112A288W

Dali-CV LED Interface Dimmable Driver



Wattage	192W
Part Code	DALI 801-8A

SLIMDUET

24V LED FIXTURES



Downlights **12**



Wall Washers **18**



Strips **20**



Spotlights **24**



Pendants **30**



Installation Guide **33**



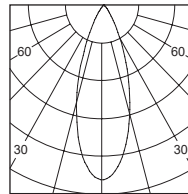
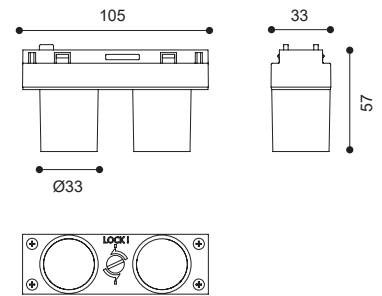
SLIMDUET

LED DOWNLIGHTS

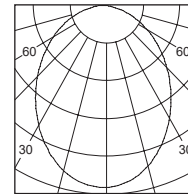
SLIMDUET-GL35



SLIMDUET-GR



h(m)	D(m)	E(lx)
35°		
1.0	0.62	753
2.0	1.25	188
3.0	1.88	83
4.0	2.51	47
5.0	3.14	30



h(m)	D(m)	E(lx)
90°		
1.0	2	96
2.0	4	24
3.0	6	10
4.0	8	6
5.0	10	3

SLIMDUET DOWNLIGHTS (40W halogen equivalent)

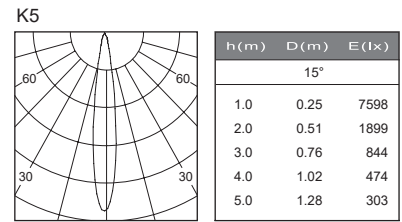
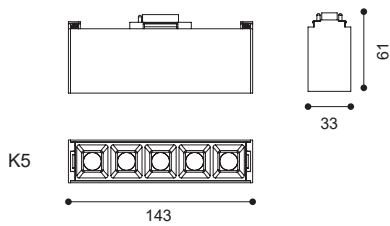
Order Number	Wattage	Voltage	Lumen	Beam Angle	Colour Temp	CRI
● SLIMDUET-GL35 BK	5.3W	24V	399	35°	3000K	90+
○ SLIMDUET-GL35 WH	5.3W	24V	399	35°	3000K	90+
● SLIMDUET-GR BLK	5.3W	24V	214	90°	3000K	90+
○ SLIMDUET-GR WHI	5.3W	24V	214	90°	3000K	90+

Also available in 2700K & 4000K, on request.



SLIMDUET

LED DOWNLIGHTS



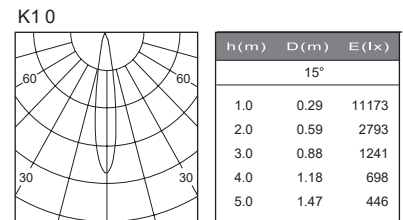
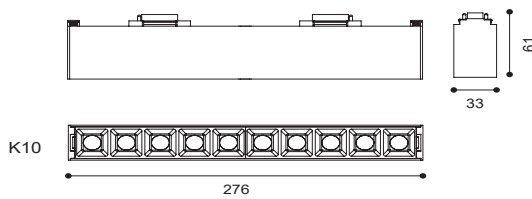
SLIMDUET K5 DOWNLIGHT (100W halogen equivalent)

Order Number	Wattage	Voltage	Lumen	Beam Angle	Colour Temp	CRI
● SLIMDUETK530 BK	11W	24V	1000	30°	3000K	90+
● SLIMDUETK540 BK	11W	24V	1000	30°	4000K	90+
○ SLIMDUETK530 WH	11W	24V	1000	30°	3000K	90+
○ SLIMDUETK540 WHT	11W	24V	1000	30°	4000K	90+

Also available in 2700K, on request.

SLIMDUET

LED DOWNLIGHTS



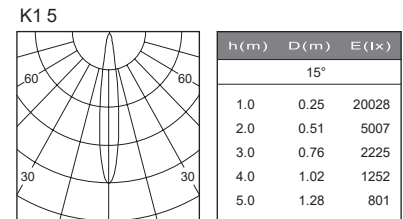
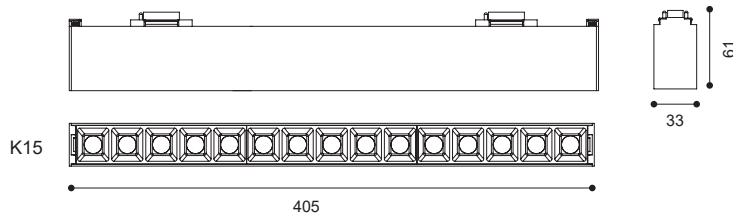
SLIMDUET K10 DOWNLIGHT (200W halogen equivalent)

Order Number	Wattage	Voltage	Lumen	Beam Angle	Colour Temp	CRI
● SLIMDUETK1030 BK	22W	24V	2000	30°	3000K	90+
● SLIMDUETK1040 BK	22W	24V	2000	30°	4000K	90+
○ SLIMDUETK1030 WH	22W	24V	2000	30°	3000K	90+
○ SLIMDUETK1040 WH	22W	24V	2000	30°	4000K	90+

Also available in 2700K, on request.

SLIMDUET

LED DOWNLIGHTS



SLIMDUET K15 DOWNLIGHT (300W halogen equivalent)

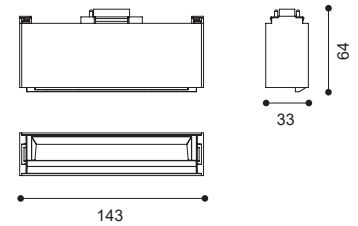
Order Number	Wattage	Voltage	Lumen	Beam Angle	Colour Temp	CRI
● SLIMDUETK1530 BK	33W	24V	3000	30°	3000K	90+
● SLIMDUETK1540 BK	33W	24V	3000	30°	4000K	90+
○ SLIMDUETK1530 WH	33W	24V	3000	30°	3000K	90+
○ SLIMDUETK1540 WH	33W	24V	3000	30°	4000K	90+

Also available in 2700K, on request.

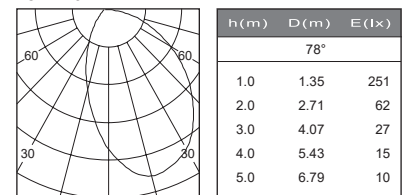


SLIMDUET

LED WALL WASHERS



1817.407A-V



SLIMDUET WALL WASHER (50W halogen equivalent)

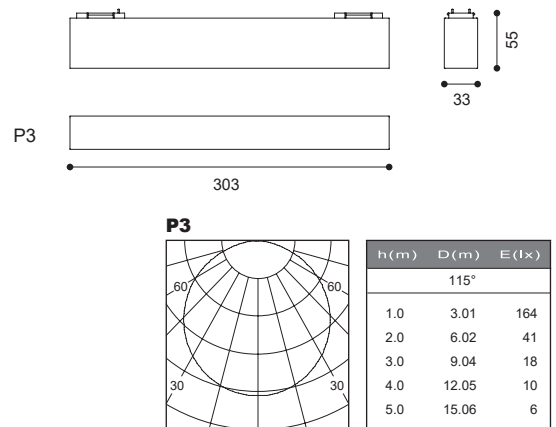
Order Number	Wattage	Voltage	Lumen	Beam Angle	Colour Temp	CRI
● SLIMDUET-W BLK/W	11W	24V	426	78°	3000K	90+
○ SLIMDUET-W WHT/W	11W	24V	426	78°	3000K	90+

Also available in 2700K & 4000K, on request.



SLIMDUET

LED STRIPS



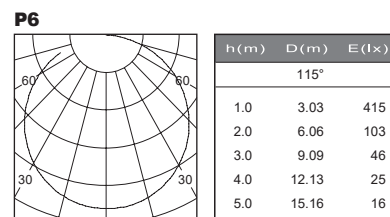
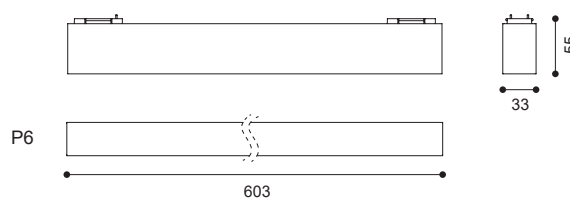
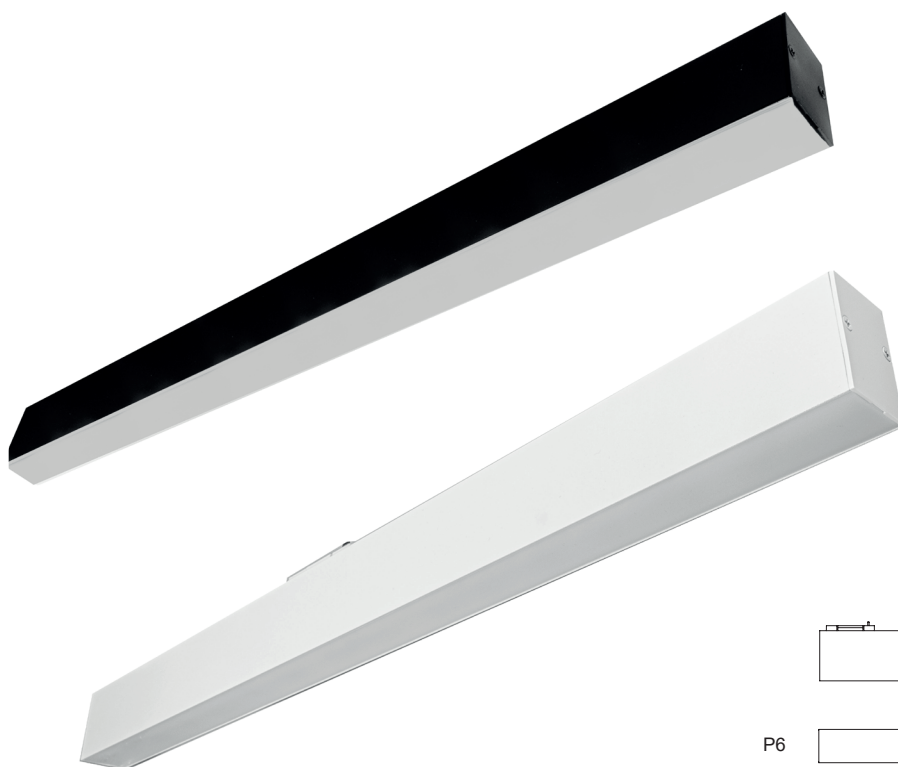
SLIMDUET P3 LED Strip (50W halogen equivalent)

Order Number	Wattage	Voltage	Lumen	Beam Angle	Colour Temp	CRI
● SLIMDUET-P3 BK/W	9.2W	24V	472	115°	3000K	80+
● SLIMDUET-P3 BK/C	9.2W	24V	472	115°	4000K	80+
○ SLIMDUET-P3 WH/W	9.2W	24V	472	115°	3000K	80+
○ SLIMDUET-P3 WH/C	9.2W	24V	472	115°	4000K	80+

Also available in 2700K, on request.

SLIMDUET

LED STRIPS



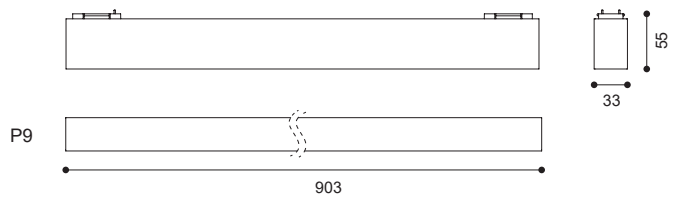
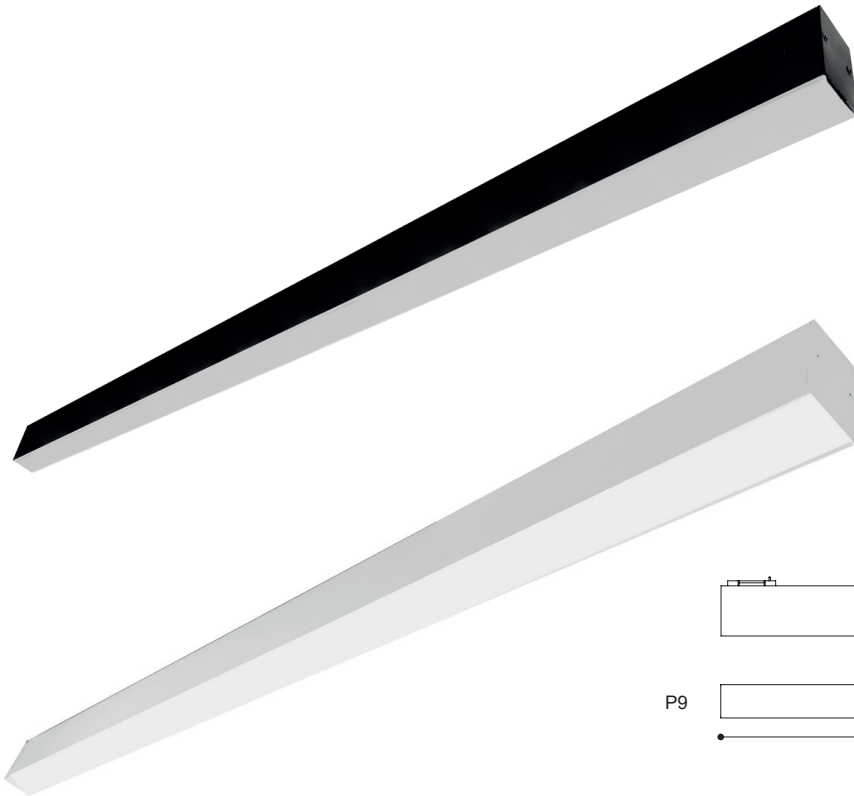
SLIMDUET P6 LED Strip (120W halogen equivalent)

Order Number	Wattage	Voltage	Lumen	Beam Angle	Colour Temp	CRI
● SLIMDUET-P6 BK/W	18.4W	24V	1197	115°	3000K	80+
● SLIMDUET-P6 BK/C	18.4W	24V	1197	115°	4000K	80+
○ SLIMDUET-P6 WH/W	18.4W	24V	1197	115°	3000K	80+
○ SLIMDUET-P6 WH/C	18.4W	24V	1197	115°	4000K	80+

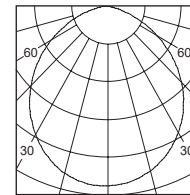
Also available in 2700K, on request.

SLIMDUET

LED STRIPS



P9



h (m)	D (m)	E (lx)
115°		
1.0	2.36	538
2.0	4.73	134
3.0	7.10	59
4.0	9.47	33
5.0	11.84	21

SLIMDUET P9 LED Strip (150W halogen equivalent)

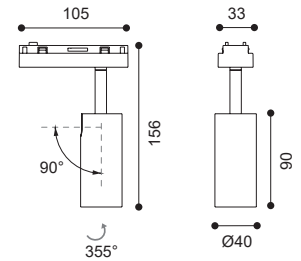
Order Number	Wattage	Voltage	Lumen	Beam Angle	Colour Temp	CRI
● SLIMDUET-P9 BK/W	27.5W	24V	1428	115°	3000K	80+
● SLIMDUET-P9 BK/C	27.5W	24V	1428	115°	4000K	80+
○ SLIMDUET-P9 WH/W	27.5W	24V	1428	115°	3000K	80+
○ SLIMDUET-P9 WH/C	27.5W	24V	1428	115°	4000K	80+

Also available in 2700K, on request.

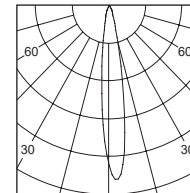


SLIMDUET

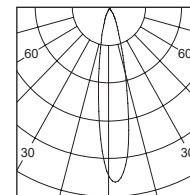
LED SPOTLIGHTS



S1



h (m)	D (m)	E (lx)
15°		
1.0	0.25	3342
2.0	0.50	835
3.0	0.75	371
4.0	1.00	208
5.0	1.25	133



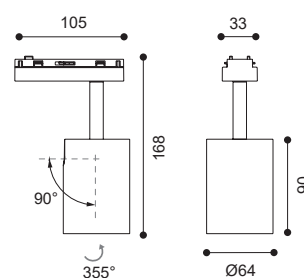
h (m)	D (m)	E (lx)
20°		
1.0	0.34	1834
2.0	0.68	458
3.0	1.02	203
4.0	1.37	114
5.0	1.71	73

SLIMDUET S1 Spotlight (60W halogen equivalent)

Order Number	Wattage	Voltage	Lumen	Beam Angle	Colour Temp	CRI
● SLIMDUETS0615 B3	6.4W	24V	626	15°	3000K	90+
● SLIMDUETS1320 B2	6.4W	24V	626	20°	2700K	90+
● SLIMDUETS1325 B3	6.4W	24V	626	20°	3000K	90+
● SLIMDUETS1320 B4	6.4W	24V	626	20°	4000K	90+
○ SLIMDUETS0615 W3	6.4W	24V	626	15°	3000K	90+
○ SLIMDUETS1220 W2	6.4W	24V	626	20°	2700K	90+
○ SLIMDUETS1325 W3	6.4W	24V	626	20°	3000K	90+
○ SLIMDUETS1320 W4	6.4W	24V	626	20°	4000K	90+

SLIMDUET

LED SPOTLIGHTS



S2

h (m)	D (m)	E (lx)
35°		
1.0	0.63	1190
2.0	1.26	297
3.0	1.89	132
4.0	2.53	74
5.0	3.16	47

SLIMDUET S2 Spotlight (100W halogen equivalent)

Order Number	Wattage	Voltage	Lumen	Beam Angle	Colour Temp	CRI
● SLIMDUETS2315 B3	12.7W	24V	1114	16°	3000K	90+
● SLIMDUETS2325 B2	12.7W	24V	1114	35°	2700K	90+
● SLIMDUETS2325 B3	12.7W	24V	1114	35°	3000K	90+
● SLIMDUETS2325 B4	12.7W	24V	1114	35°	4000K	90+
○ SLIMDUETS2325 W3	12.7W	24V	1114	35°	3000K	90+
○ SLIMDUETS2325 W4	12.7W	24V	1114	35°	4000K	90+

SLIMDUET

LED SPOTLIGHTS



SLIMDUET LED CUBE SPOTLIGHTS (60W halogen equivalent)

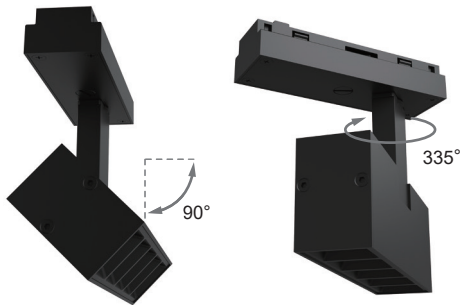
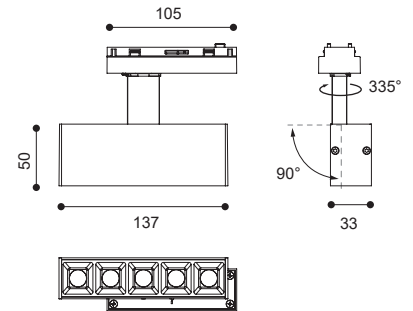
Order Number	Wattage	Voltage	Lumen	Beam Angle	Colour Temp	CRI
● SLIMDUETS2117B3	6.4W	24V	626	35°	3000K	90+
○ SLIMDUETS2117W3	6.4W	24V	626	35°	3000K	90+

Also available in 2700K & 4000K, on request.

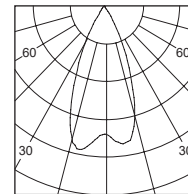


SLIMDUET

LED SPOTLIGHTS



1817.413



h (m)	D (m)	E (lx)
44°		
1.0	0.80	1543
2.0	1.60	385
3.0	2.40	171
4.0	3.20	96
5.0	4.00	61

SLIMDUET LED SPOTLIGHTS (100W halogen equivalent)

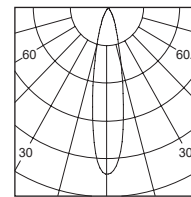
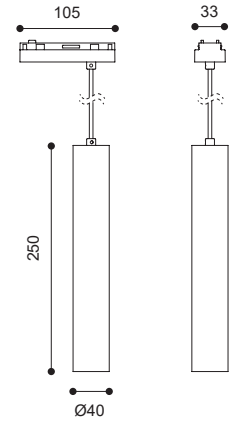
Order Number	Wattage	Voltage	Lumen	Beam Angle	Colour Temp	CRI
● SLIMDUET-KS BLK	11W	24V	1000	44°	3000K	90+
● SLIMDUET-KSBL/4K	11W	24V	1000	44°	4000K	90+
○ SLIMDUET-KS WHT	11W	24V	1000	44°	3000K	90+
○ SLIMDUET-KSWH/4K	11W	24V	1000	44°	4000K	90+

Also available in 2700K, on request.



SLIMDUET

LED PENDANTS



h (m)	D (m)	E (lx)
20°		
1.0	0.37	1755
2.0	0.74	438
3.0	1.12	194
4.0	1.49	109
5.0	1.86	70

SLIMDUET PENDANT (60W halogen equivalent)

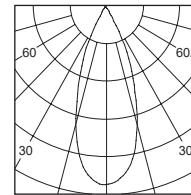
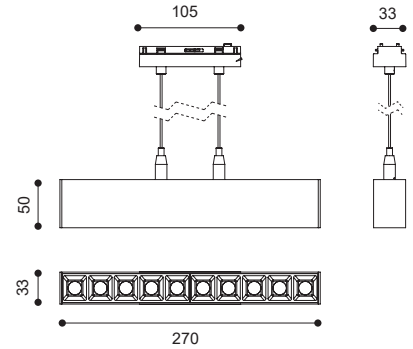
Order Number	Wattage	Voltage	Lumen	Beam Angle	Colour Temp	CRI
● SLIMDUET-C BLK/W	6.4W	24V	626	20°	3000K	90+
● SLIMDUET-C BLK/I	6.4W	24V	626	20°	2700K	90+
○ SLIMDUET-C WH/W	6.4W	24V	626	20°	3000K	90+
○ SLIMDUET-C WHI/C	6.4W	24V	626	20°	4000K	90+

Also available in 2700K & 4000K, on request.



SLIMDUET

LED SUSPENDED DOWNLIGHTS



h (m)	D (m)	E (lx)
40°		
1.0	0.68	3318
2.0	1.36	829
3.0	2.04	368
4.0	2.72	207
5.0	3.40	132

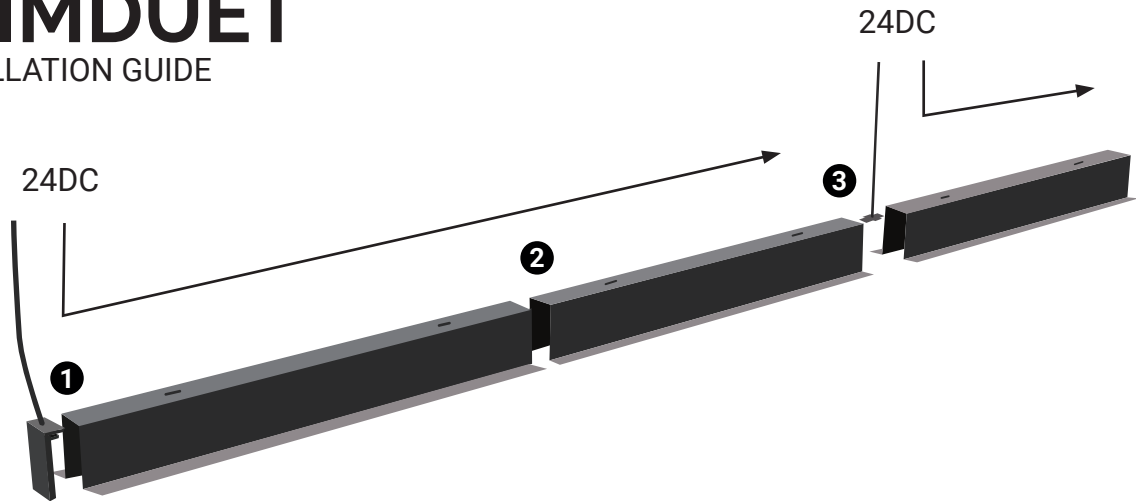
LED SUSPENDED DOWNLIGHTS (200W halogen equivalent)

Order Number	Wattage	Voltage	Lumen	Beam Angle	Colour Temp	CRI
● SLIMDUET-KC BLK	22W	24V	2000	40°	3000K	90+

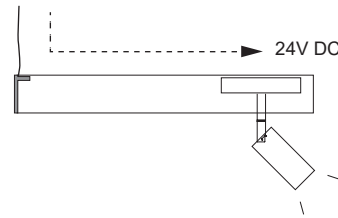
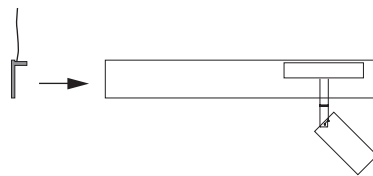
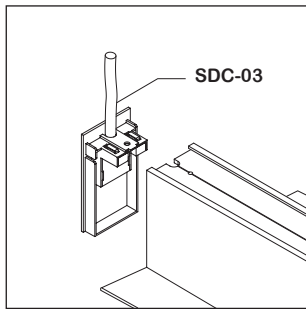
Also available in 2700K & 4000K, on request.

SLIMDUET

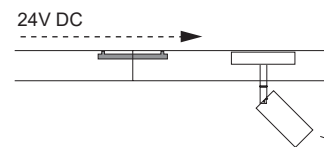
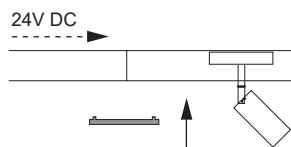
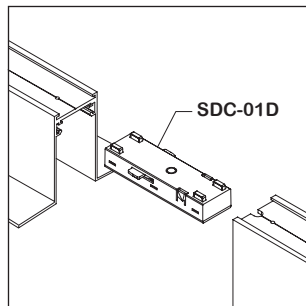
INSTALLATION GUIDE



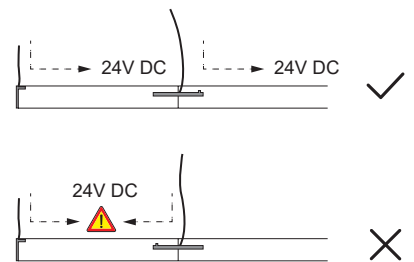
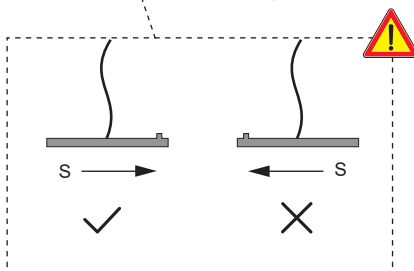
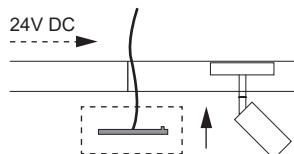
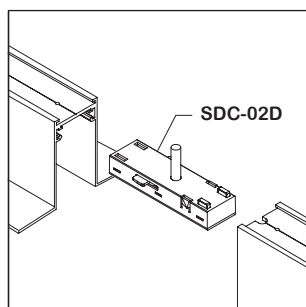
1 Using power cord end cap (SDC-03) as power feed



2 Using electrical coupler (SDC-01 or SCD-07) to connect between tracks

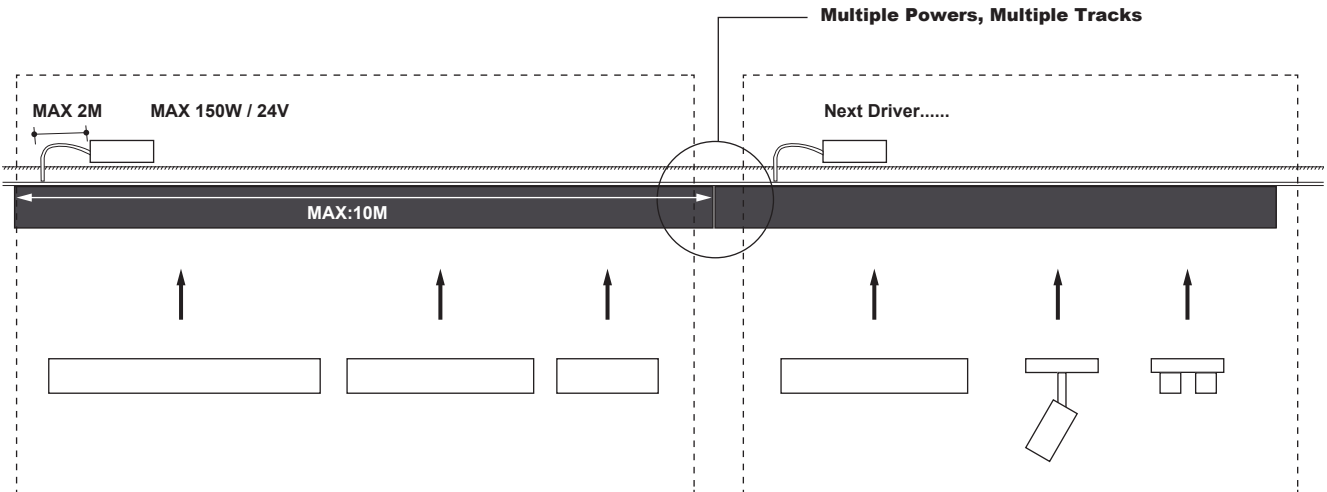


3 Using power cord add on (SDC-02D) to connect more drivers



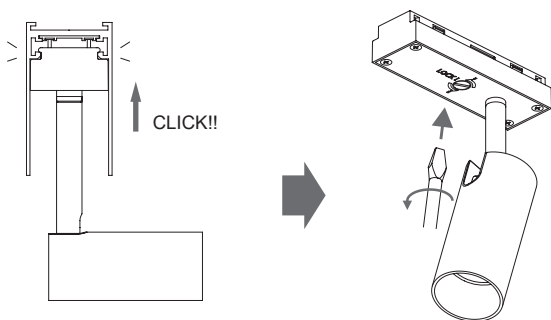
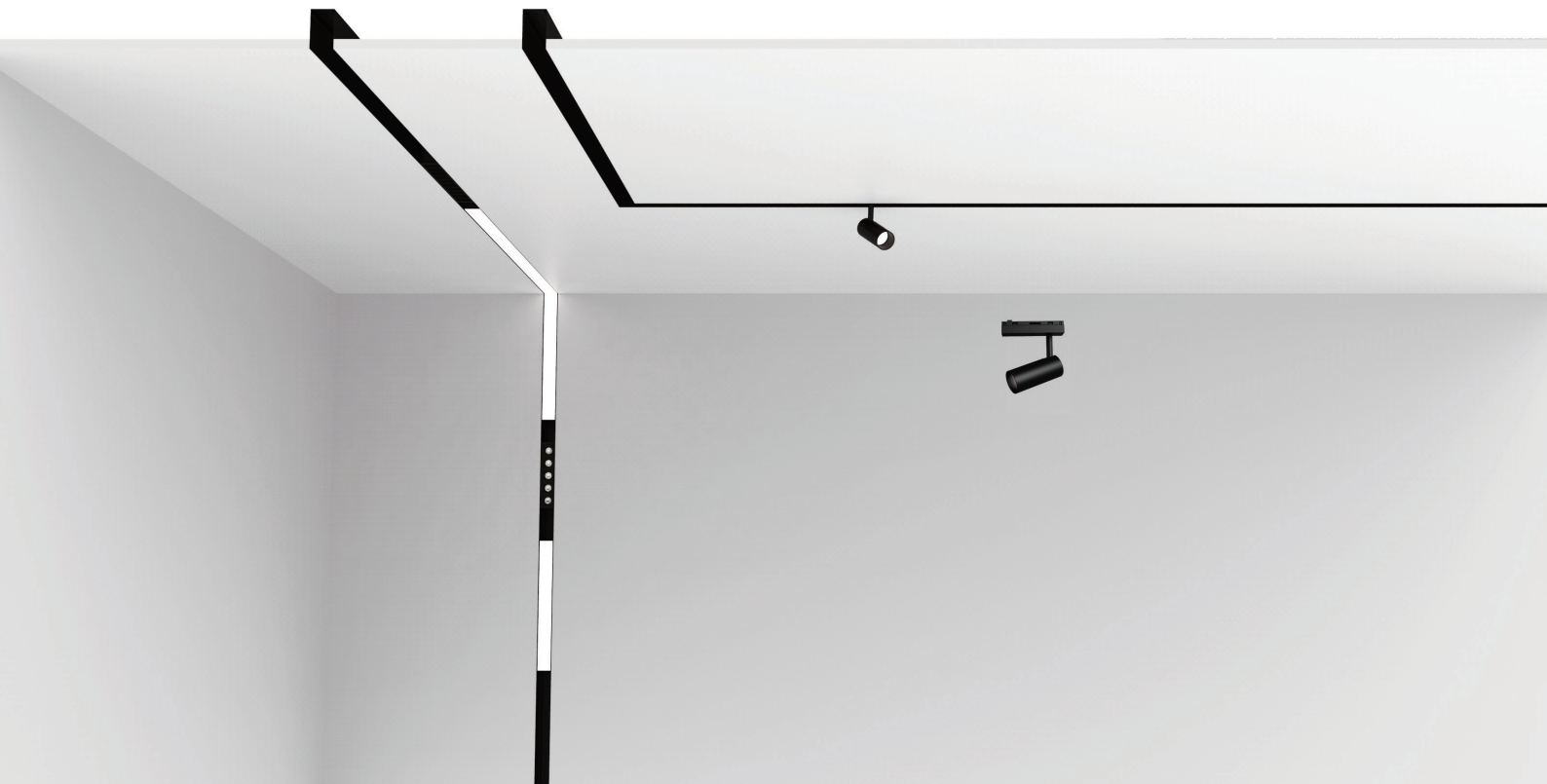
Do not install fixture between the tracks when a new driver is connected into the circuit

Application Illustration



NOTE:

1. 150W Max wattage per 10m of track.
2. Max length of track is 10m or less and the max cable length between driver and track is 2m.



The LED fixture installation is designed to be simple and convenient, just clicking into the track.

The recessed track is plastered into the ceiling to give a seamless look.

020 8874 2234 | info@mr-resistor.co.uk

19 - 23 Lydden Road, Wandsworth, London, SW18 4LT, United Kingdom

www.mr-resistor.co.uk

