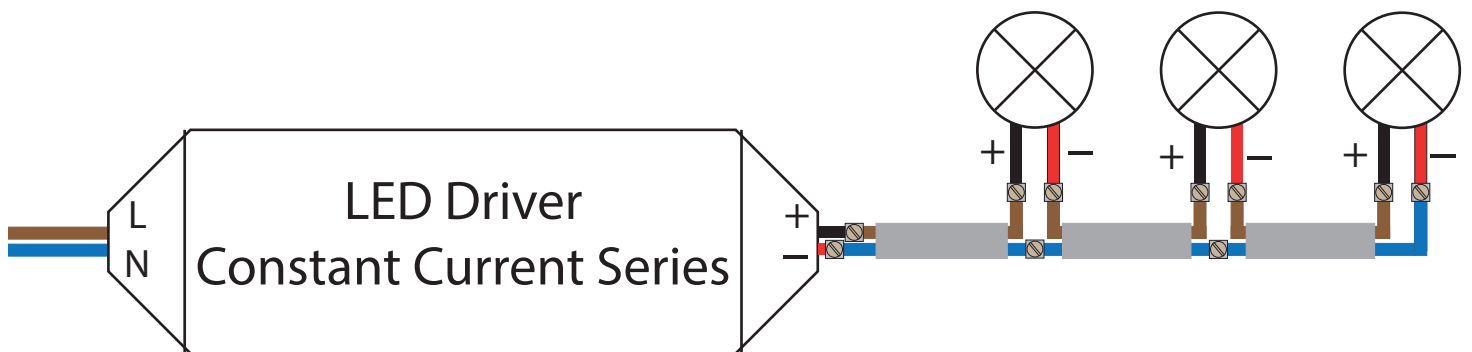
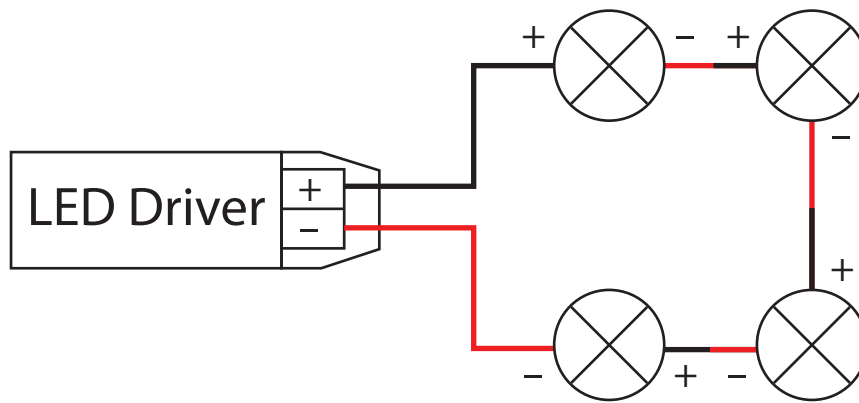


LED Series Wiring Diagram



WARNING

Never connect or disconnect constant current LEDs when the driver is powered on as this can damage the LEDs. All the 350mA / 700mA (any constant current) drivers/LEDs must be wired in series as shown in the diagram. If the LEDs are not wired correctly it will result in irreparable damage to the LEDs and LED Drivers. Incorrect wiring will invalidate your warranty.

Testing LEDs

If you are having technical issues with your LEDs we would recommend the following. Connect one LED to the driver at a time. This will highlight any faulty lights. If all lights are working individually then check the wiring is in series and not parallel. Replace any faulty lights.

Wiring Information

When you wire in series you achieve a constant current for all components in that circuit. Any LED that is marked mA (eg. 350mA, 700mA) requires a constant current to function correctly. When the LEDs are wired in series they only require a small voltage, normally between 2-4 volts. For each LED that you add to the circuit the voltage increases. The voltage is determined by the amount of LEDs on the series circuit.