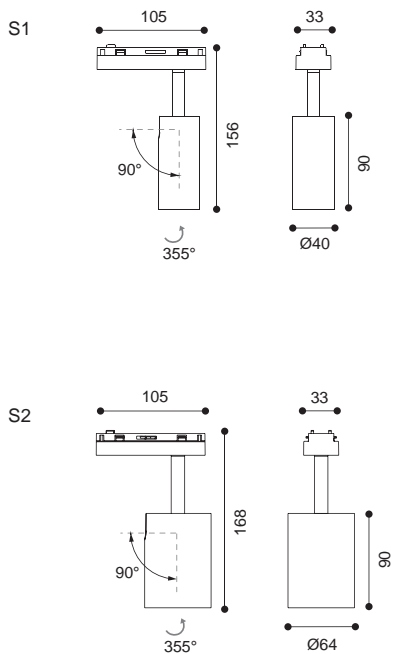
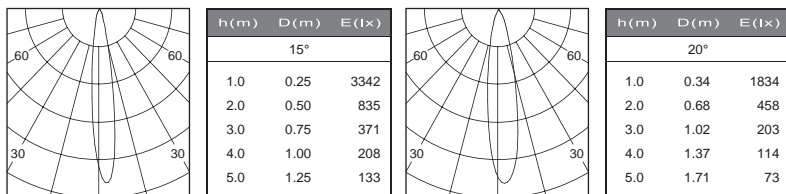


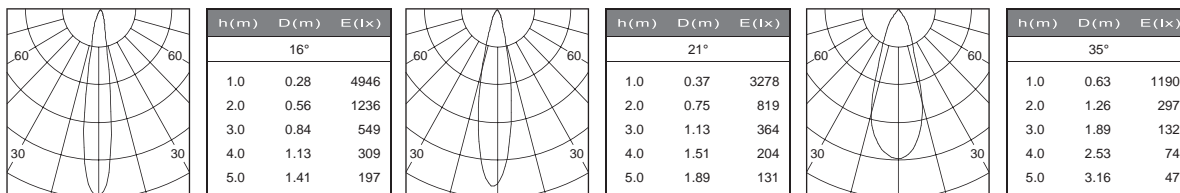
SLIMDUET-S



1617.407-V



1617.411-V



Colours
Black White

	LED Consumption	Voltage	Lumen	Beam Angle	CCT/CRI	Locking Type
S1	6.4W	24V DC	626 (lm)	15°/20°	30/90+	Twist
S2	12.7W	24V DC	1114 (lm)	16°/21°/35°	30/90+	Twist

