

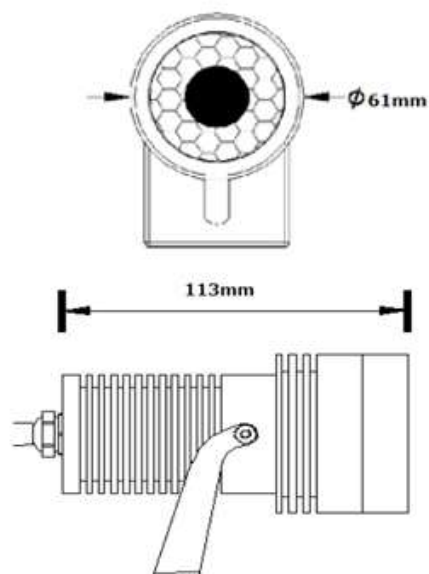


MR. RESISTOR[®]
Lighting Specialist Est. 1968

RGBW Garden Spot Light 12W



Product Dimensions



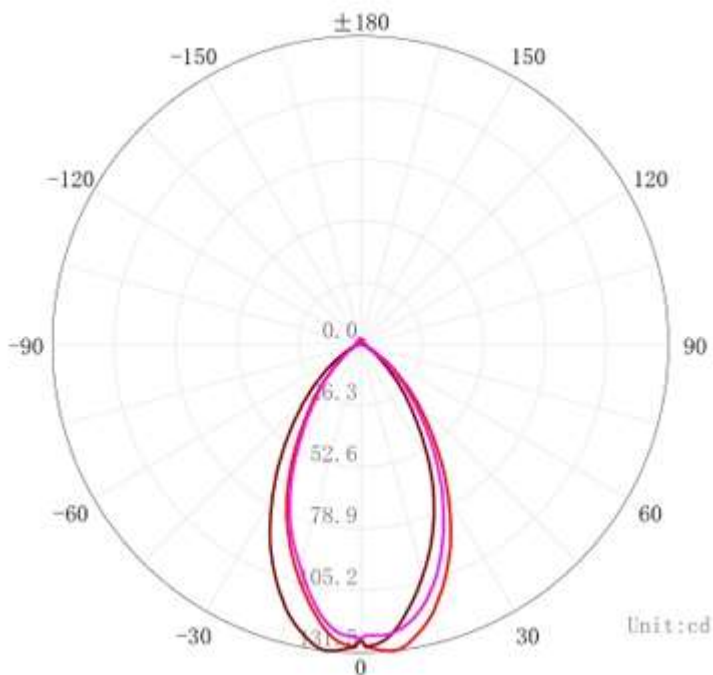
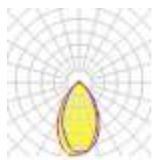
Please email Mr RESISTOR at: info@mr-resistor.co.uk, or call us on: [+44 \(0\)20 8874 2234](tel:+442088742234)
or write to us at: Mr RESISTOR, 21 Lydden Road, Earlsfield, London, SW18 4LT, UK.



Technical Specifications

Light Source	1pc of CREE COB LED chip
Input Voltage	12 VDC
Colour	RGBW
Beam angle	30°
Lumens	810lm (all LEDs on)
Usage	Garden Light with spike, also can be used as wall light with round base
Housing	Passivated 6063 Aluminium
Front glass finish	Tempered Glass
Power cable	Rubber cable of neoprene material, H05RN-F 0.75mm ² L=1.5m
Cable gland	PG7 cooper with nickel coated
Driver	Constant voltage 12V
Gasket	O-ring PMQ silicon seal
Operating temperature	-20 to +60 °C
Mounting Method	Stainless Steel round base or wall mount
IP Rating	IP67

Lighting Distribution Curve





Illuminance Distance Curve

