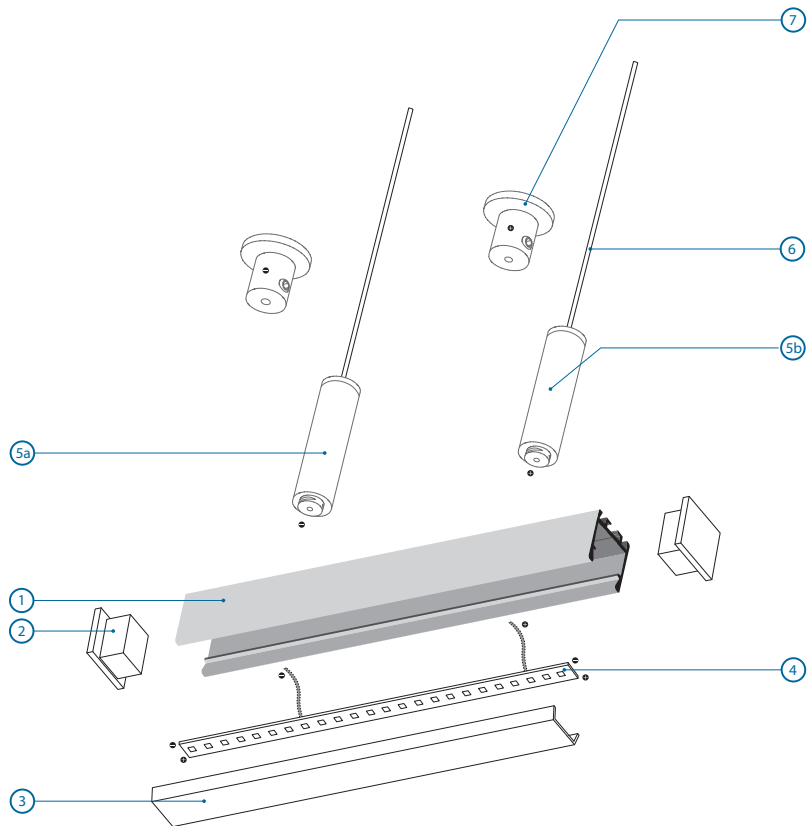




Basic fixture components

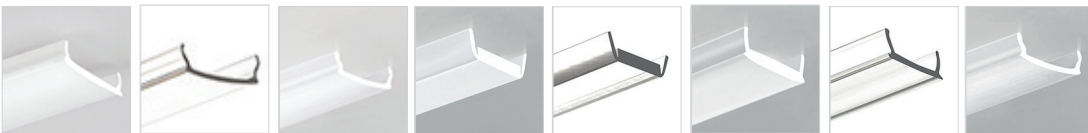


- 1. PDS ZM profile
- 2. end cap

PDS ZM



- 3. cover



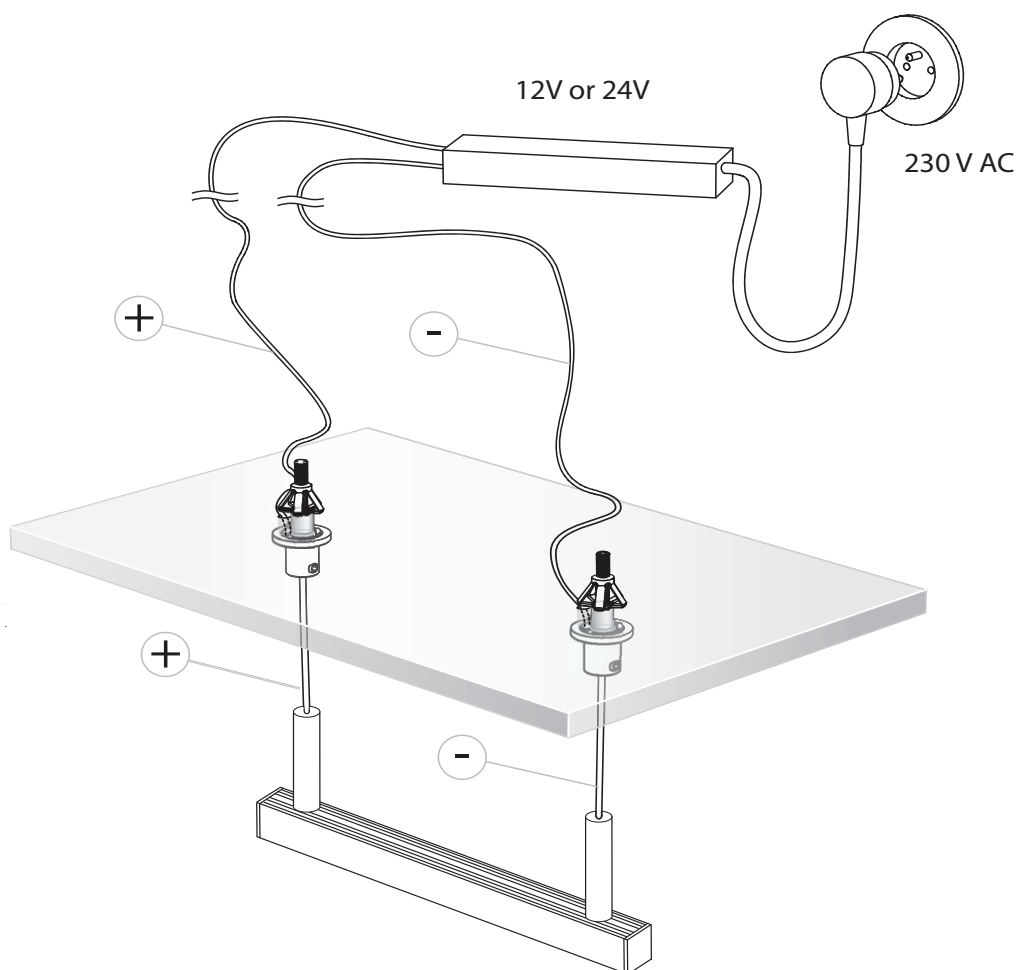
- 4. LED Tape (not included)

5a,b. ZM fastener

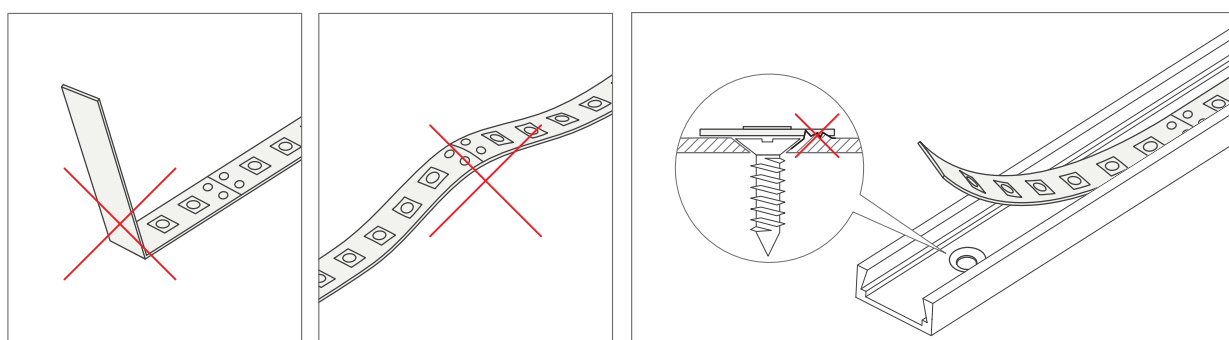
- 6. chrom mat 3mm / rod

- 7. longitudinal conductive fastener





Installation of LED strips

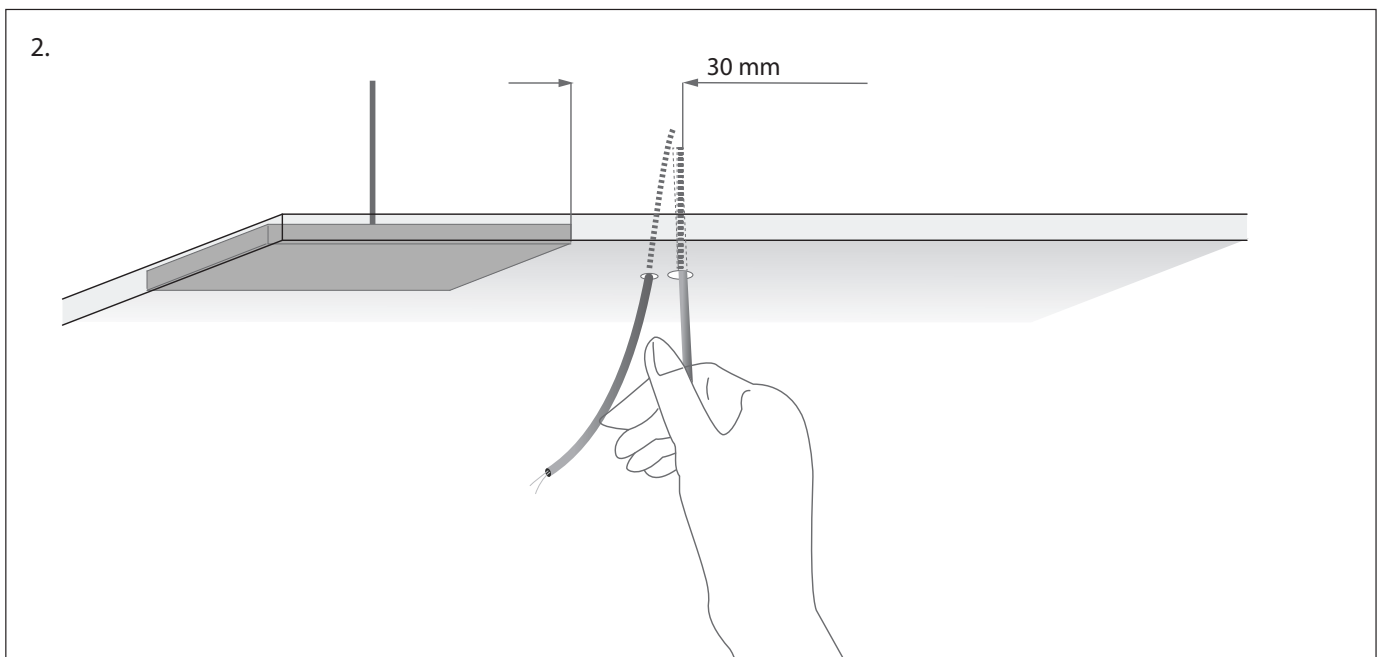
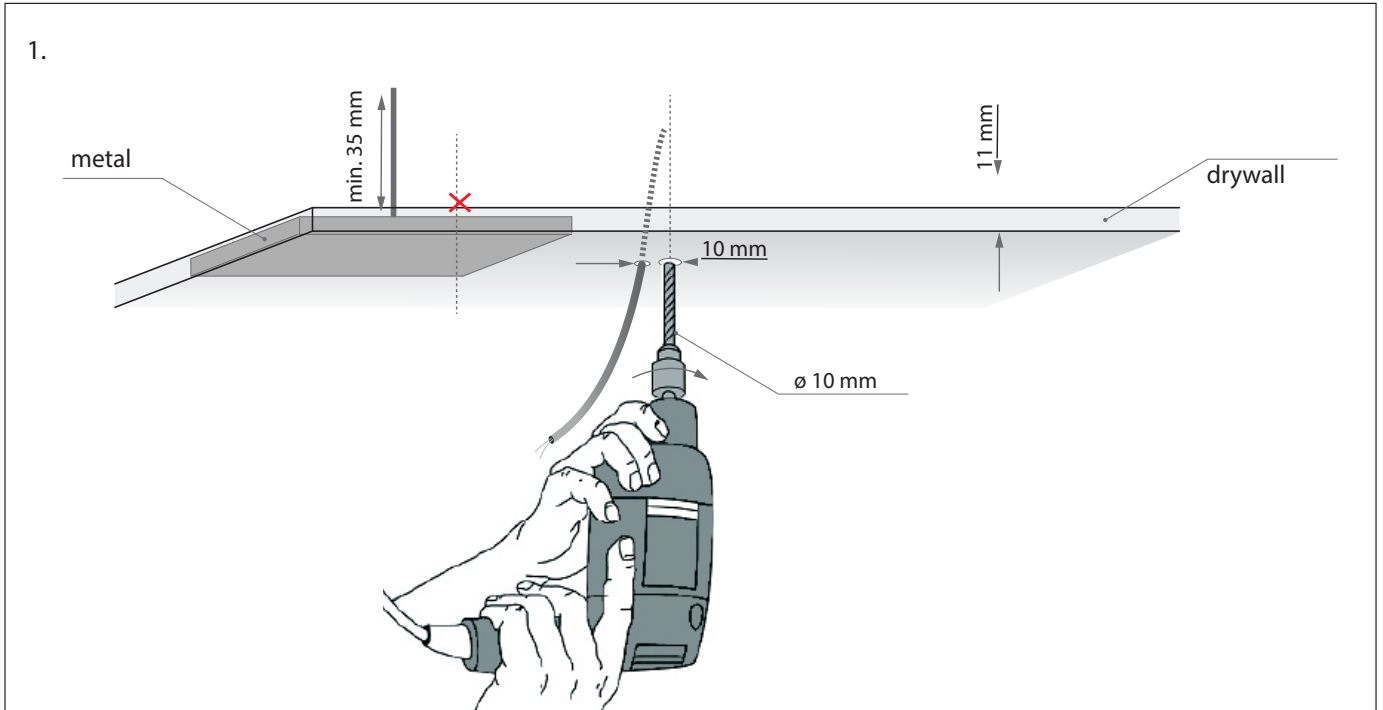


NOTE:

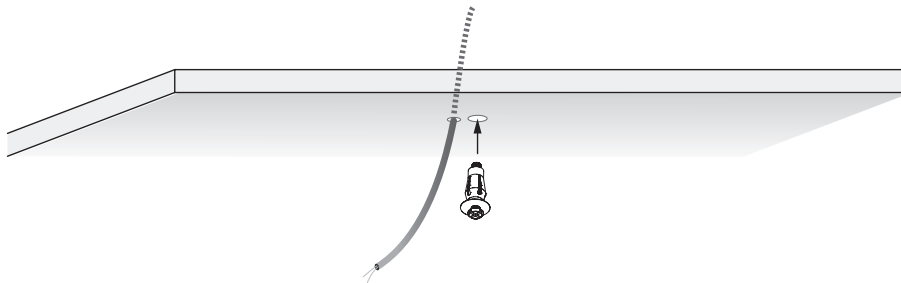
- LED Strips should not be excessively bend.
- When laying LED strips to surface avoid ripples.
- The surface should be smooth, without sharp edges. Before applying the LED strip surface should be clean.

Mounting Instruction

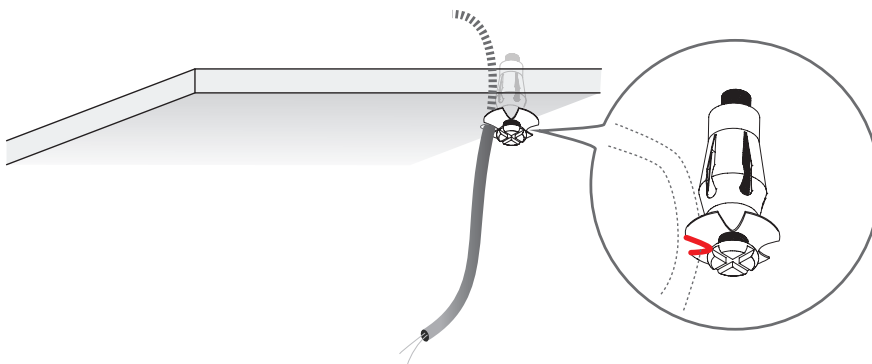
Mounting of the PDS ZM extrusion



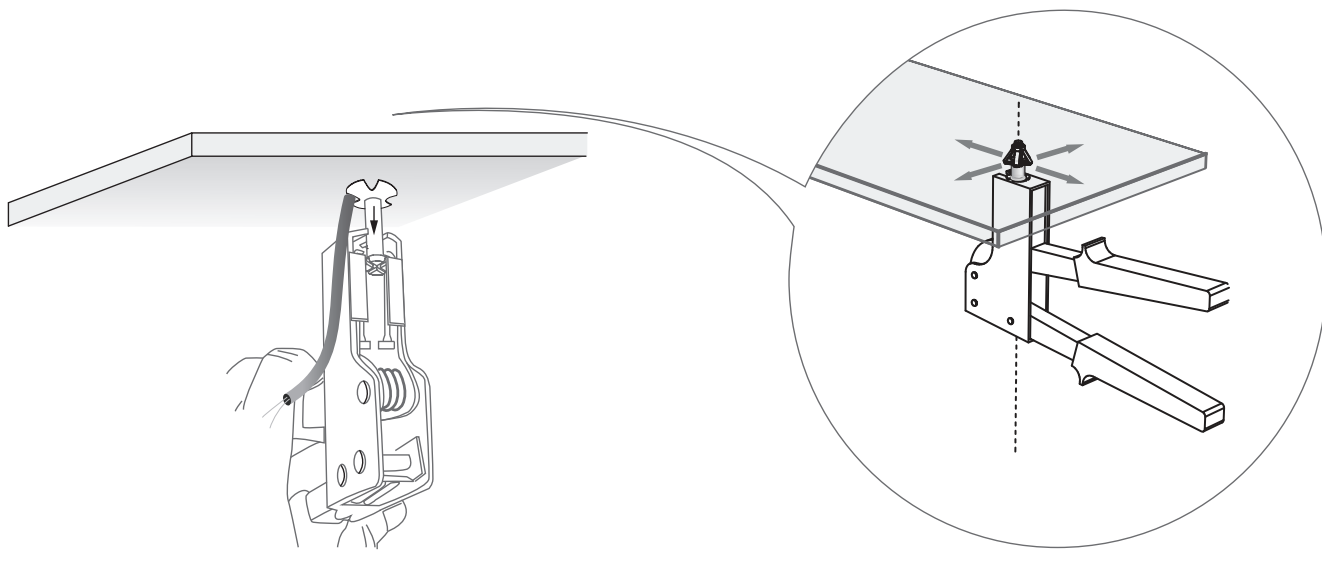
3.



4.

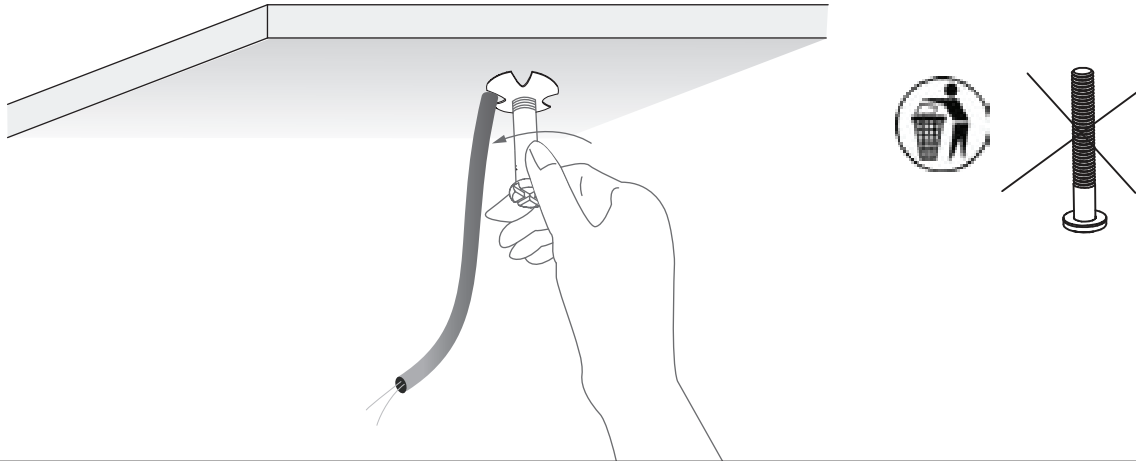


5.

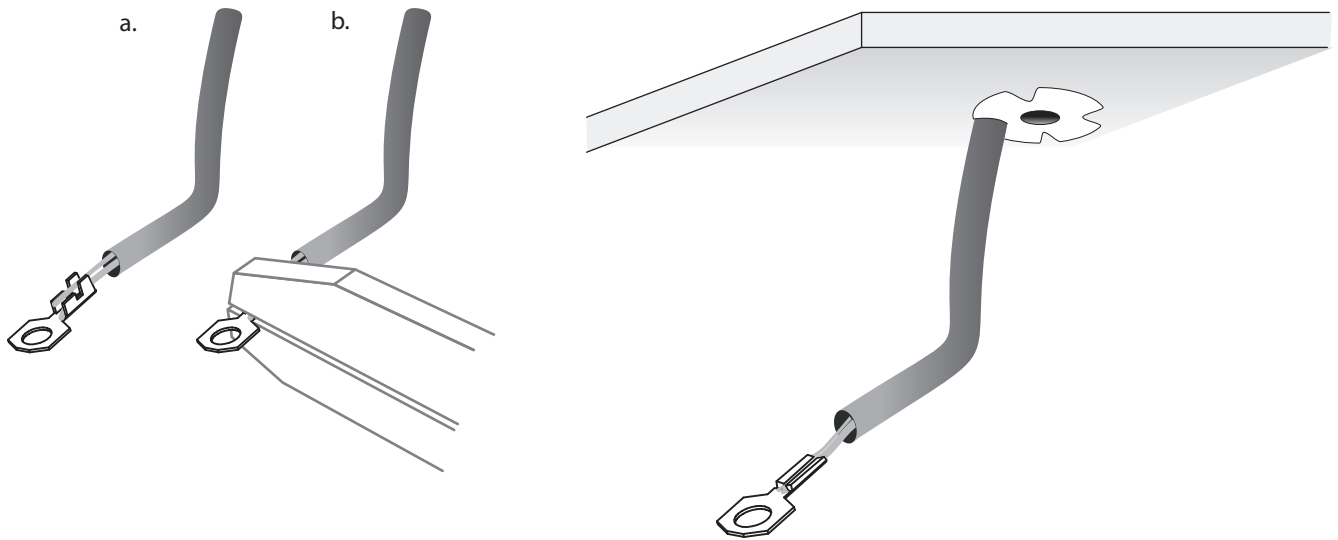


Mounting Instruction

6.

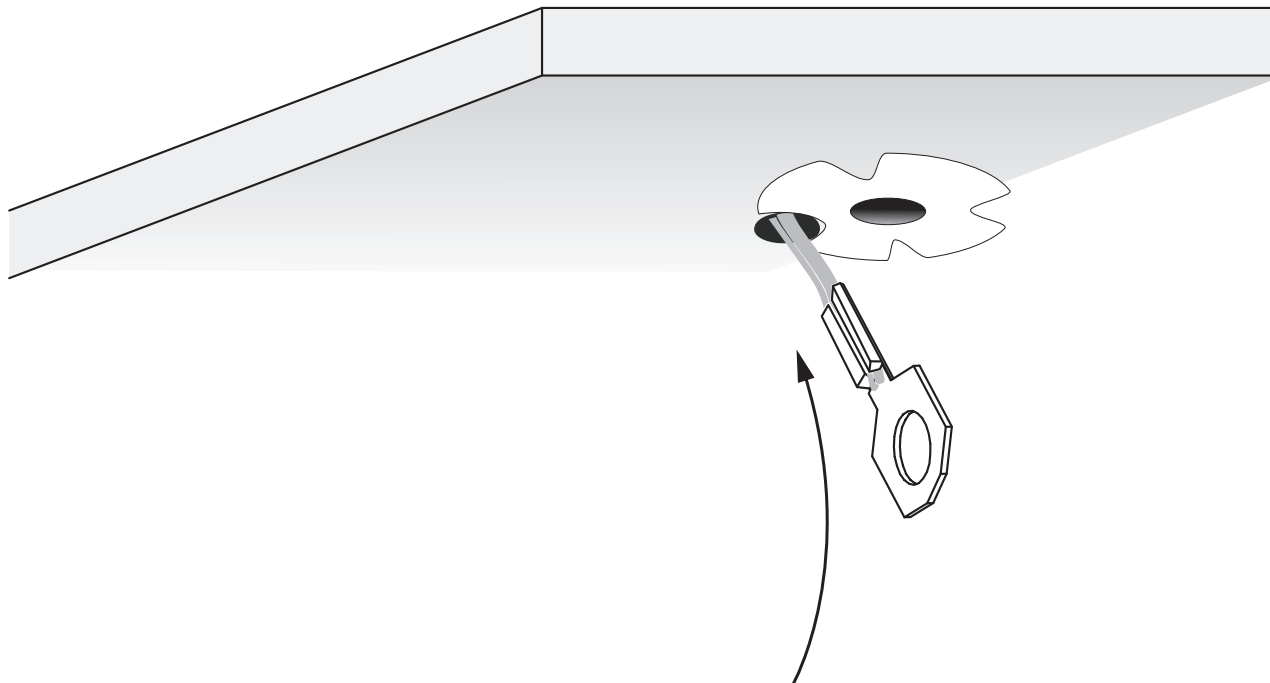


7.

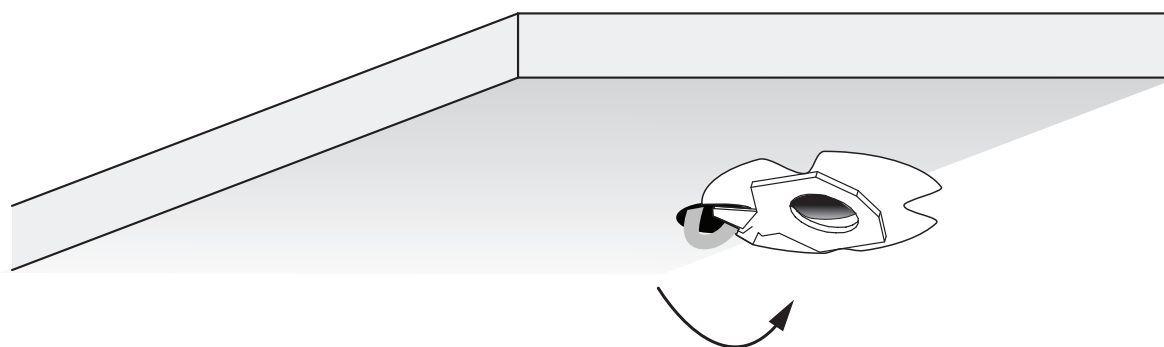


Mounting Instruction

8.

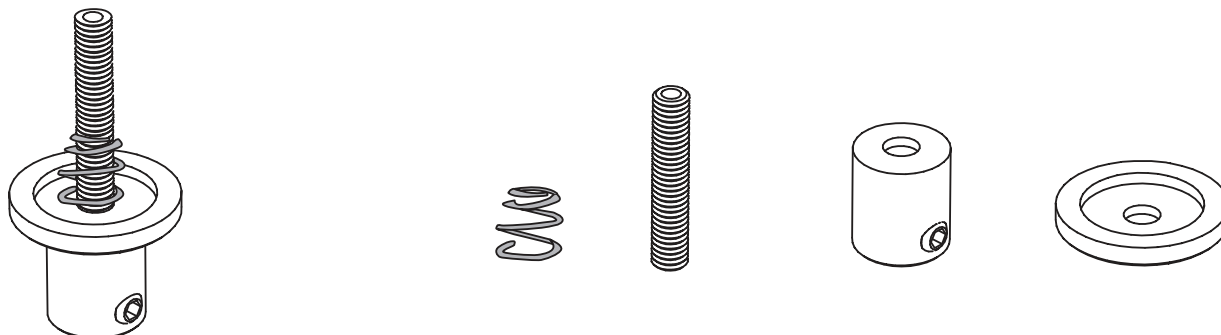


9.

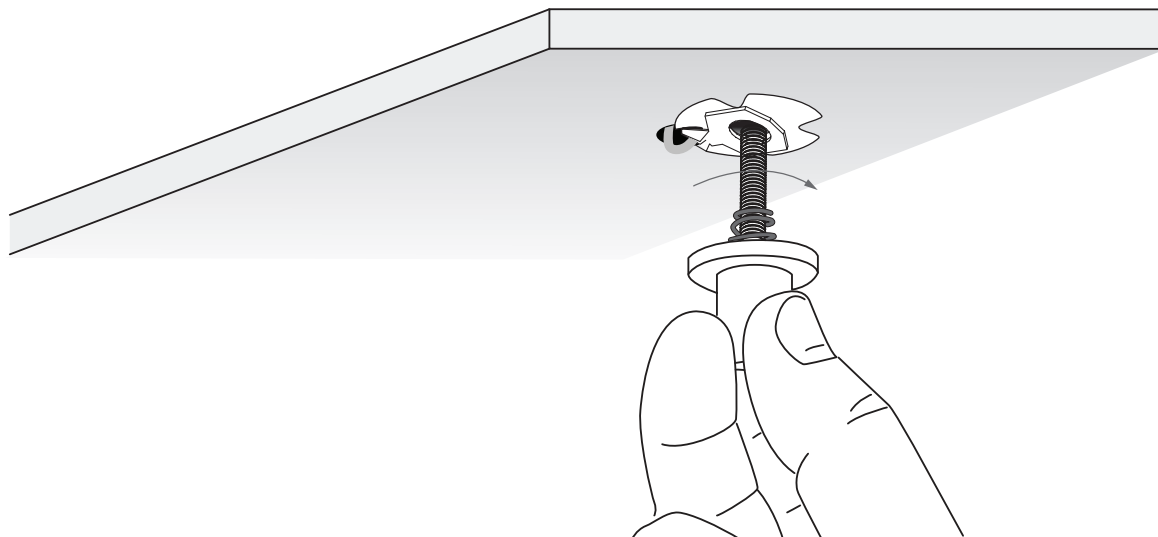


Mounting Instruction

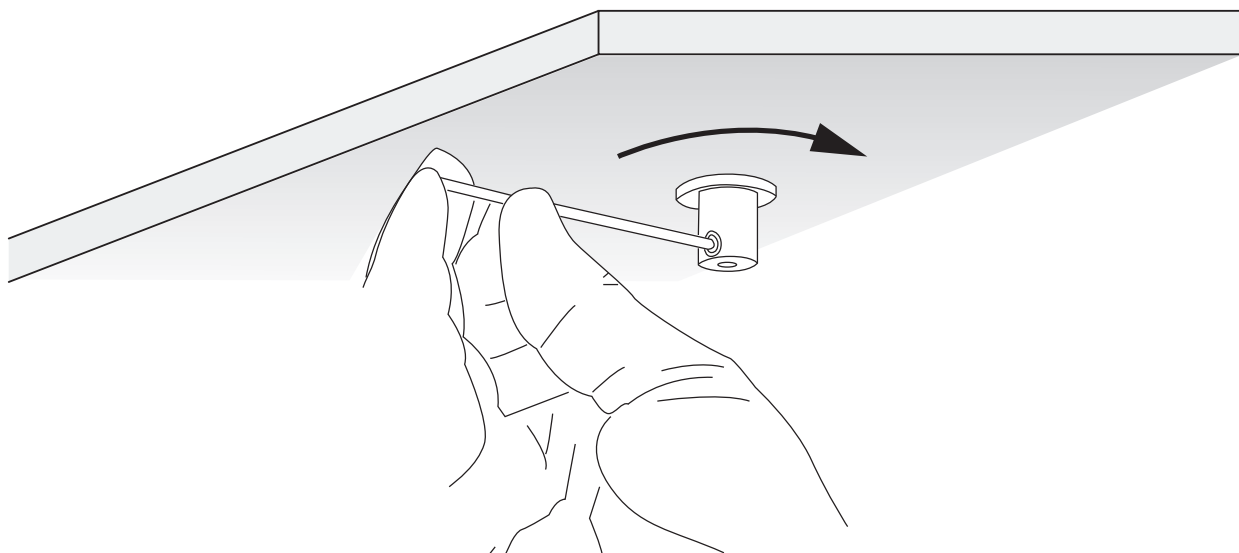
10.



11.



12.



13.

