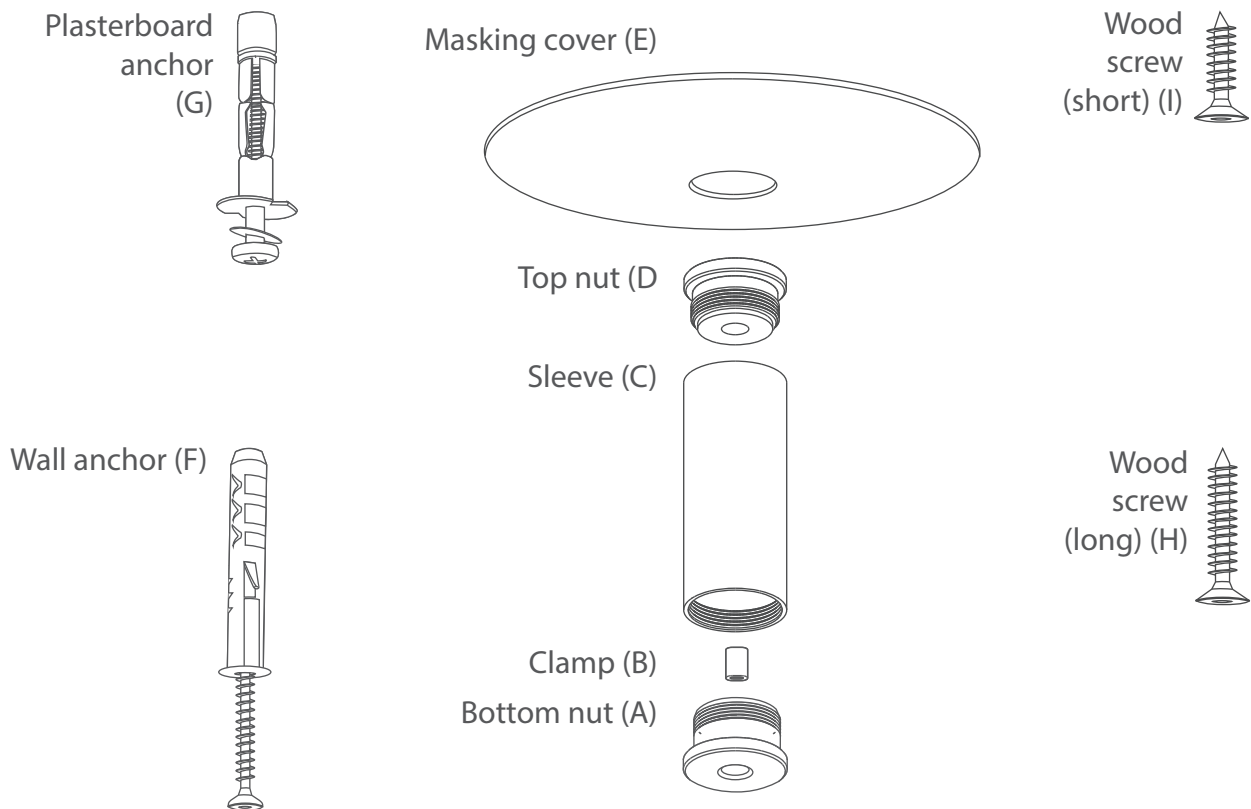


Parts needed to mount fastener

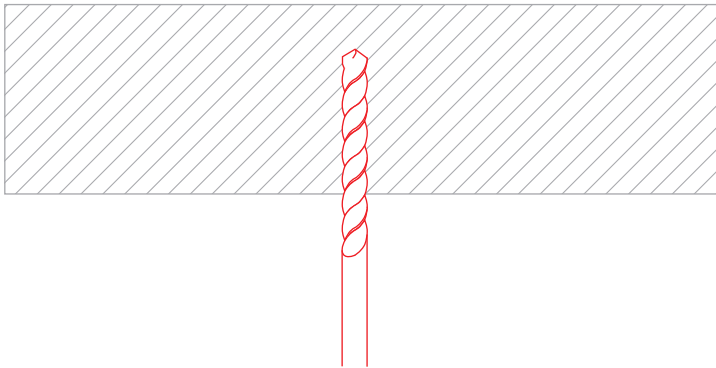


Tools needed for mounting:

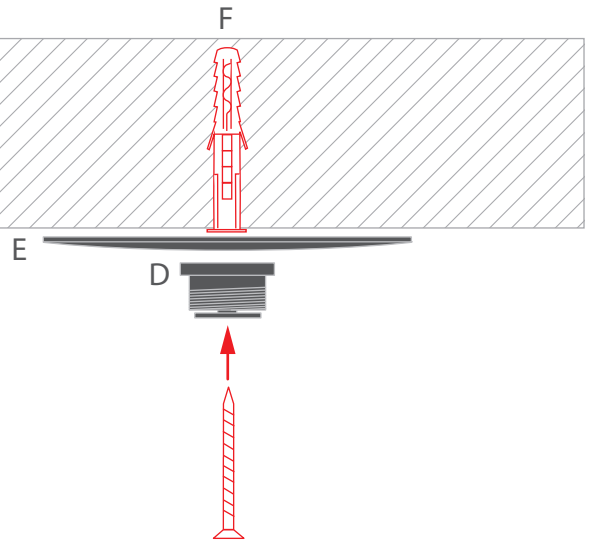
- Allen wrench
- drill
- pliers

**NOTE!** A list of products corresponding with the selected accessories is available at [www.klusdesign.eu](http://www.klusdesign.eu)

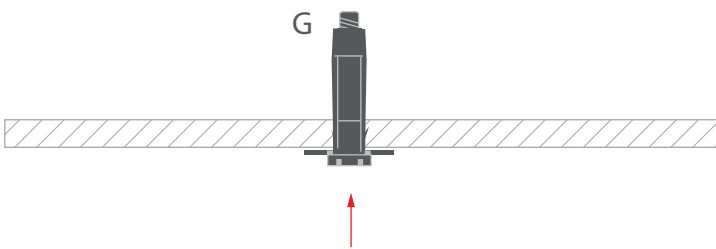
**1.** Drill a hole in the mounting surface, which determines the mounting system to be used (brick wall, plasterboard, wood etc.).



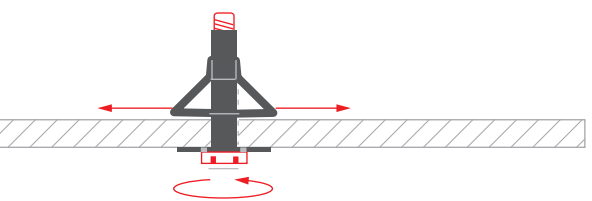
**2a. BRICK WALL:** Insert the anchor (F) and attach the masking cover (E) and top nut (D) with the screw.



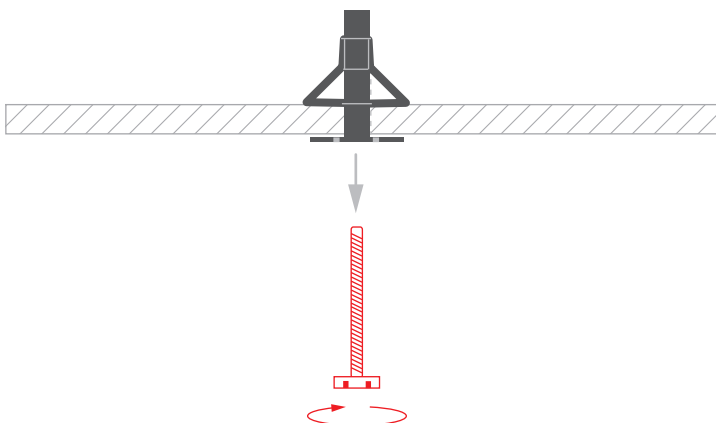
**2b. PLASTERBOARD:** Insert the plasterboard anchor (G) into the hole.



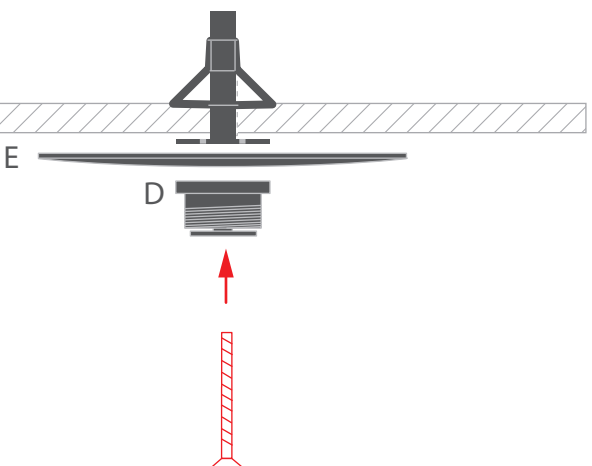
**2c.** Expand the anchor by tightening the bolt in it. This will block the anchor in the ceiling.



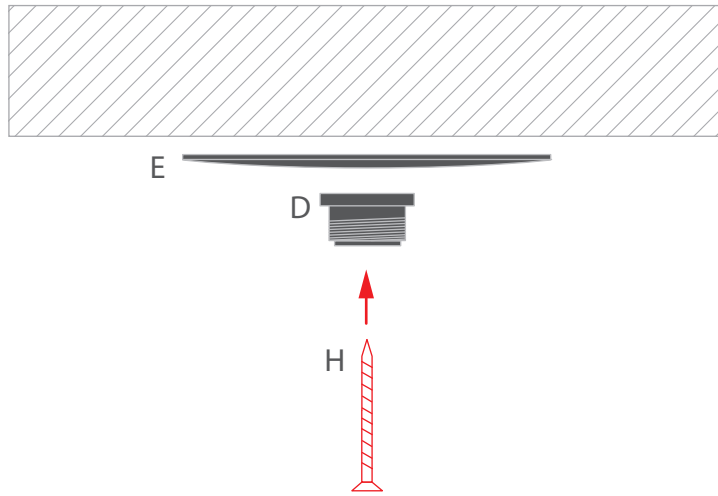
**2d.** Remove the bolt from the anchor.



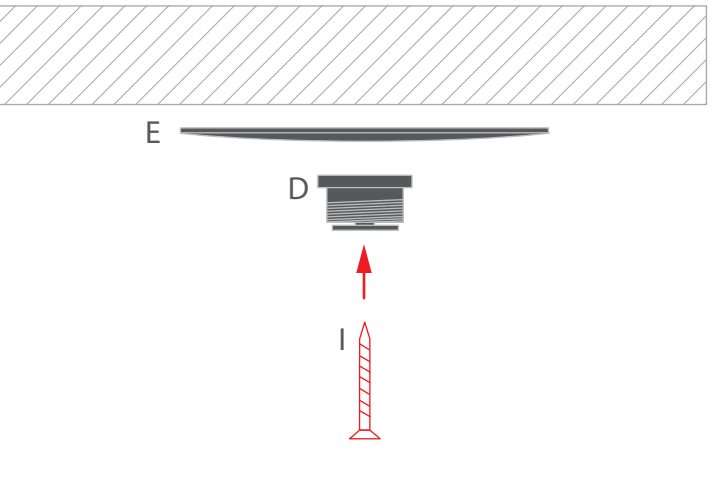
**2e.** Attach the masking cover (E) and top nut (D) with the screw.



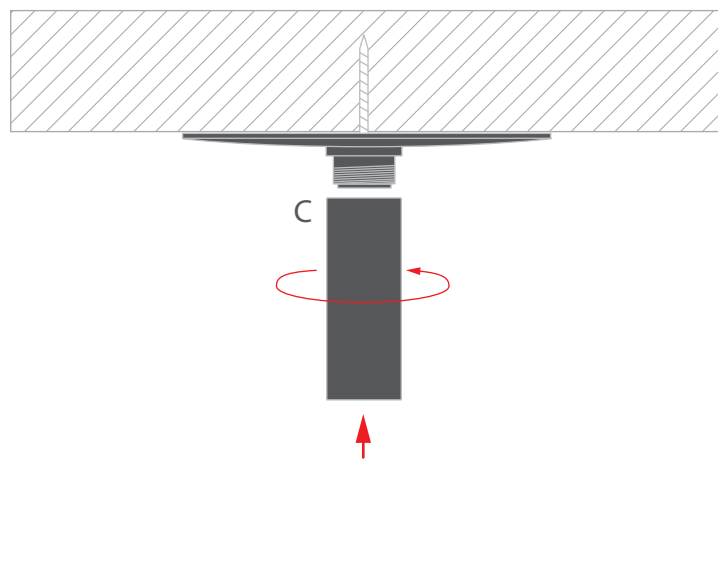
**2f. WOOD:** Attach the masking cover (E) and top nut (D) to the wooden surface with the wood screw (H).



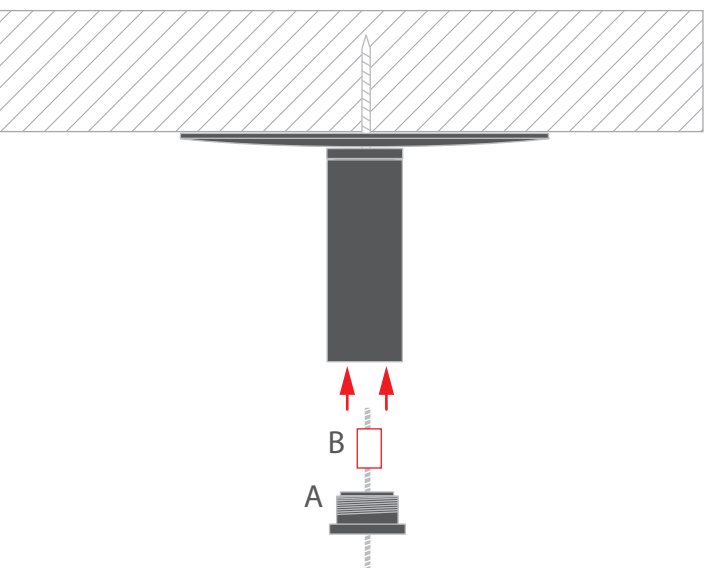
**2f. WOOD (lower thickness):** Attach the masking cover (E) and top nut (D) to the wooden surface with the short wood screw (I).



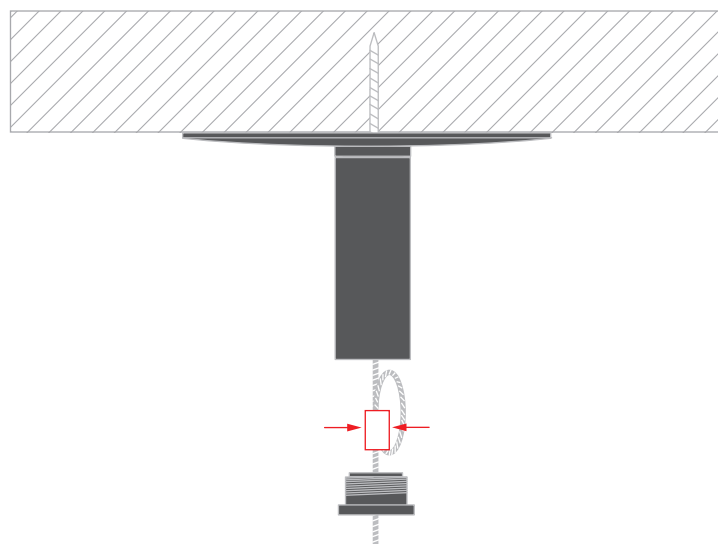
**3.** Screw the sleeve (C) onto the top nut.



**4.** Run the cable through the bottom nut (A) and the clamp (B).



**5.** Run the steel cable the second time through the clamp. Then squeeze the clamp with e.g. pliers to stop the steel cable from moving.



**6.** Insert the clamp with the steel cable into the sleeve and attach the bottom nut to it.

