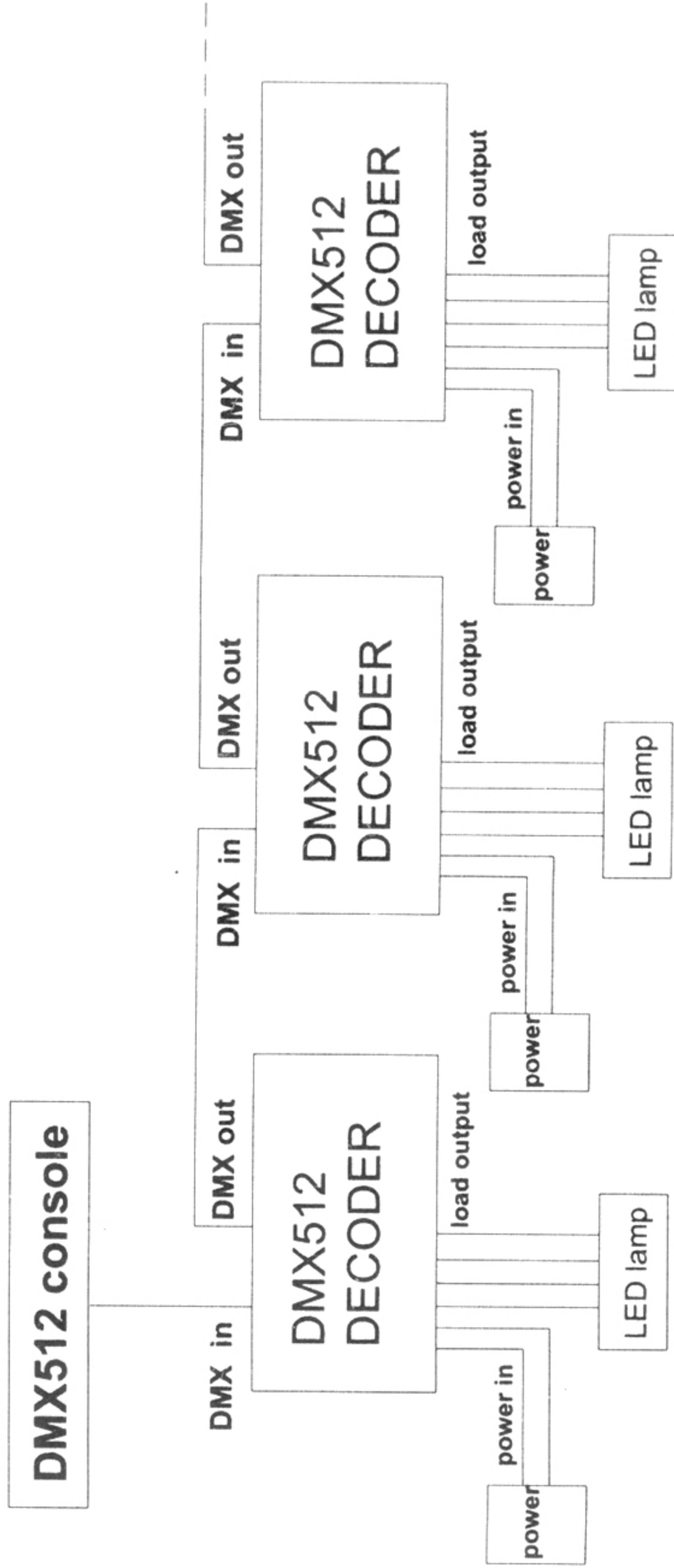


V.Connect Diagram



USER MANUAL



DMX512 DECODER

I. Specifications

Working temperature: -20-60 °C
 Supply voltage: DC 12-24V
 Product size: L166×W67×H41 mm
 Package size: L185×W85×H59mm
 Net weight:340g
 Gross weight:380g
 Output: Three CMOS drain- open output
 Connecting Mode: Common anode
 Max output current: 4 A each color

II. Function

- Each DMX common controller occupied 3 DMX addresses, adopt coding switch set address, it is a Binary numerical code switch which is setting DMX original address code from 1 to 9, 1 is the lowest, and 9 is the highest,511 address codes could be setted in all.DMX original address code equal aggregate value of the coding switch value from 1 to 9,dial the coding switch upwards(ON is setted 1),the value of bit can be gotten, on the contrary, the value of bit is 0.For example:if you want to set 37 as the address code,you can only dial down the first,the third and the sixth code switch, the aggregate value of coding switch value from 1 to 9 is 32+4+1,that is,the original address code of DMX512 is 37.
- DMX signal can be received when coding switch FUN(10)=OFF(ON is setted 0).
- when coding switch that FUN(10) is ON,its function is as follows:

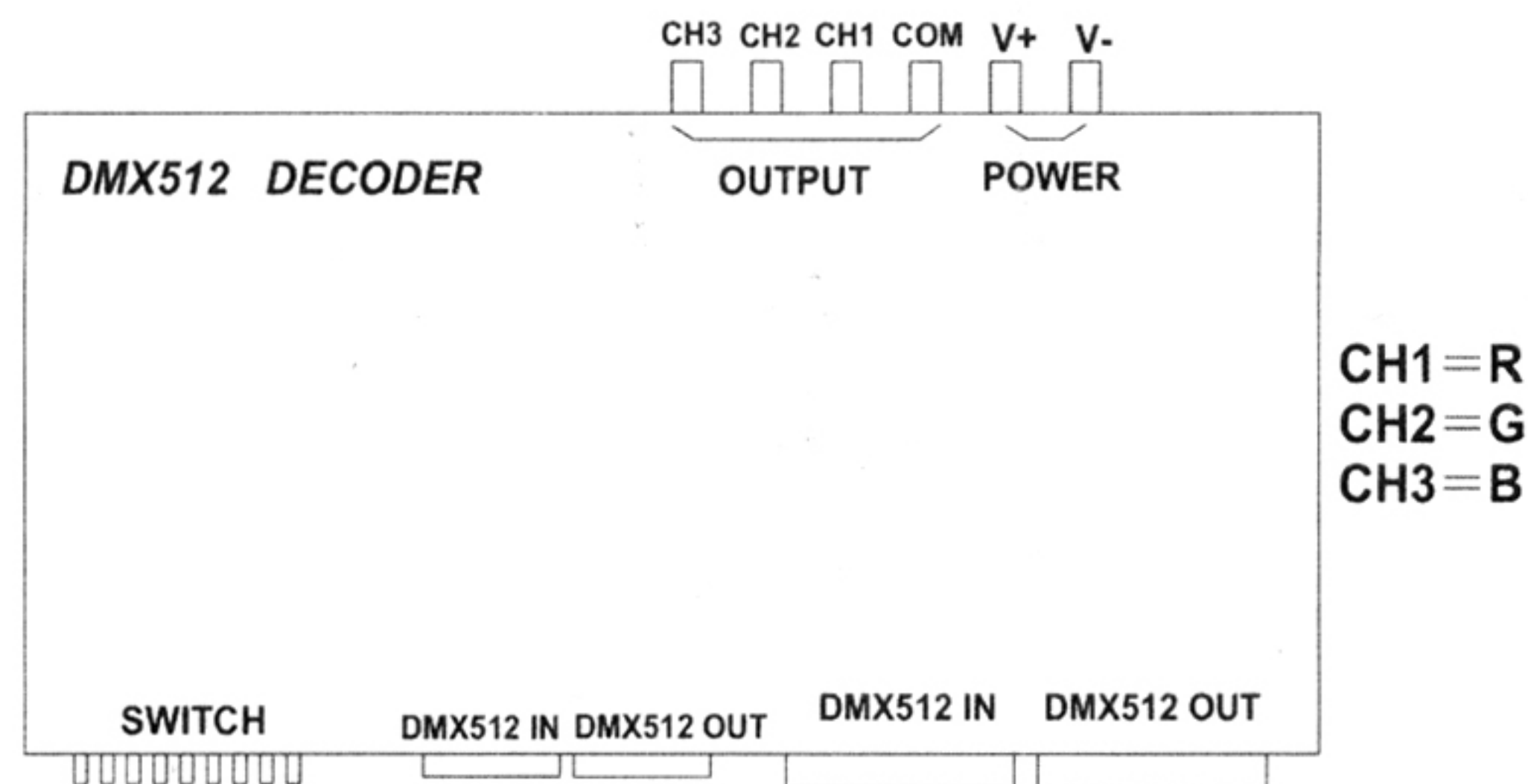
Coding switch	Function
switch1-9 is off	black
Switch1=ON	red
Switch2=ON	green
Switch3=ON	blue
Switch4=ON	yellow
Switch5=ON	purple
Switch6=ON	cyan
Switch7=ON	white
Switch8=ON	seven-color jumpy changing(8 steps speed)
Switch9=ON	seven-color gradual changing(8 steps speed)

- If coding switch is 8 or 9,from 1 to 7 is the choice for speed,there are 8 steps in all, the description is as follows:

Coding switch	Function
switch1-7 is off	0 steps
Switch1=ON	1 steps
Switch2=ON	2 steps
Switch3=ON	3 steps
Switch4=ON	4 steps
Switch5=ON	5 steps
Switch6=ON	6 steps
Switch7=ON	7 steps (the greatest speed)

- There are several switches is ON at the same time, the great value is standard.

III. Interface diagram



IV.Safety Information

- The input voltage of this controller should be follow. The specifications,Other high voltage would most probably destroy it.
- Never connect two wires directly in case of short circuit.
- Lead wire should be connected correctly according to colors that connecting diagram.
- Warranty of this product is one year, in this period we guarantee replacement or repairing with no charge, but exclude the artificial situation of damaged.