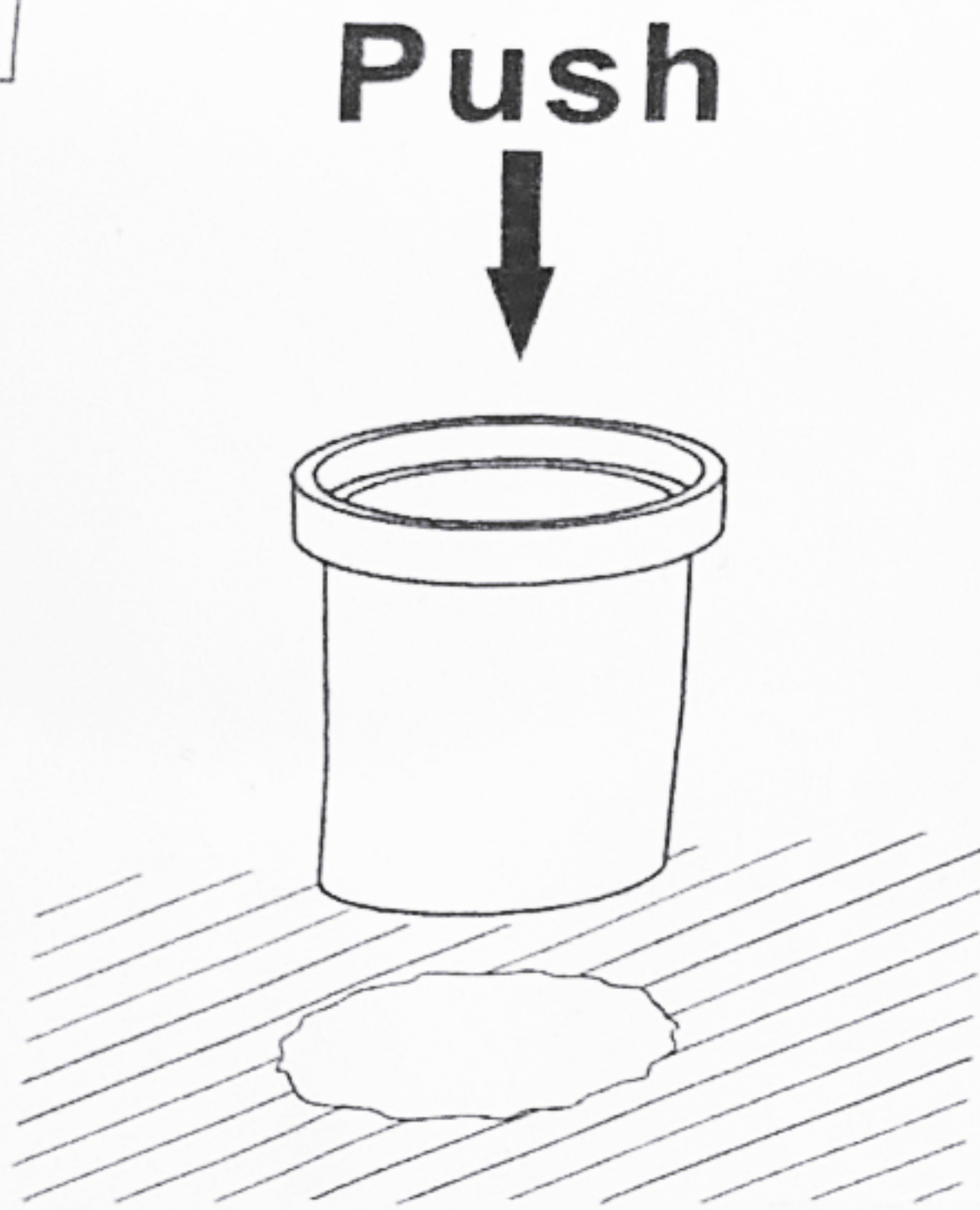


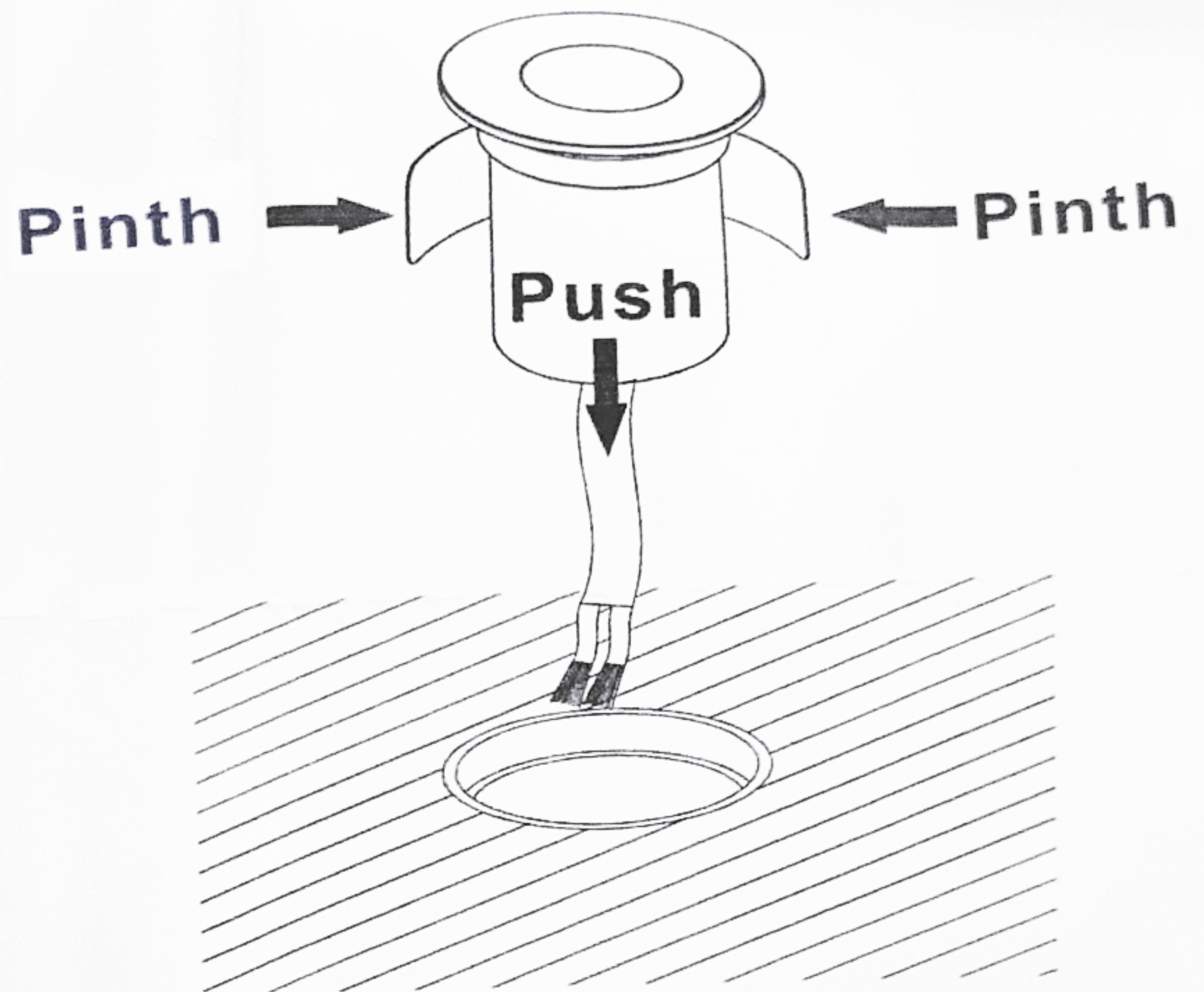
### INSTALLATION INSTRUCTION

1. The fixture is for 3W / 700ma .
2. IP Rating : IP68.
3. Before installation, make sure that the power supply is off.
4. Follow the steps as shown below for installation or replacement of bulb.
5. Please make sure the wire connection must be waterproof.
6. After finishing every step, tighten the screws, have the fixture fixed, then connect the power supply.
7. It is recommended that these products are installed by a qualified electrician.

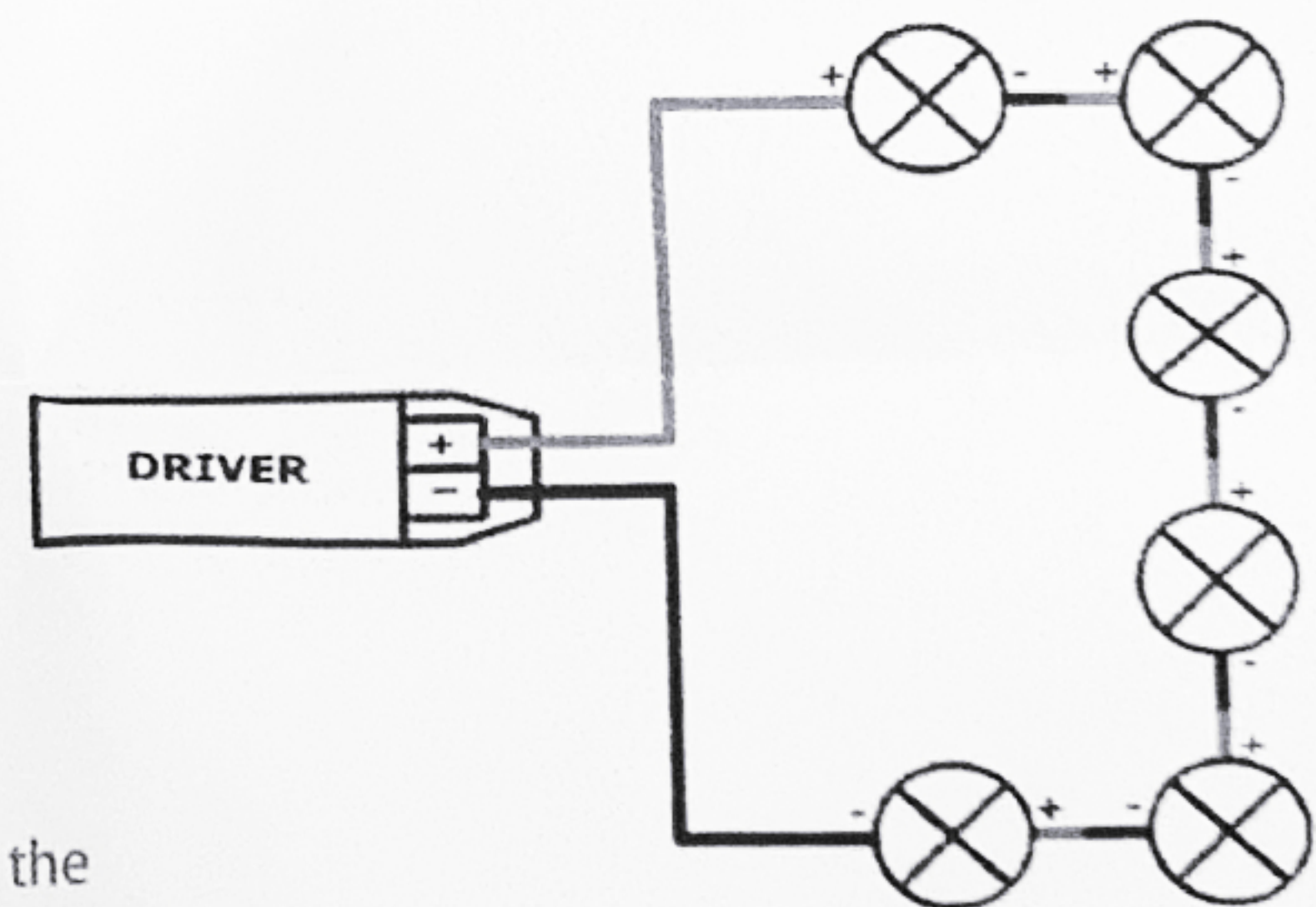
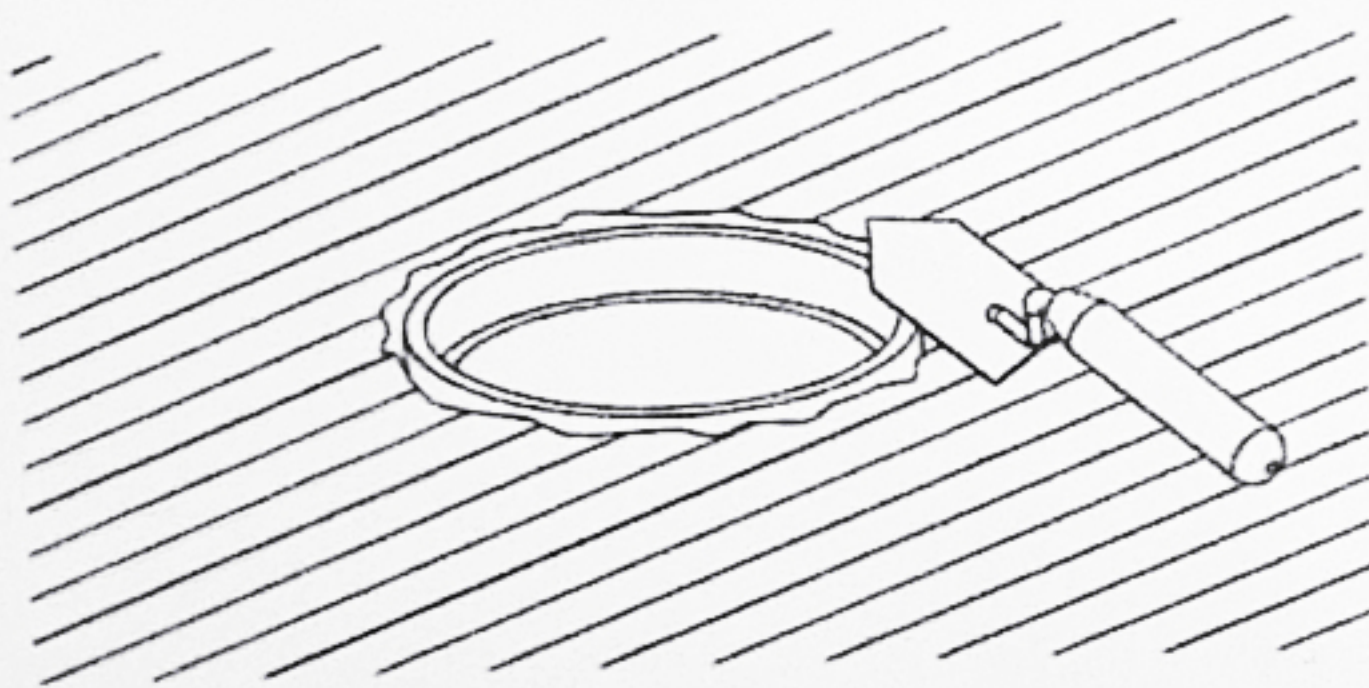
**A**



**C**



**B**



#### Wiring - 700mA 3W Constant Current

WARNING : All the drivers must be wired in series as shown in the diagram. if the LEDs are not wired correctly it will result in irreparable damage to the LEDs and LED Drivers. Incorrect wiring will invalidate your warranty.

