

LED Shoebox Light / Packing Lot Installation Instructions

Version: C9

Pre-Installation Considerations

- Unpack and check the product carefully.
- If there is any damage on new products, please keep the product packaging and timely reflect to us.
- Please do not attempt to use a damaged product.
- It should be installed by a qualified electrician.
- Non-professional personnel must not disassemble or maintain the lamp, or otherwise has the rights to refuse any warranty service.
- When in installation and use, the lamp must not vertical upward.

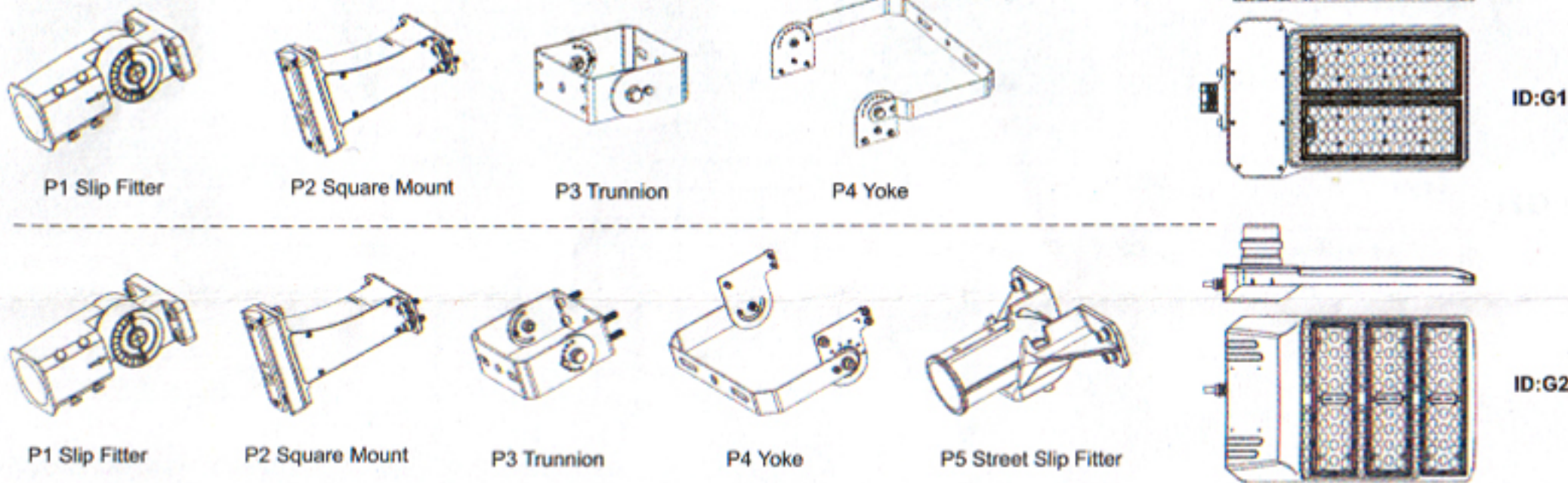
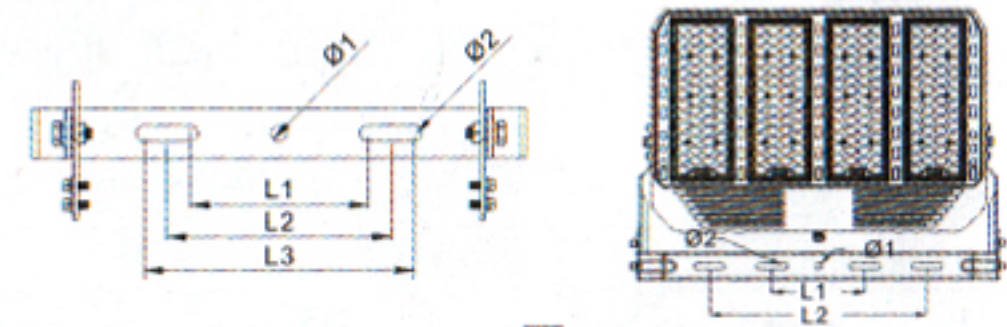
(ID:G1)	PL60W-01	PL80W-01	PL100W-01	PL120W-01	PL150W-01	PL180W-01	PL200W-01
	PL240W-01	PL300W-01	PL400W-01	PL450W-01	PL500W-01		
(ID:G2)	PL50W-01	PL80W-01	PL100W-01	PL120W-01	PL150W-01	PL200W-01	PL240W-01
	PL300W-01						



01 Series

3.1. Installation Dimensions(Unit: mm)

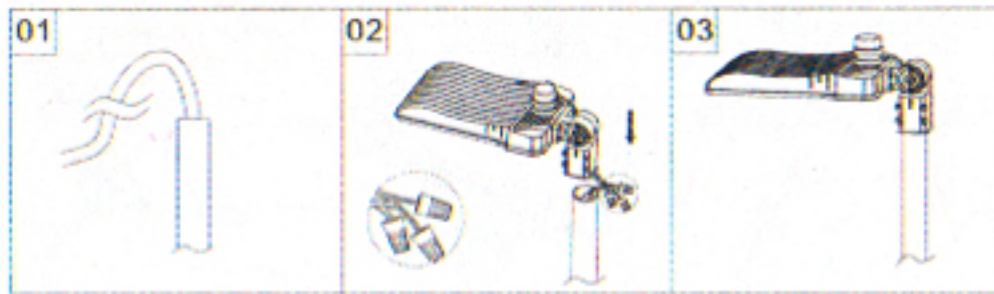
Product name	L1	L2	L3	Ø1	Ø2
PL60W/80W/100W/120W/150W-01 (ID:G1)	143	180	217	13	13
PL180W/200W/240W-01 (ID:G1)	143	180	217	13	13
PL300W-01 (ID:G1)	143	180	217	13	13
PL400W/450W/500W-01 (ID:G1)	180	420	/	13	13
PL50W/80W-01 (ID:G2)	132.5	180	227.5	12.5	12.5
PL100W/120W/150W-01 (ID:G2)	132.5	180	227.5	12.5	12.5
PL200W/240W-01 (ID:G2)	132.5	180	227.5	12.5	12.5
PL300W-01 (ID:G2)	132.5	180	227.5	12.5	12.5



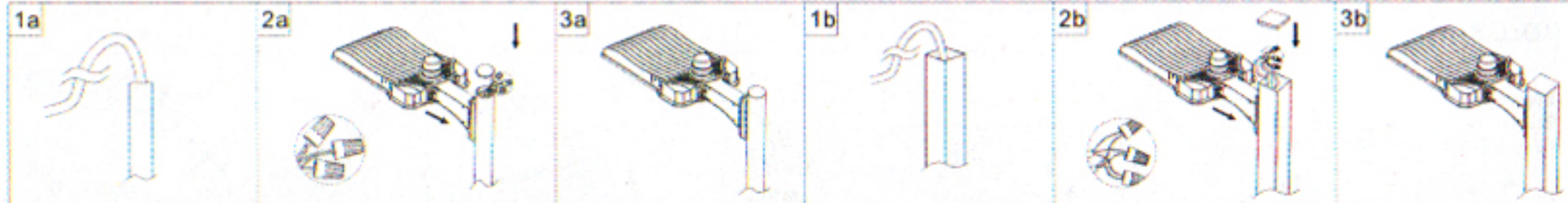
3.2. Installation Method:

(ID:G1-P1/P2/P3/P4)

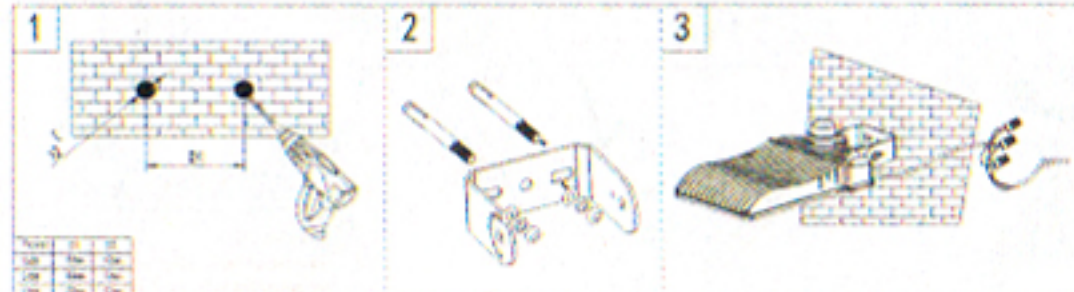
P1 Slip Fitter



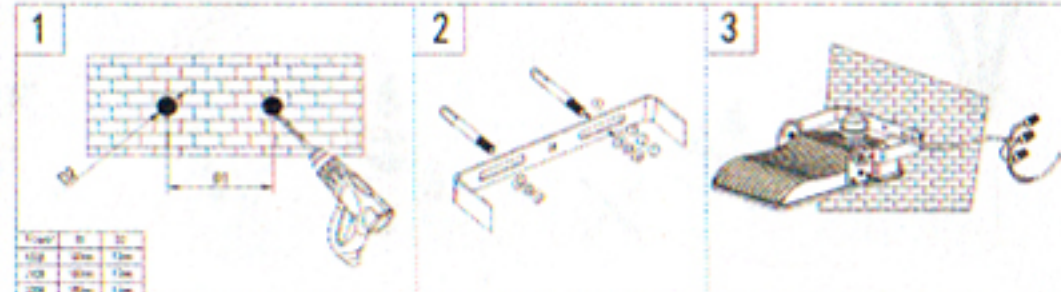
P2 Square Mount



P3 Trunnion



P4 Bracket

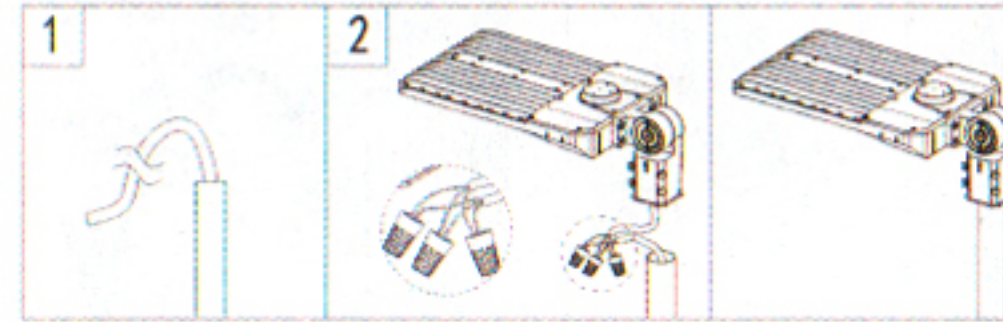


LED Shoebox Light / Packing Lot Installation Instructions

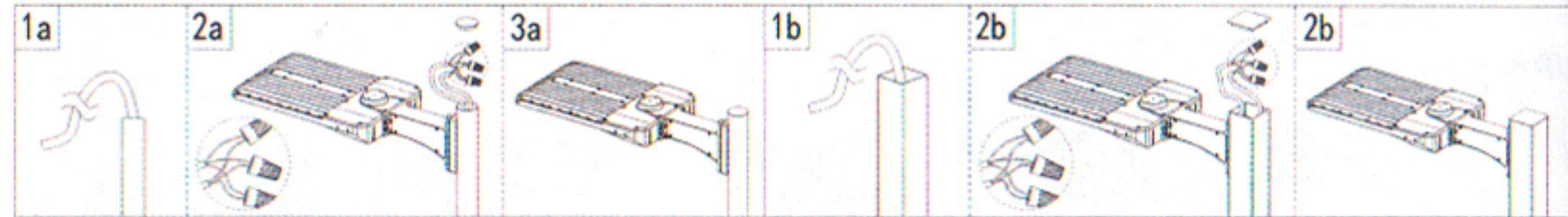
Version: C9

(ID:G2-P1/P2/P3/P4/P5)

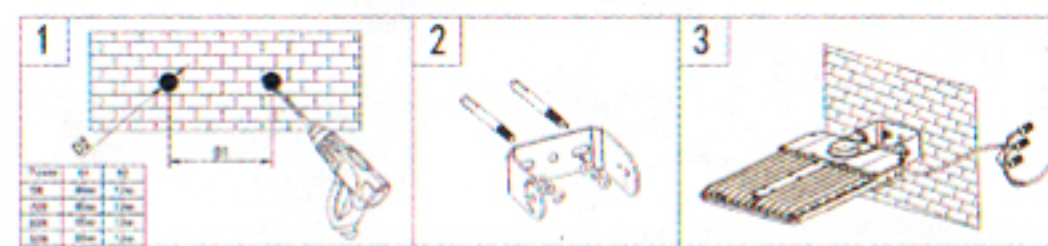
P1 Slip Fitter



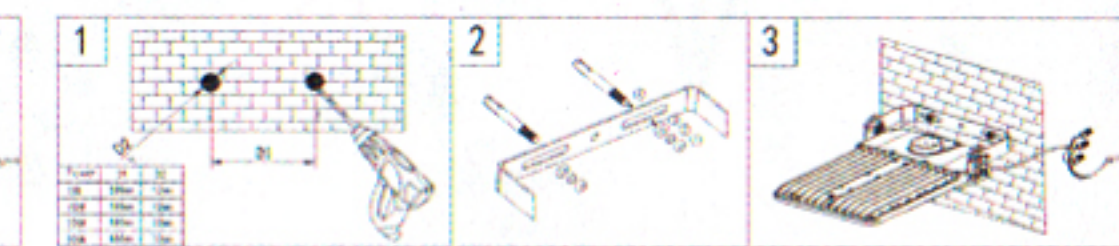
P2 Square Mount



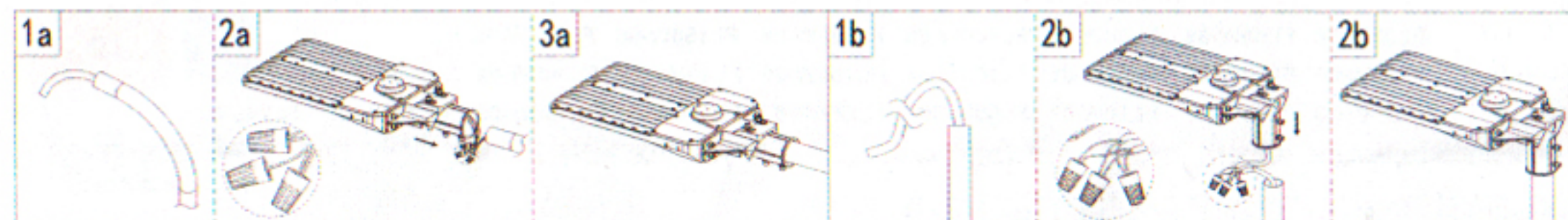
P3 Trunnion



P4 Yoke



P5 Street Slip fitter



3.3. Sensor Options (Available for PL01-G1/G2 or HY-01-G1)



C1 Short Circuit Cap

Rated Voltage: 0-480VAC
 Load Rated: Max current 15A
 Operating Temperature: -40°C to +70°C
 Housing: UV stabilized PC
 Size: 74mm or 80mm



C2 Photocell Sensor

Rated Voltage: 110-277VAC
 Applicable Voltage Range: 105-305VAC
 Rated Frequency: 50/60Hz
 Rated Loading: 1000W Tungsten, 1800VA Ballast
 Power Consumption: 1.5VA [3VA for -HP]
 On/Off Level: 6Lx On / 50Lx Off
 Ambient Temp.: -40°C ~ +70°C
 Related Humidity: 99%
 Overall Size: 84(Dia.) x 66mm
 Weight Approx.: 85 grs

Operating voltage: 120~277Vac, 50Hz/60Hz

Rated capacitive load: 120V@400W;220-240V@800W;277V@1000W

HF system: 5.8GHz±75MHz, ISM wave band

Transmitting power: <0.5mW

Power consumption: <0.5W(standby), <1W(operation)

Detection zone Max.(D x H): 16m x 15m

Detection sensitivity: 10% / 50% / 75% / 100%

Hold time: 5s / 30s / 90s / 3min / 20min / +∞

Daylight sensor: 2lux/5lux / 10lux / 25lux / 50lux / 100lux / Disable

Stand-by period: 0s / 5s / 5min / 10min / 30min / 1h / +∞

Stand-by dimming level: 10% / 20% / 30% / 50%

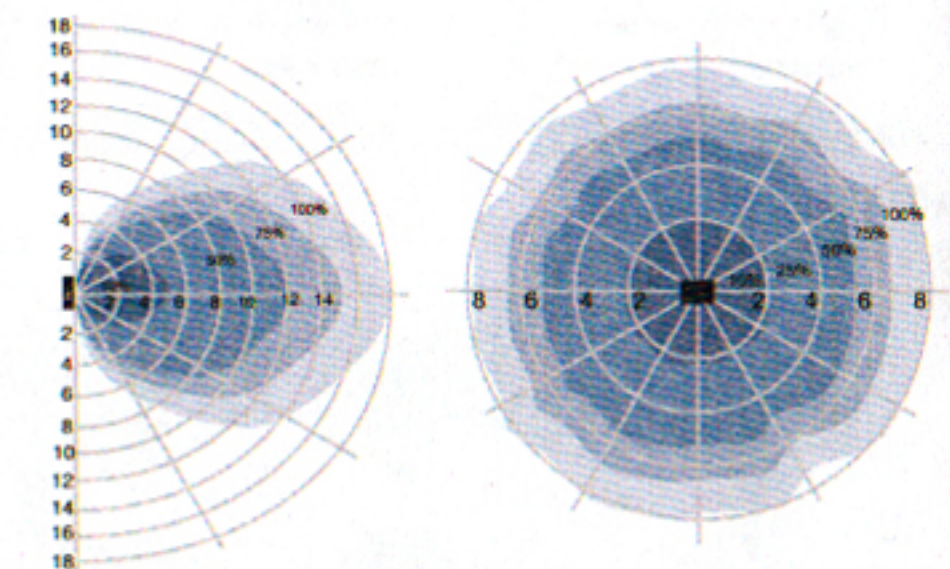
Mounting height: 15m Max.

Motion detection: 0.5~3m/s

Detection angle: 150°(wall installation), 360°(ceiling installation)

Operating temperature: -35°C ~70°C

1. Microwave Motion Sensor

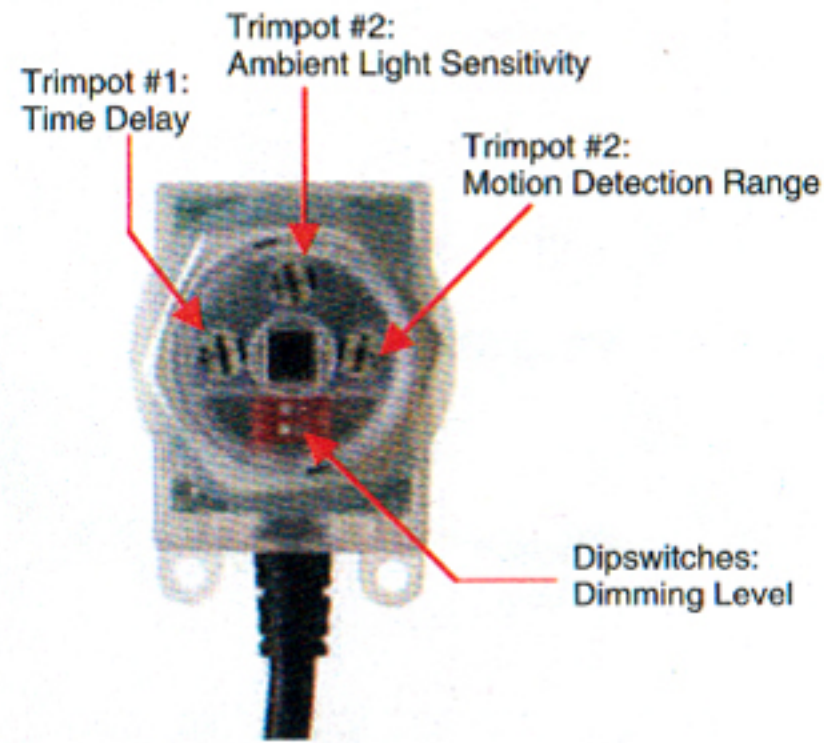
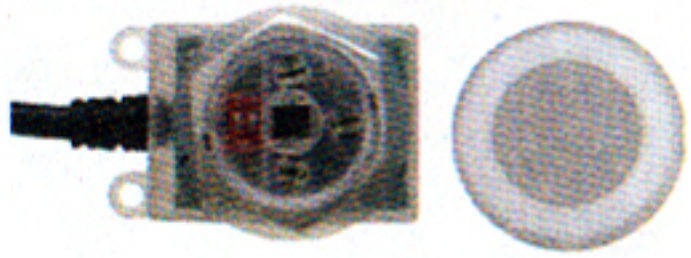


Wall mounting pattern (Unit: m) Suggested installation height: 1-1.8m
 Ceiling mounting pattern (Unit: m) Suggested installation height: 2.5-10m

2. Optional-PIR Sensor

Sensor Type: Quad Element PIR
 0-10V Output: 100mA (multiple drivers)
 Low: 100mA sink current
 Best Performance: 12 ft / 113 ft 2
 Photocell Sensitivity: 30 Lux to daylight
 Storage Temperature: -40°C to 80°C
 Mounting: Fixture or ceiling mount (max 40ft)

Input Voltage: 12-24VDC
 High: Vin-2.5V 100mA source
 Max Sensor Range: 40 ft / 980 ft 2
 Time Delay: 5 sec to 30 min
 Operating Temperature: -30°C to 70°C
 Relative Humidity: 90-95% non-condensing
 Color: White



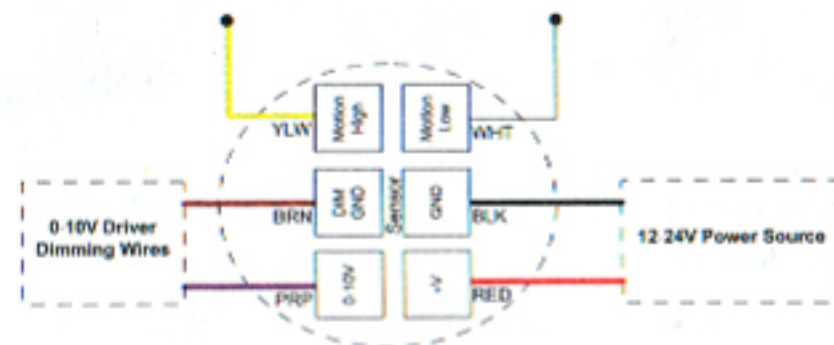
Settings Adjustment

Dipswitch 1	Dipswitch 2	DIM Level
OFF	OFF	OFF
OFF	ON	10%
ON	OFF	25%
ON	ON	50%

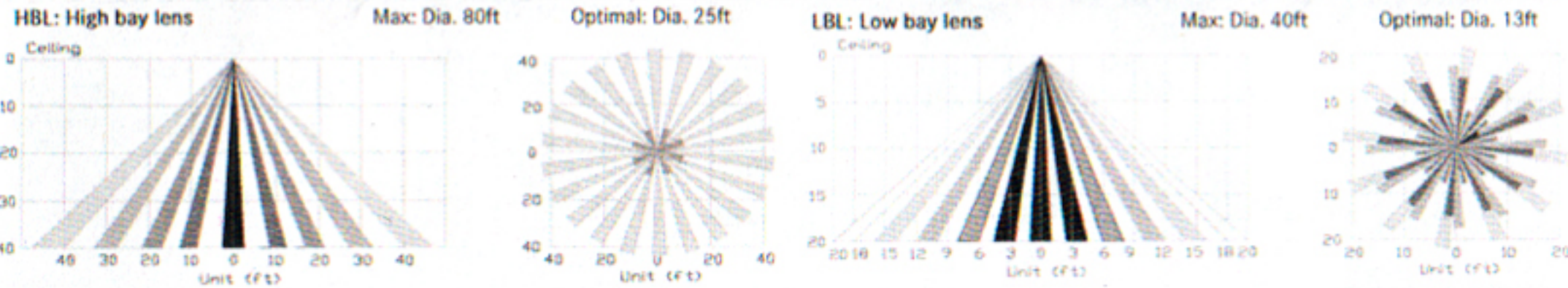
*Trim pot #1 on left adjusts time delay. Trim pot #2 in the middle adjusts ambient light sensitivity. Trim pot #3 on right adjusts motion detection range and sensitivity. Turn clockwise to increase, turn counterclockwise to decrease.

Wiring

Note: if using power pack as power source, connect motion high and/or motion low, depending on power pack relay circuitry.



Detection Area

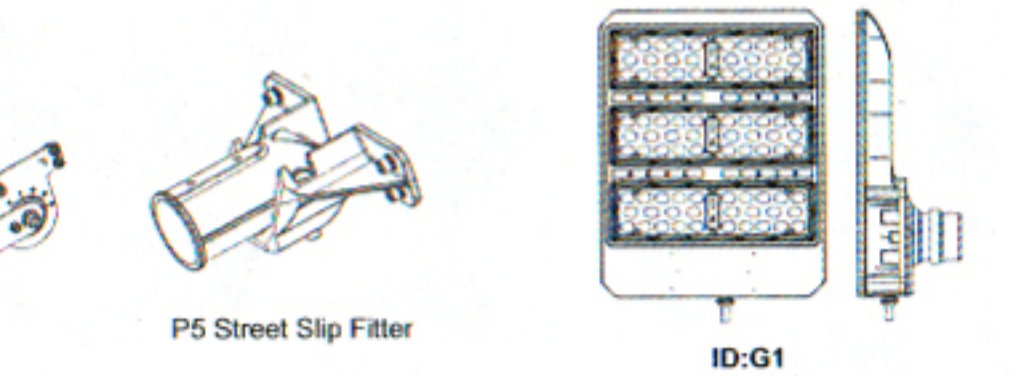
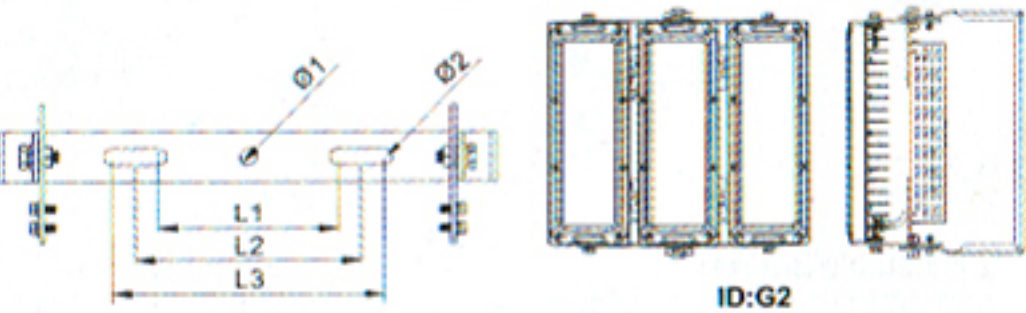


(ID:G1)	HY100W-01	HY120W-01	HY150W-01	HY200W-01	HY240W-01	HY300W-01
(ID:G2)	HY100W-01	HY240W-01	HY360W-01	HY500W-01		



4. 1. Installation Dimensions(Unit: mm)

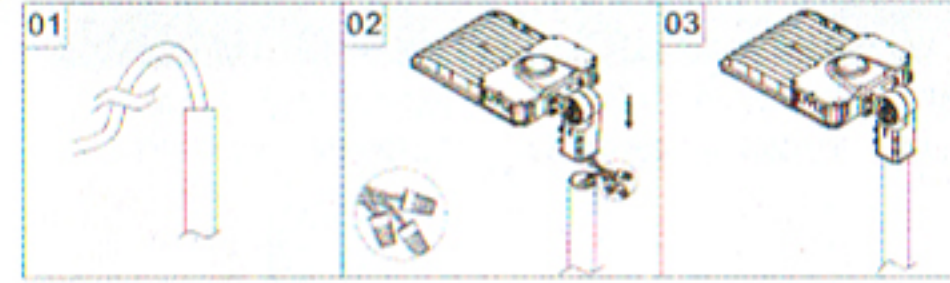
Product name	L1	L2	L3	Ø1	Ø2
HY100W/120W/150W-01 (ID:G1)	107.5	160	212.5	16.5	12.5
HY200W/240W-01 (ID:G1)	107.5	160	212.5	16.5	12.5
HY300W-01 (ID:G1)	107.5	160	212.5	16.5	12.5
HY100W-01 (ID:G2)	107.5	160	212.5	16.5	12.5
HY240W-01 (ID:G2)	132.5	180	227.5	12.5	12.5
HY360W-01 (ID:G2)	132.5	180	227.5	12.5	12.5
HY500W-01 (ID:G2)	132.5	180	227.5	12.5	12.5



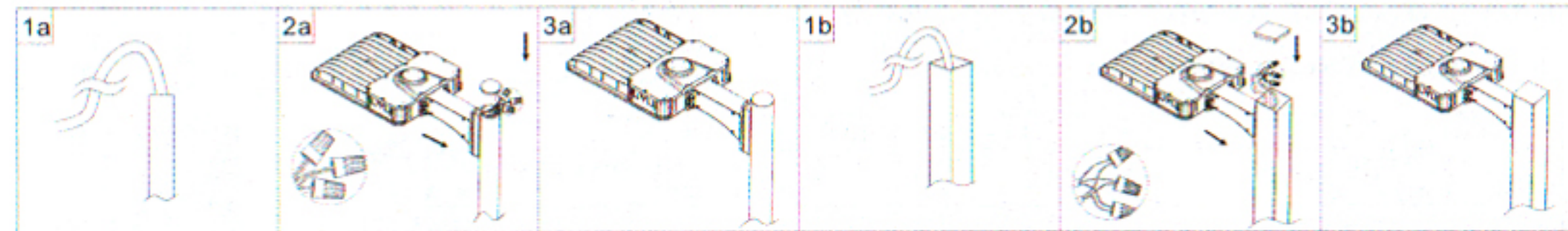
4. 2. Installation Method:

(ID:G1-P1/P2/P3/P4/P5)

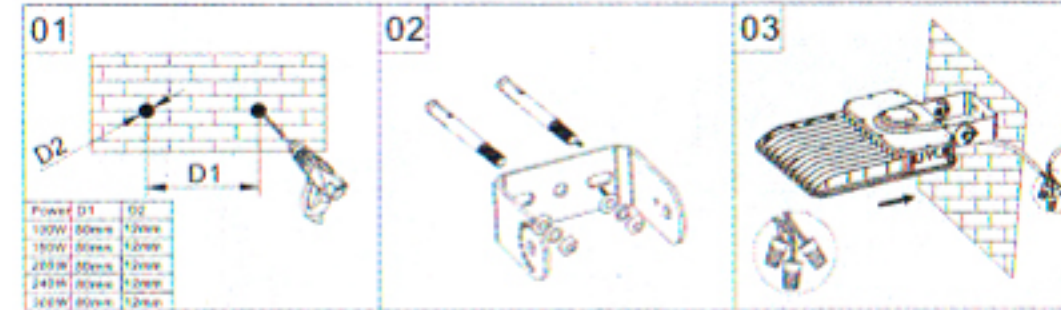
P1 Slip fitter



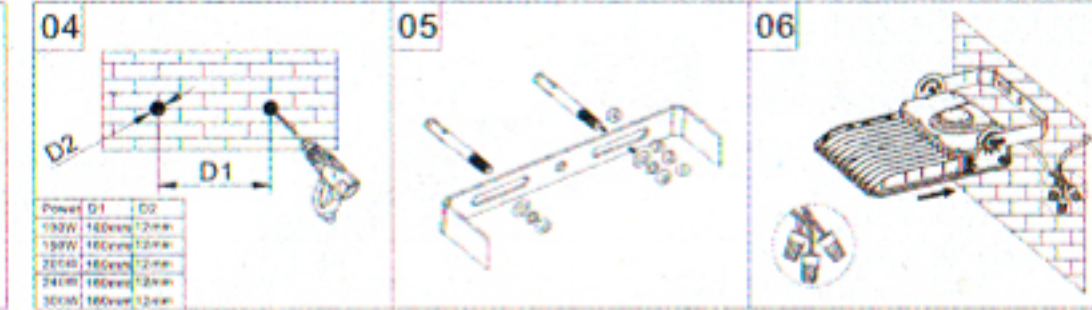
P2 Square Mount



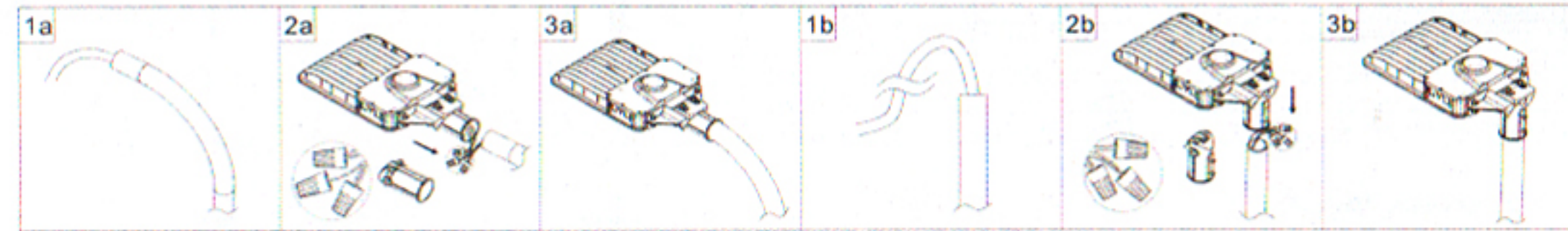
P3 Trunnion



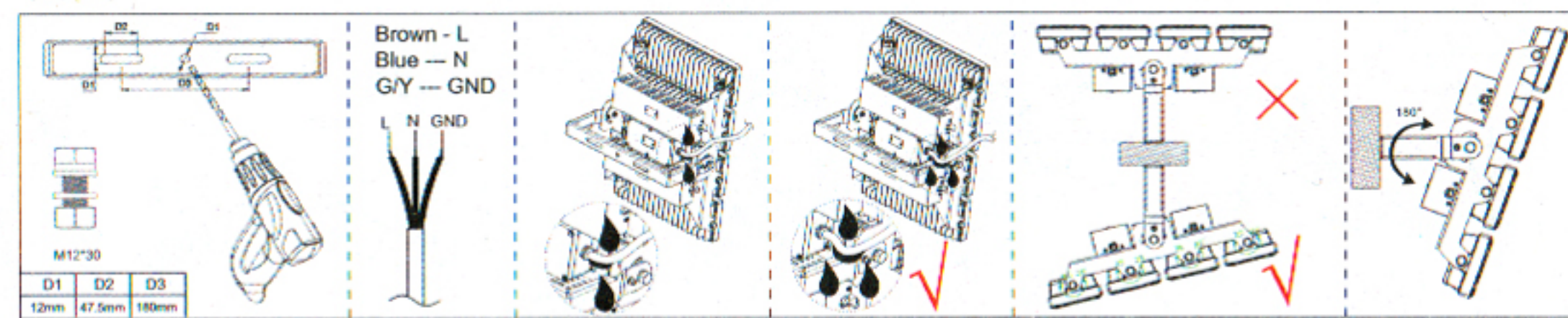
P4 Yoke



P5 Street Slip fitter



(ID:G2)



5. Attention

1. Install by qualified electricians only.
2. Make sure that the supply voltage is disconnected before installation.
3. Make sure the voltage is suitable with the lamps, and L/N/G connect properly.
4. All the lights during installation or using should not be led's cover vertical upside or vertical down.
5. Don't open the lamps without Manufacturer's Authorized.

LED Floodlight Installation Instructions

Version: C9

Pre-Installation Considerations

- Unpack and check the product carefully.
- If there is any damage on new products, please keep the product packaging and timely reflect to us.
- Please do not attempt to use a damaged product.
- It should be installed by a qualified electrician.
- Non-professional personnel must not disassemble or maintain the lamp, or otherwise has the rights to refuse any warranty service.
- When in installation and use, the lamp must not vertical upward.

LED Floodlight Installation Instructions

Version: C9

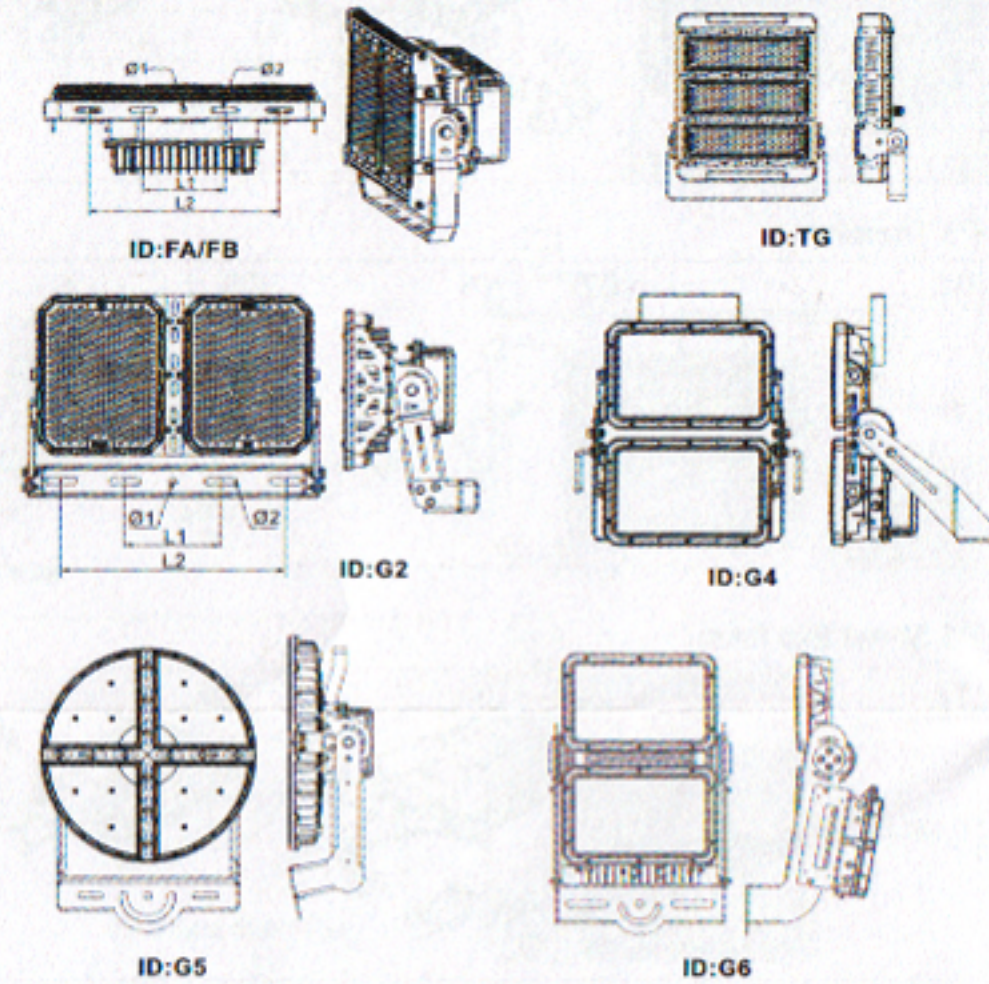
(ID:TG)	FL50W-07-X1-50W	FL50W-07-X2-100W	FL50W-07-X3-150W	FL50W-07-X4-200W	FL50W-07-X5-240W
(ID:FA/FB)	FL120W-07-X2-240W	FL120W-07-X3-360W	FL120W-07-X4-480W	FL120W-07-X6-720W	FL120W-07-X8-960W
(ID:G2)	FL400W-07	FL500W-07	FL800W-07	FL1000W-07	
(ID:G3)	FL300W-07	FL400W-07	FL450W-07	FL500W-07	
(ID:G4)	FL200W-07	FL240W-07	FL400W-07	FL500W-07	FL800W-07
(ID:G5)	FL300W-07	FL400W-07	FL500W-07	FL600W-07	FL700W-07
(ID:G6)	FL400W-07	FL500W-07	FL800W-07	FL1000W-07	



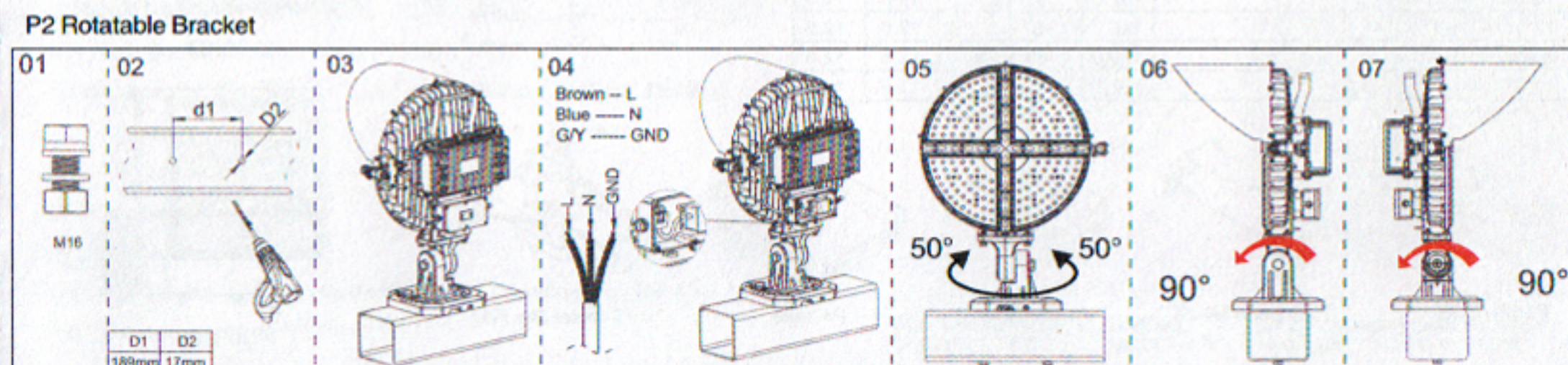
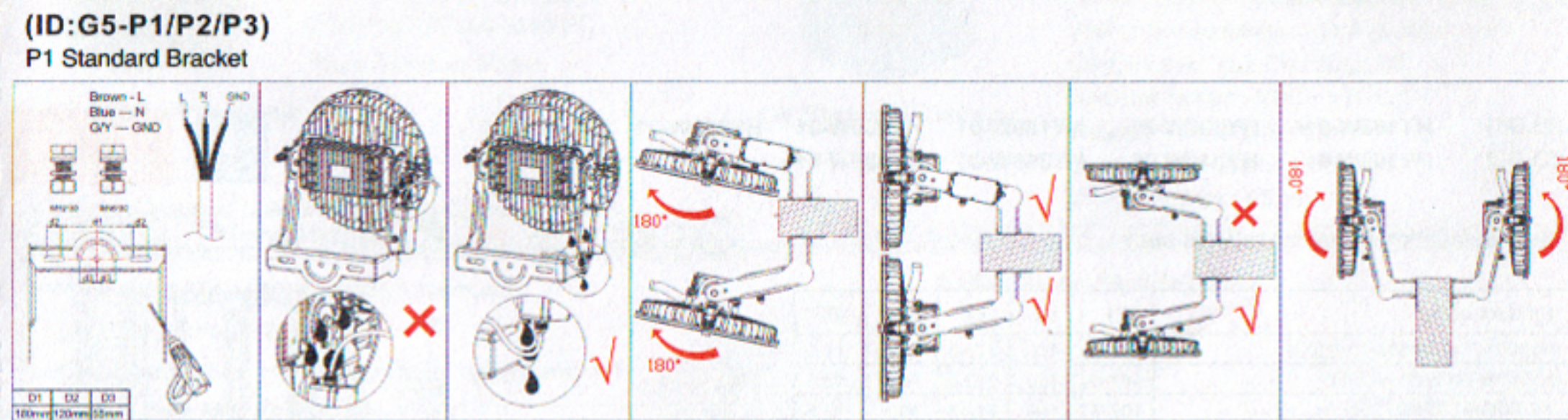
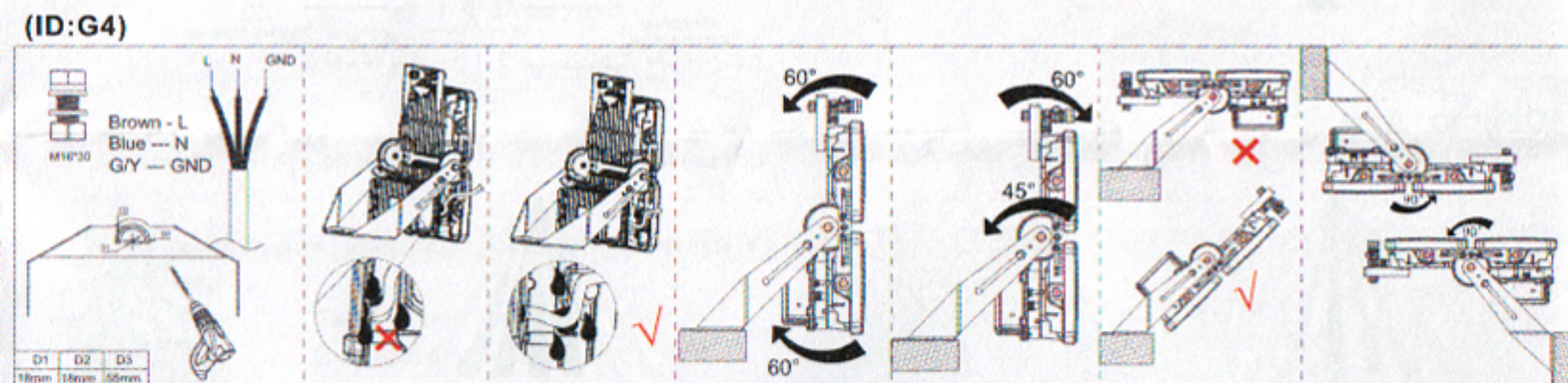
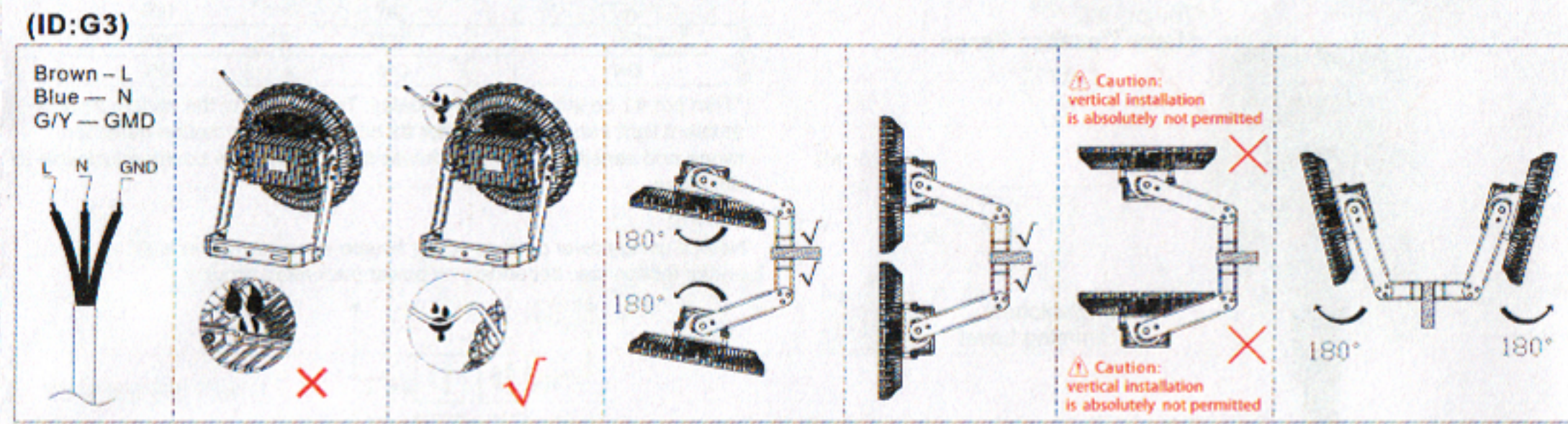
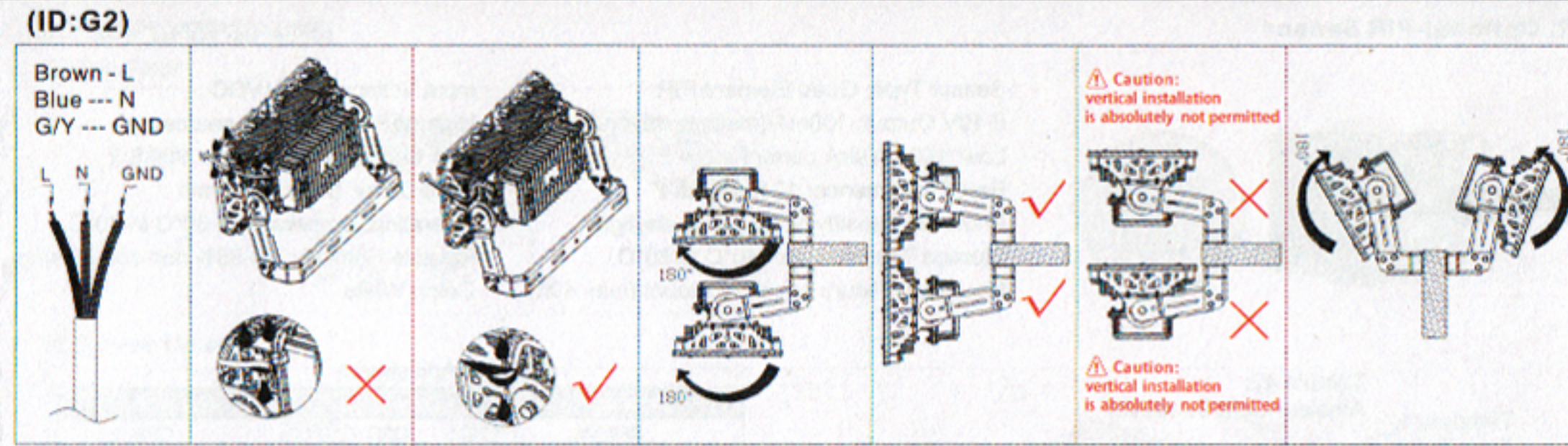
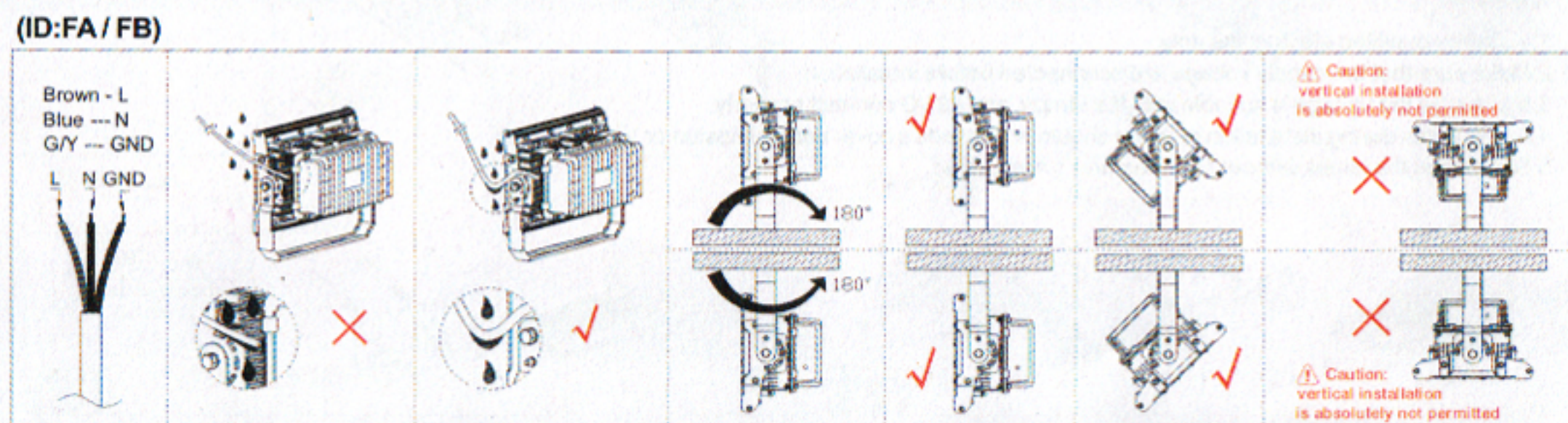
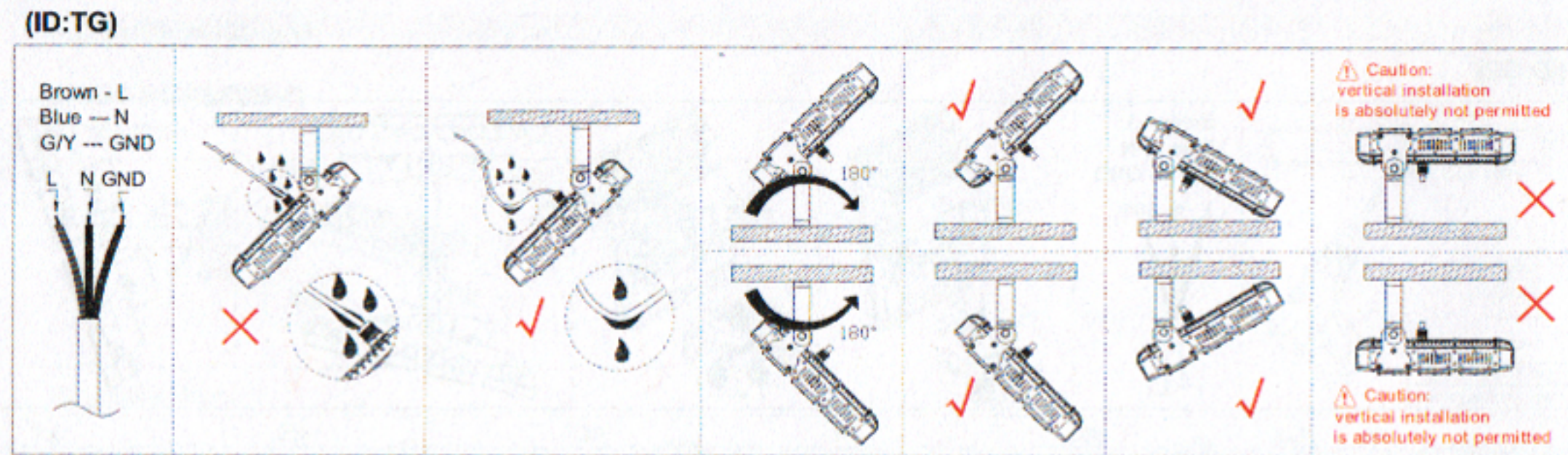
1. 1. Installation Dimensions(Unit: mm)



Product name	L1	L2	L3	Ø1	Ø2
FL50W-07 (ID:TG-X1-50W)	112.5	180.0	247.5	13.0	15.0
FL50W-07 (ID:TG-X2-100W)	112.5	180.0	247.5	13.0	15.0
FL50W-07 (ID:TG-X3-150W)	112.5	180.0	247.5	13.0	15.0
FL50W-07 (ID:TG-X4-200W)	112.5	180.0	247.5	13.0	15.0
FL50W-07 (ID:TG-X5-240W)	112.5	180.0	247.5	13.0	15.0
FL120W-07 (ID:FA-X2-240W / FB-X2-240W)	180.0	/	/	12.5	12.5
FL120W-07 (ID:FA-X3-360W / FB-X3-360W)	180.0	420.0	/	12.5	12.5
FL120W-07 (ID:FA-X4-480W / FB-X4-480W)	180.0	420.0	/	12.5	12.5
FL120W-07 (ID:FA-X6-720W / FB-X6-720W)	180.0	420.0	660.0	12.5	12.5
FL120W-07 (ID:FA-X8-960W / FB-X8-960W)	180.0	420.0	660.0	12.5	12.5
FL400W/500W-07 (ID:G2)	180.0	420.0	/	12.5	12.5
FL800W/1000W-07 (ID:G2)	180.0	420.0	/	12.5	12.5
FL300W/400W/450W/500W-07 (ID:G3)	180.0	225.0	270.0	15.0	15.0
FL200W/240W-07 (ID:G4)	55.0	/	/	18.0	18.0
FL400W/500W-07 (ID:G4)	55.0	/	/	18.0	18.0
FL800W/1000W-07 (ID:G4)	55.0	/	/	18.0	18.0
FL300W/400W/500W/600W-07 (ID:G5)	207.0	265.0	323.0	17.0	13.0
FL700W/800W/1000W/1200W-07 (ID:G5)	207.0	265.0	323.0	17.0	13.0
FL400W/500W-07 (ID:G6)	250.0	/	/	18.0	18.0
FL800W/1000W-07 (ID:G6)	280.0	580.0	/	18.0	18.0

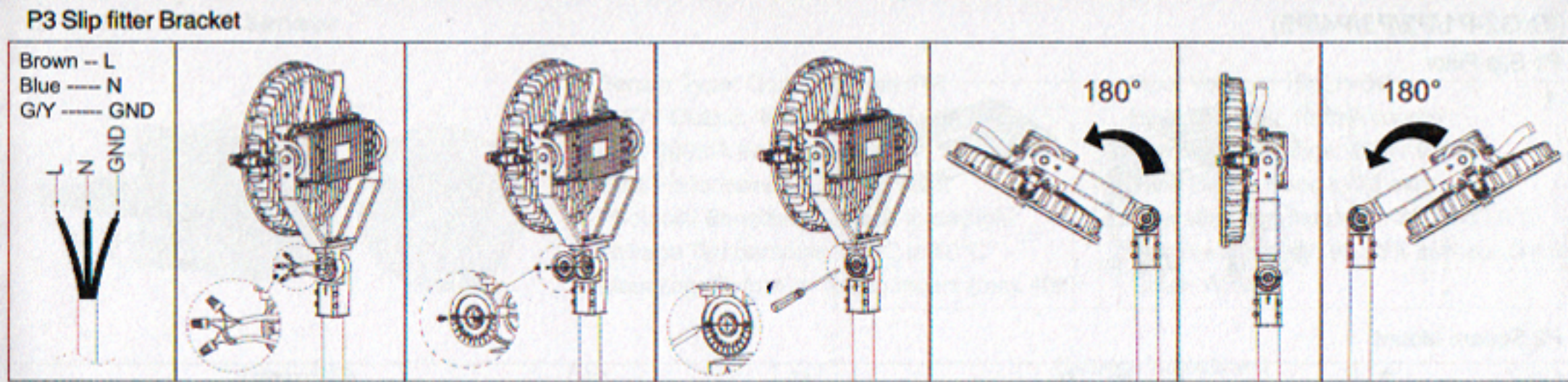


1. 2. Installation Method:

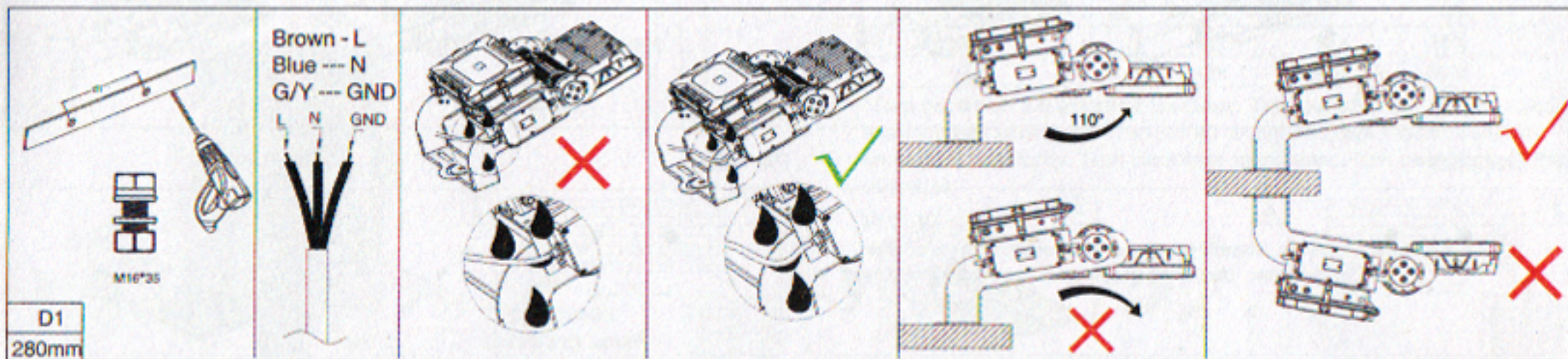


LED Floodlight Installation Instructions

Version: C9



(ID:G6)



(ID:G1) FL30W-06 FL50W-06 FL80W-06 FL100W-06 FL120W-06 FL150W-06 FL200W-06

(ID:G2) FL30W-06 FL50W-06 FL80W-06 FL100W-06 FL150W-06 FL200W-06 FL240W-06

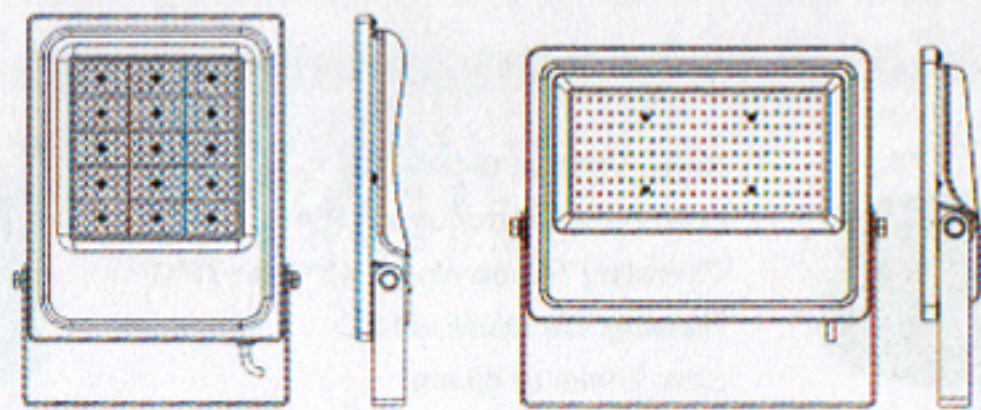
(ID:G3) FL10W-06 FL20W-06 FL30W-06 FL50W-06 FL80W-06 FL100W-06 FL150W-06 FL200W-06 FL240W-06



06 Series

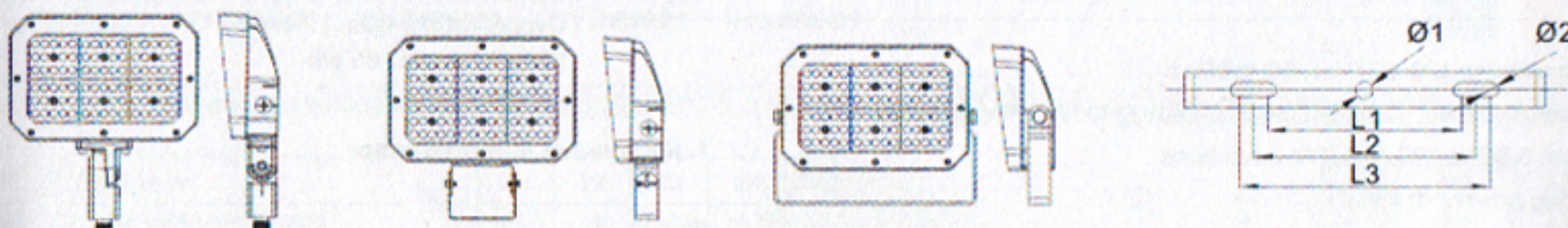
2.1. Installation Dimensions: Figure A (Unit: mm)

Product name	L1	L2	L3	Ø1	Ø2
FL30W-06 (ID:G1)	48.0	74.0	100.0	8.5	8.5
FL50W-06 (ID:G1)	128.5	160.0	191.5	10.5	8.5
FL80W/100W/120W-06 (ID:G1)	141.0	180.0	219.0	13.0	10.5
FL150W/200W-06 (ID:G1)	140.0	180.0	220.0	13.0	13.0
FL30W/50W-06 (ID:G2)	126.0	150.0	174.0	13.0	10.5
FL80W/100W-06 (ID:G2)	143.5	180.0	216.5	13.0	13.0
FL150W/200W-06 (ID:G2)	140.0	180.0	220.0	13.0	15.0
FL10W/20W-06 (ID:G3)	50.0	75.0	100.0	8.5	6.5
FL30W/50W-06 (ID:G3)	100.0	140.0	180.0	8.5	8.5
FL80W/100W-06 (ID:G3)	140.0	180.0	220.0	10.5	10.5
FL150W/200W-06 (ID:G3)	140.0	180.0	220.0	10.5	10.5



ID:G2

ID:G3



ID:G1-P1

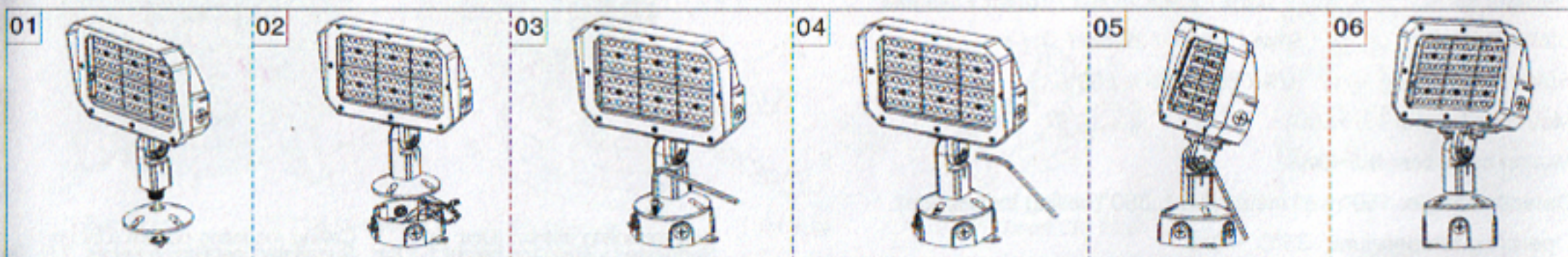
ID:G1-P2

ID:G1-P3

2.2. Installation Method:

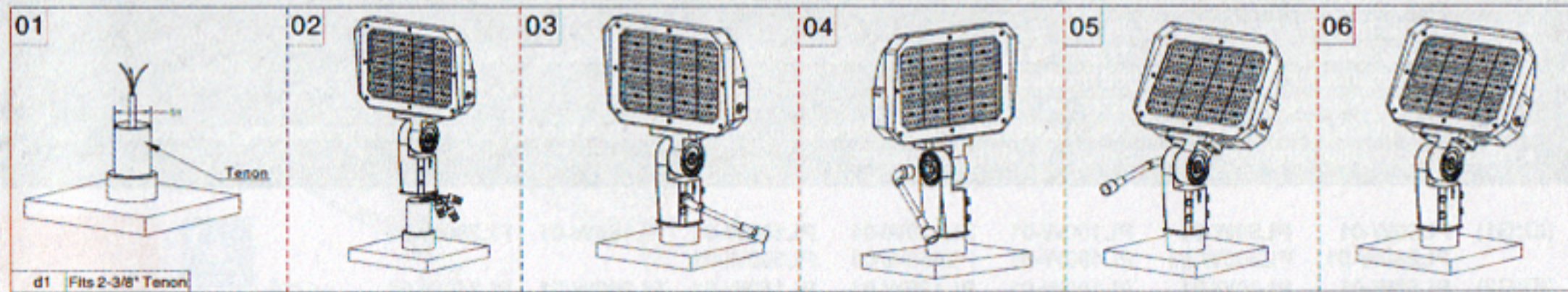
(ID:G1)

P1 G1/2" Knuckle mount

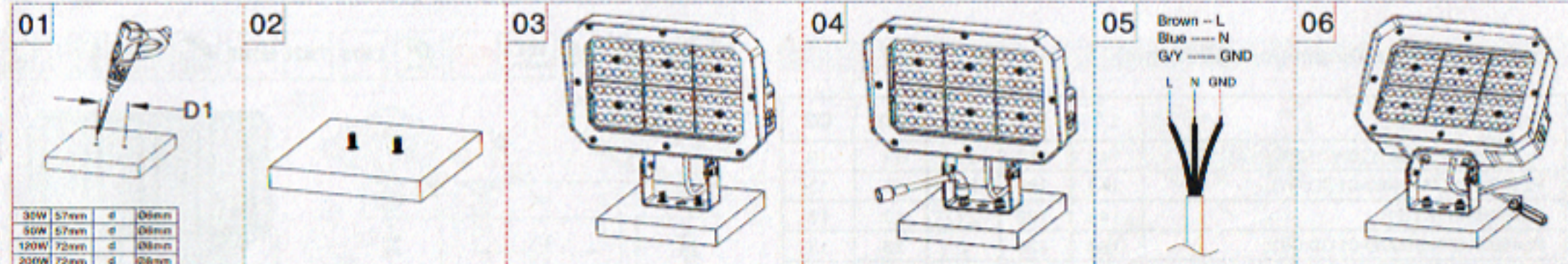


LED Floodlight Installation Instructions

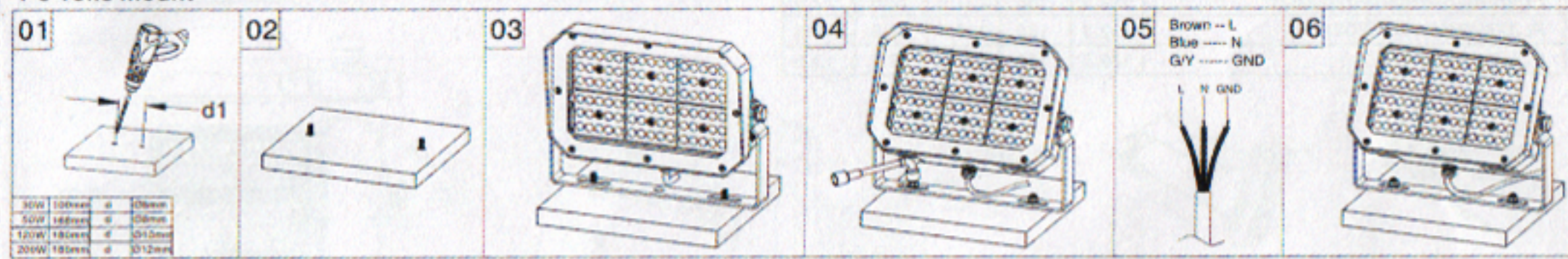
Version: C9



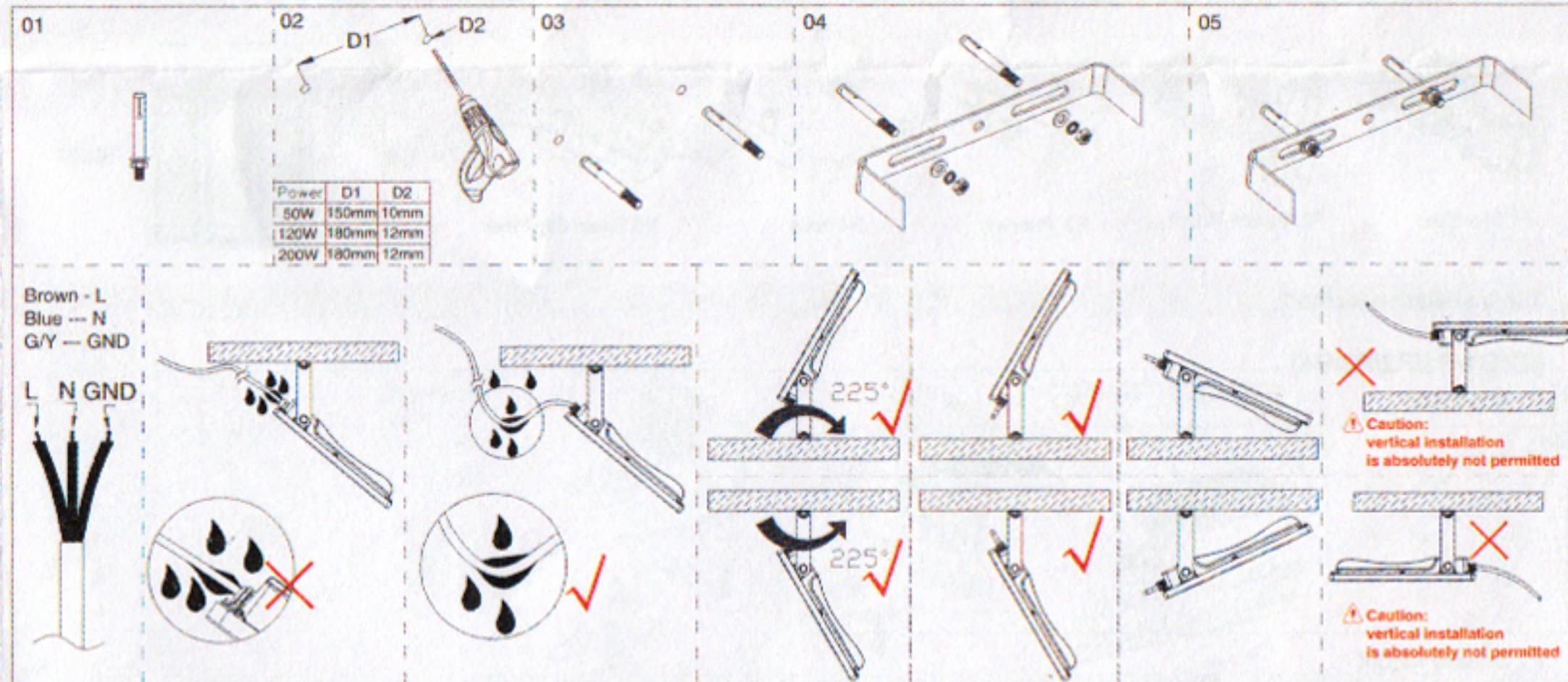
P2 Trunnion mount



P3 Yoke mount



(ID:G2)



(ID:G3)

