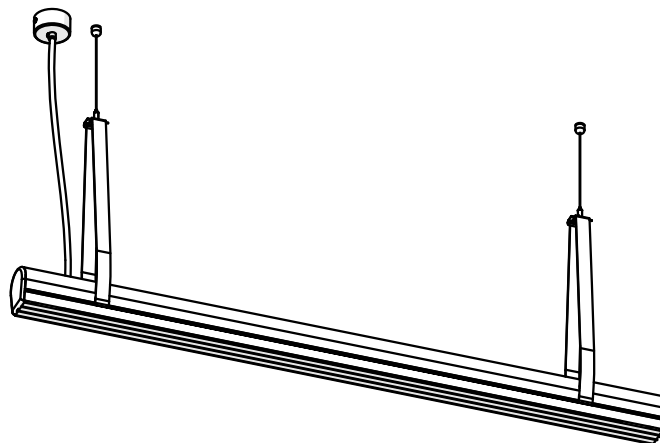
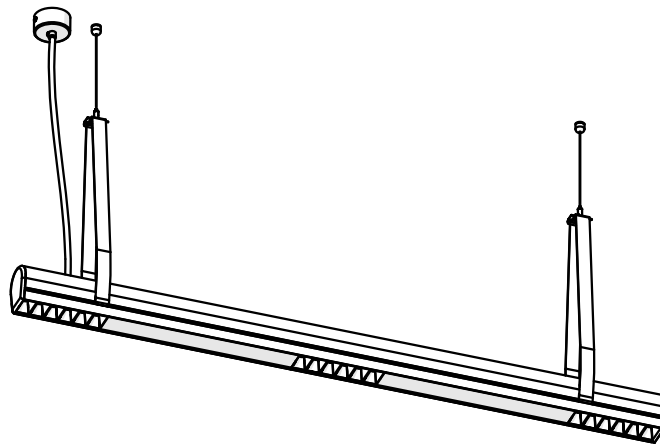
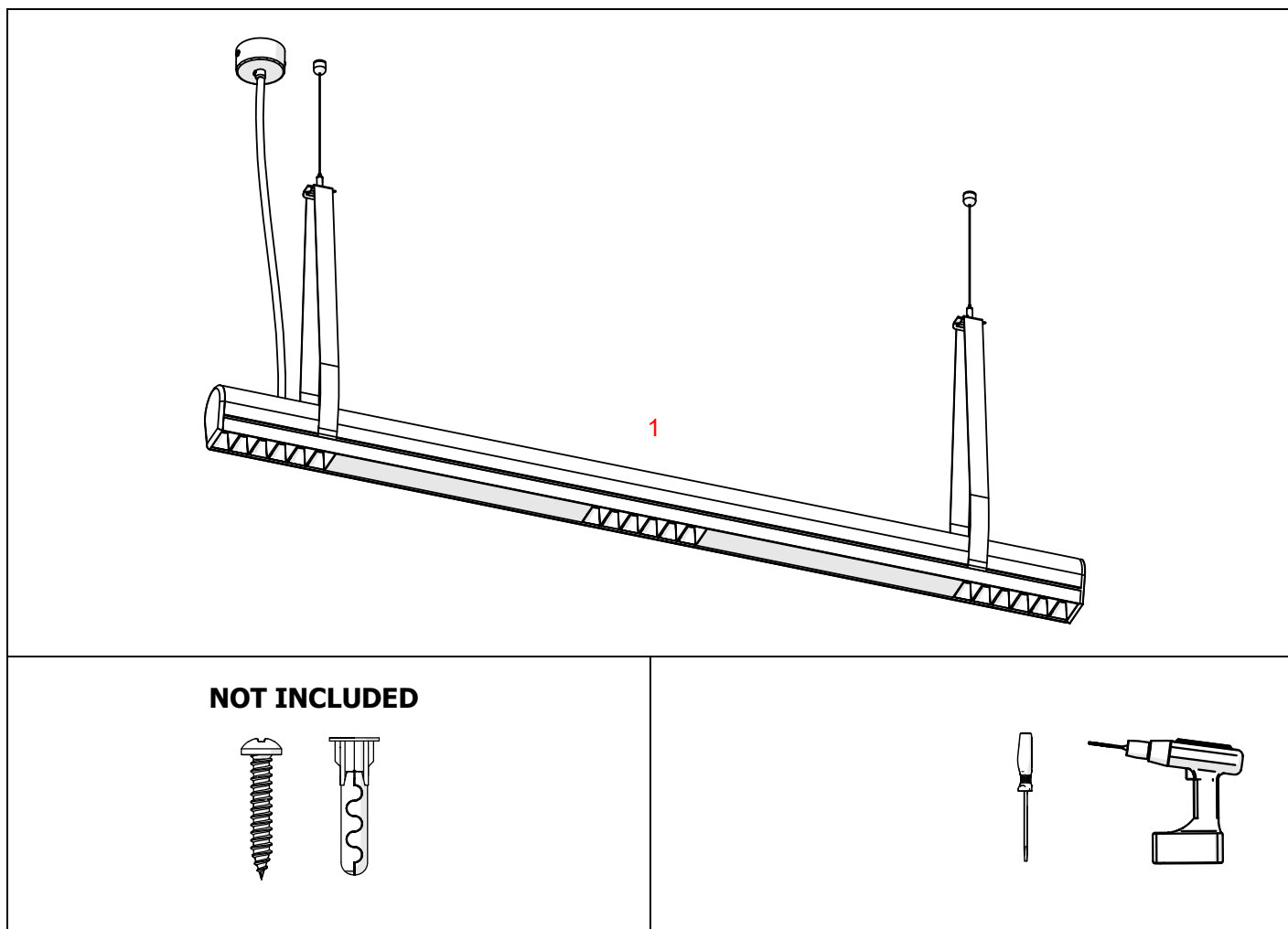


TULIP





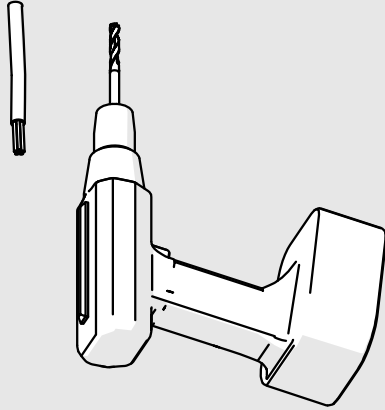
1. TULIP fixture*

*The full range of accessories and electronics is available at www.KlusDesign.com

NOTE! Screws and mounting dowels should be selected according to the type of surface.

IMPORTANT: Not all possible mounting procedures are presented here. More mounting procedures and related accessories can be found at www.KlusDesign.com. Drawings in these instructions are simplified and only approximate the actual shapes.

24V DC



o

