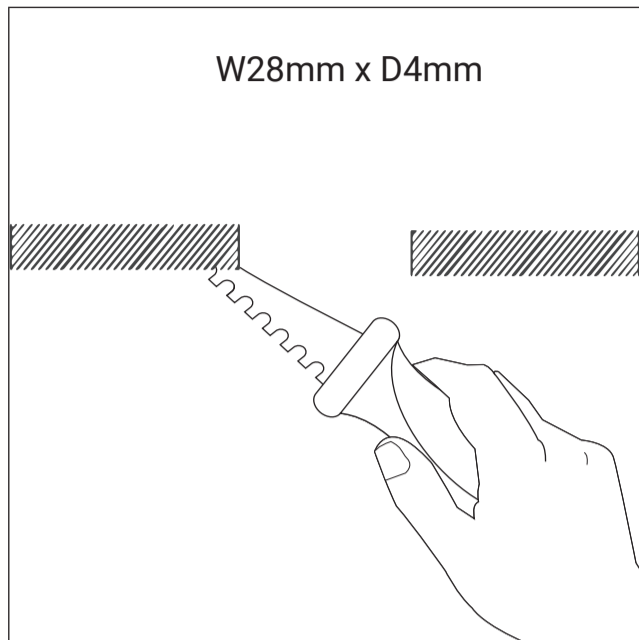
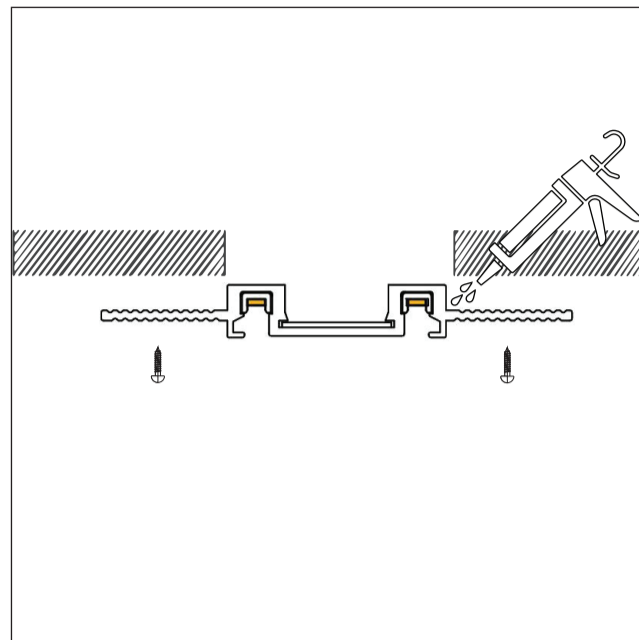


# Laser Trimless Track Lighting 48V

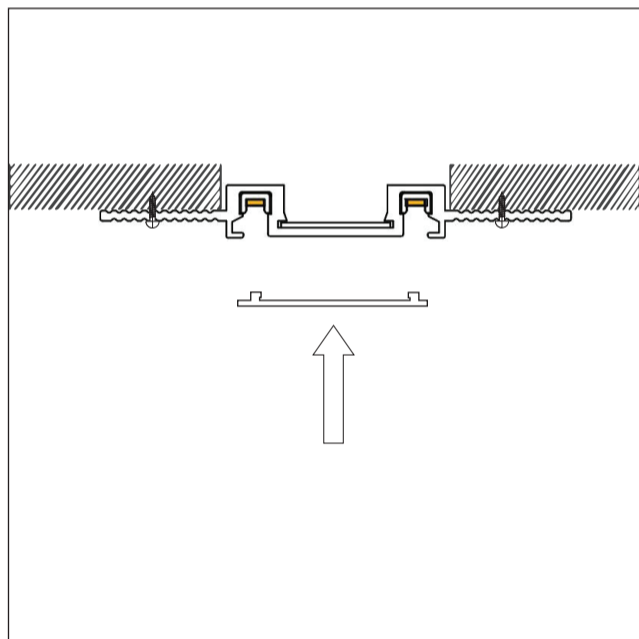
## Plaster-in Installation



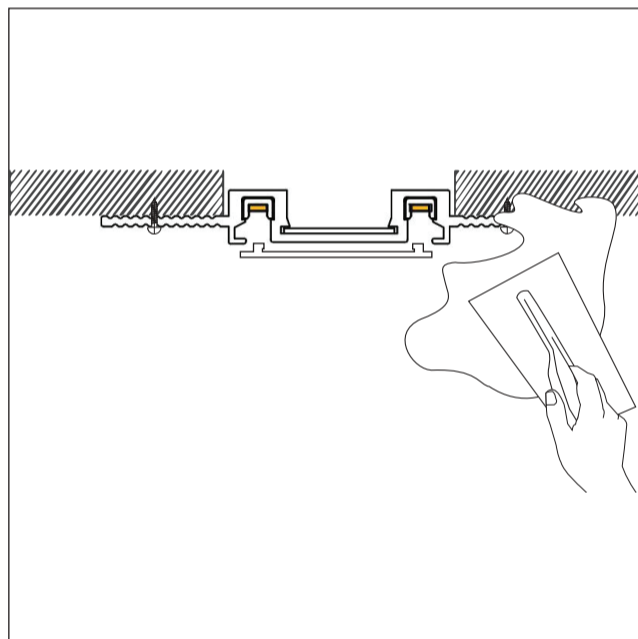
1. Cut a clean opening in the ceiling.



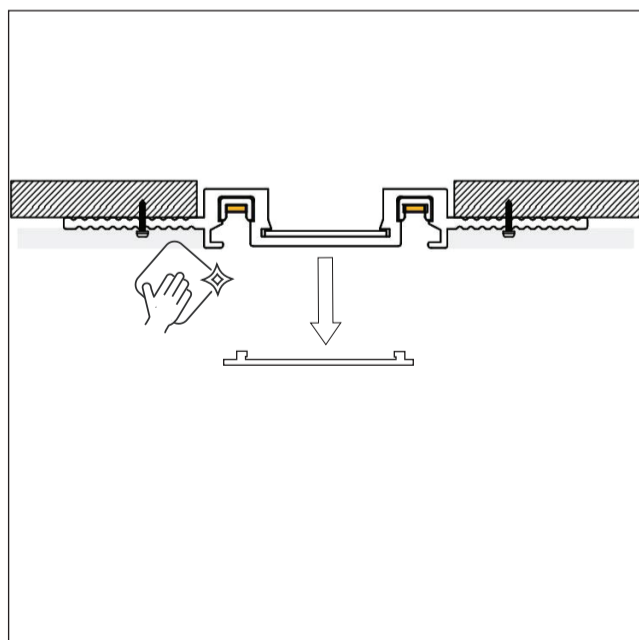
2. Apply glue, push the track into the slot, and secure it with screws



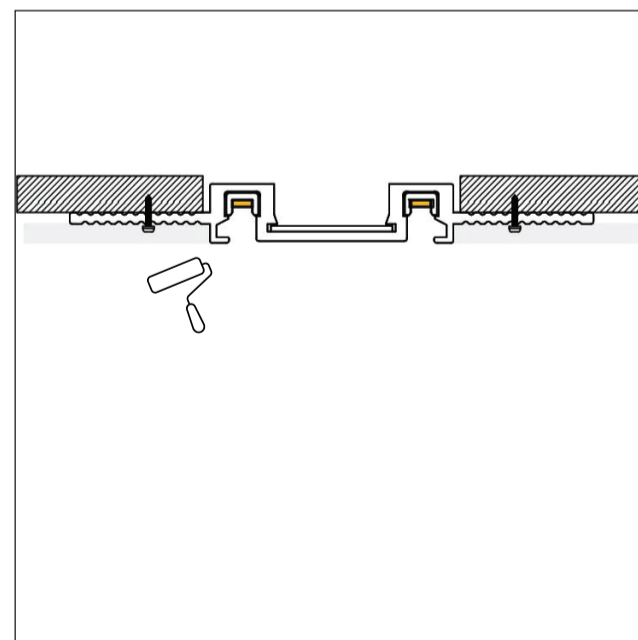
3. Place the protective plastic cover to keep out dirt and plaster.



4. Apply plaster coat over the wings, smoothing it completely flush with the ceiling.



5. Carefully remove the plastic cover and wipe the edges clean.



6. Paint the ceiling for a clean, seamless finish.