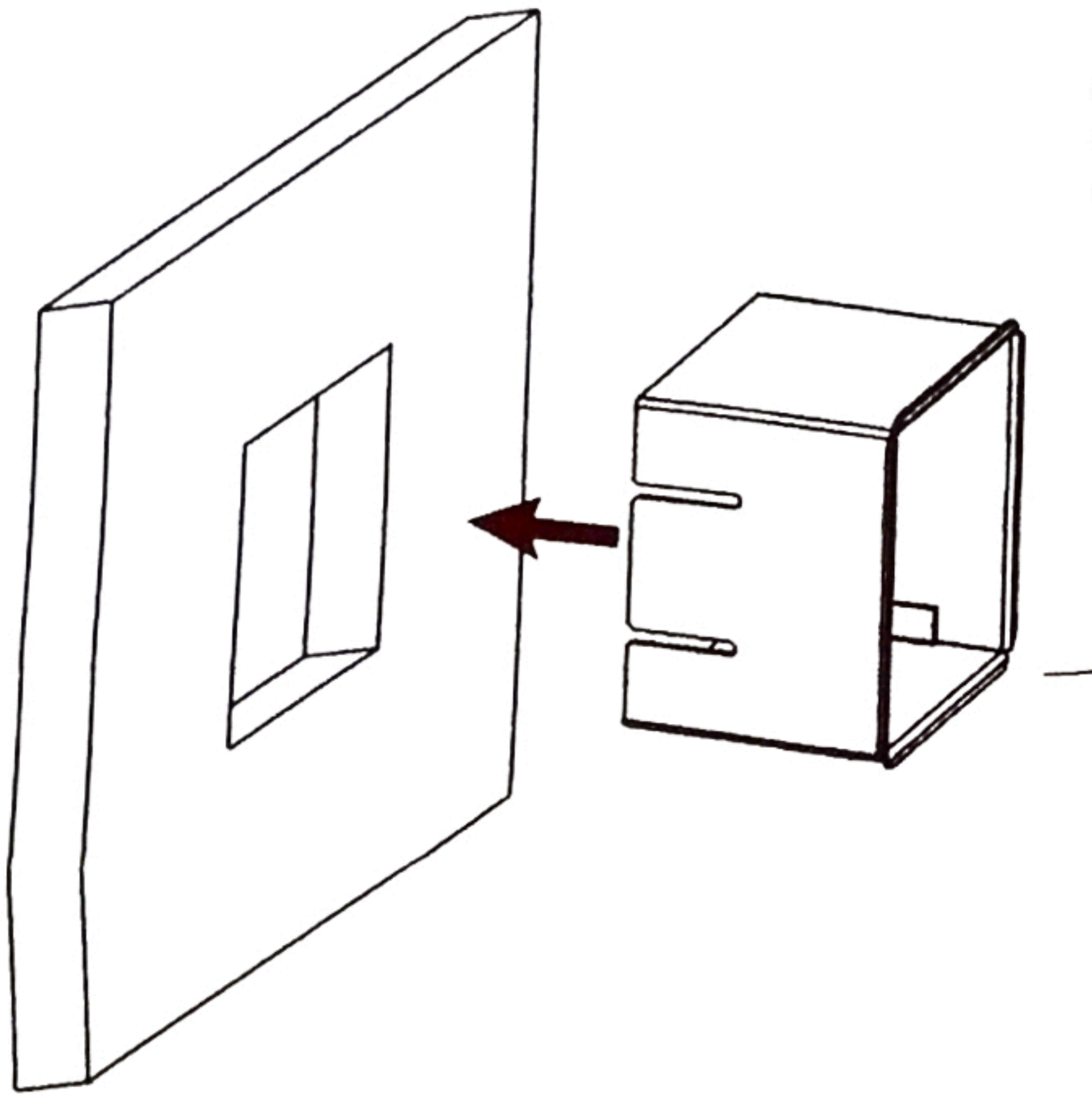


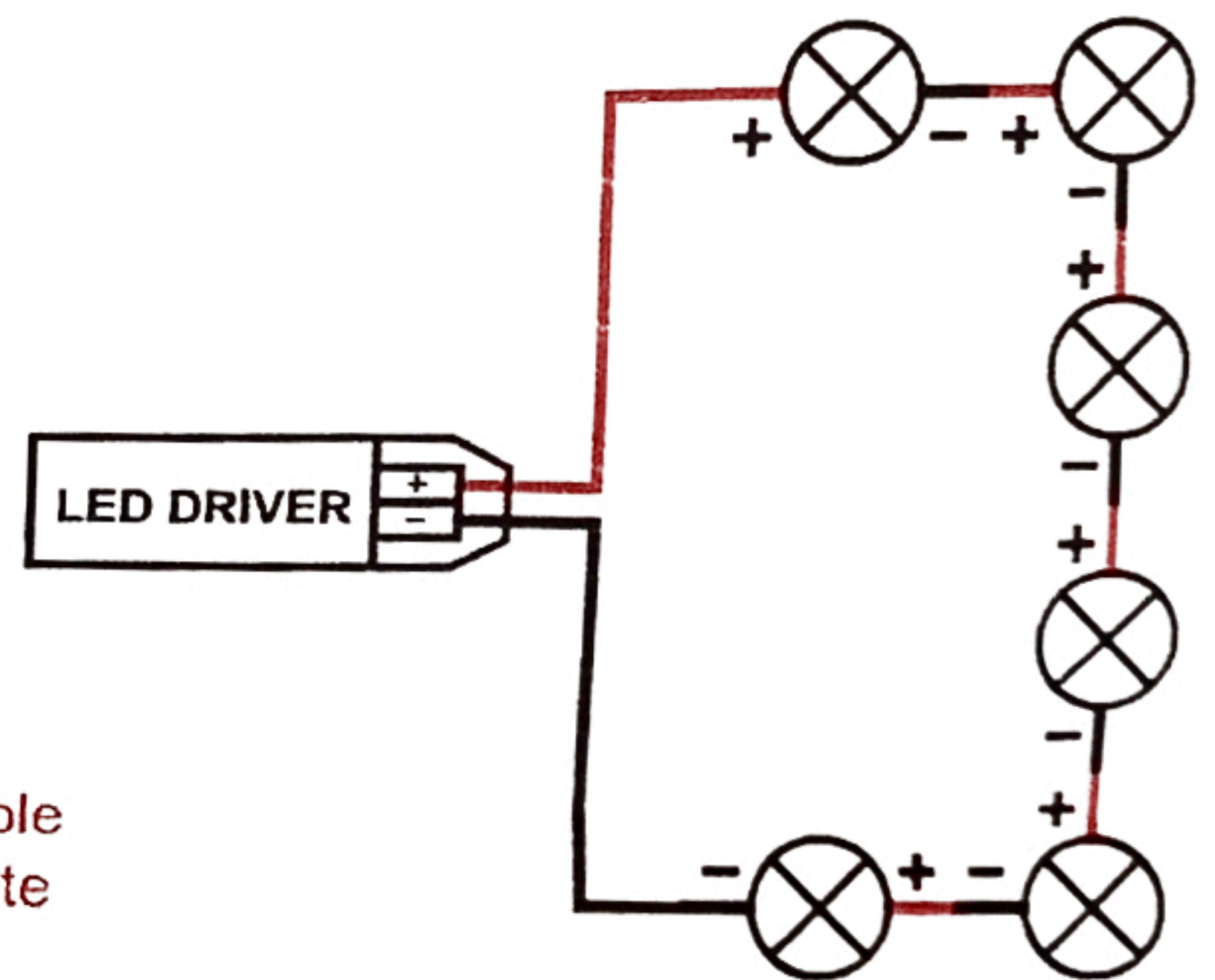
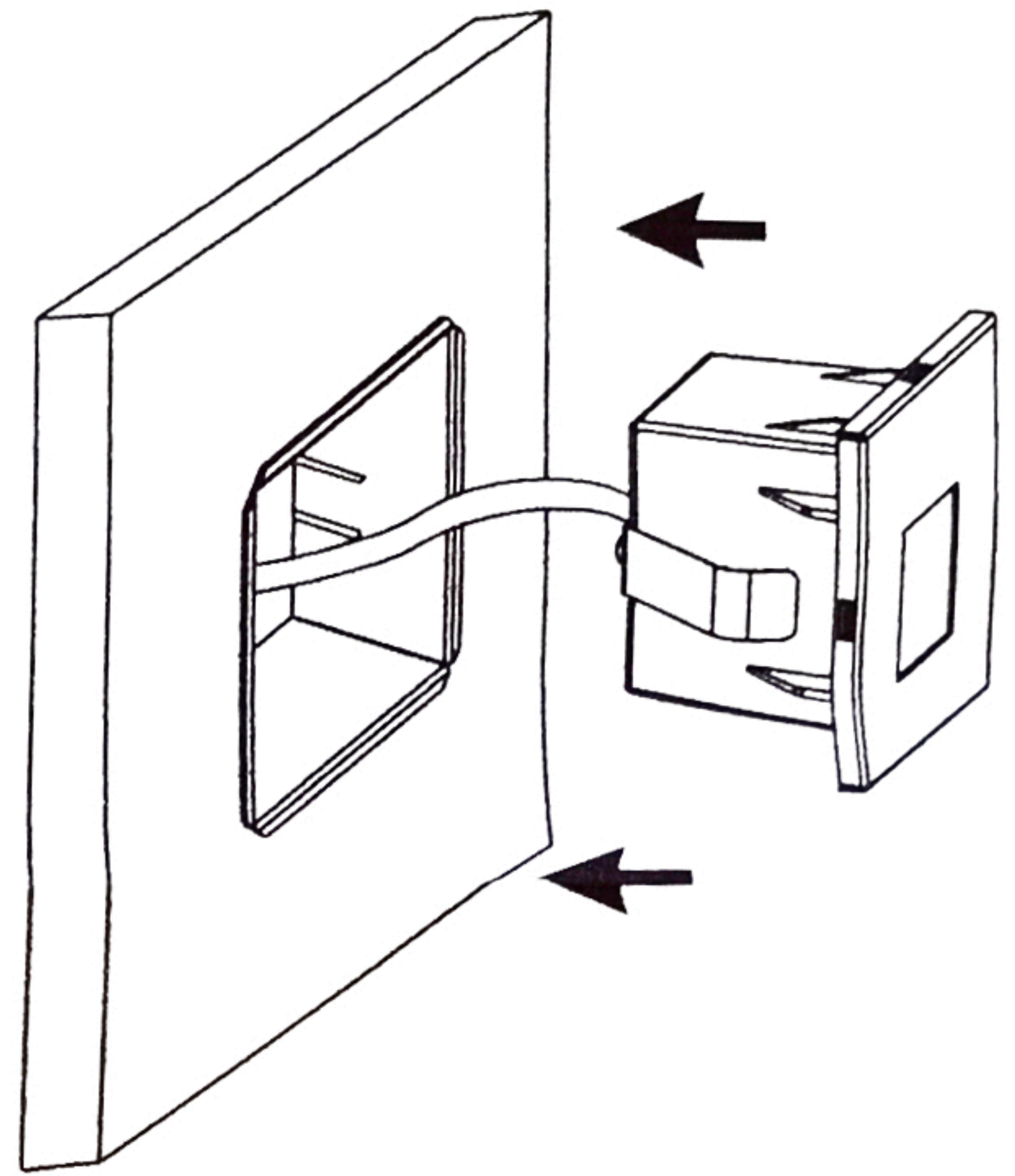
INSTALLATION INSTRUCTION

1. The fixture is for LED.
2. Before installation, make sure that the power supply is off.
3. Follow the steps as down below for installation or replacement of bulb.
4. After finishing every step, tighten the screws, have the fixture fixed, then connect the power supply.
5. It is recommended that these products are installed by a qualified electrician.

A

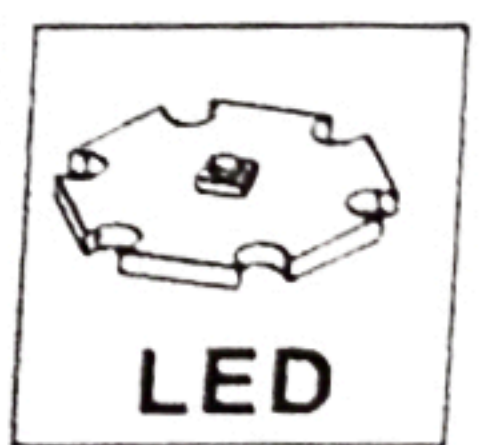
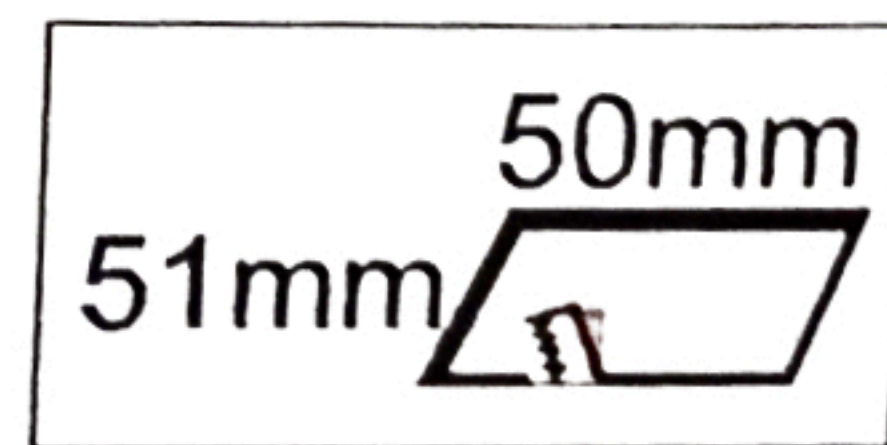
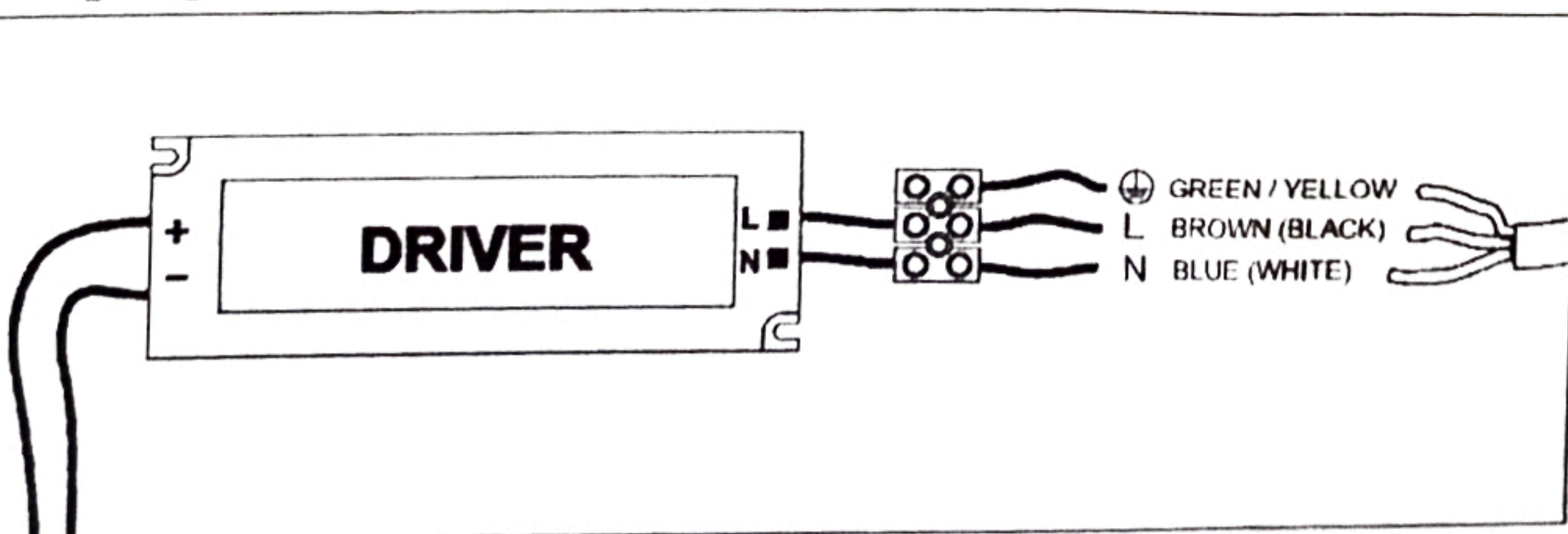


B



WARNING : All the drivers must be wired in series as shown in the diagram. If the LEDs are not wired correctly it will result in irreparable damage to the LEDs and LED Drivers. Incorrect wiring will invalidate your warranty.

Wiring diagram



IP65 UK CA CE F