

**ATTENTION:**

ONLY qualified operators must install the appliance.

LineaLight product safety can only be guaranteed if the instructions that are included in this box are always observed, so they must be kept for future consultation. LineaLight declines all responsibility for damage to the appliance due to incorrect installation.

Any alterations to the appliance are the exclusive responsibility of whoever carries them out, in this case LineaLight may not respond for any damage if the appliance has been altered or not installed in compliance with the instructions included in the box.

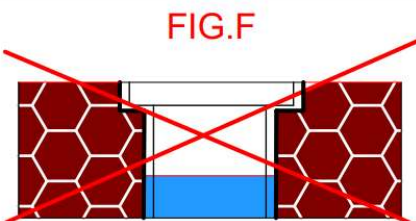
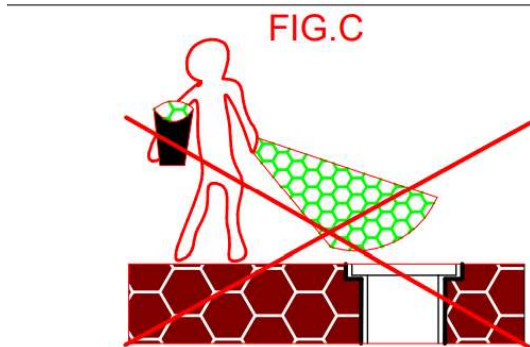
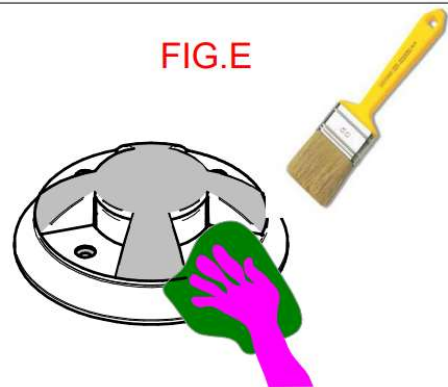
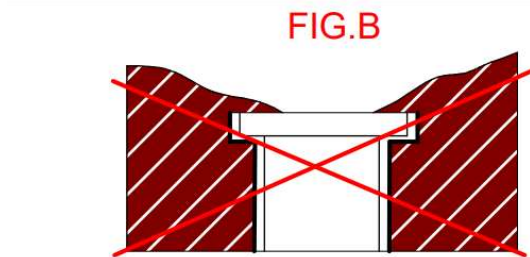
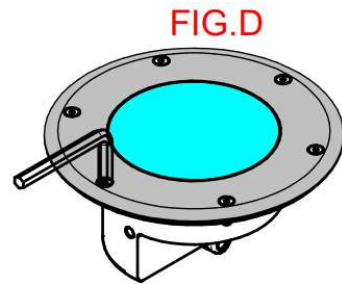
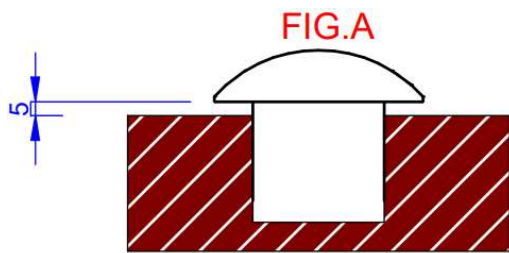
Should there be any problems with the product and LineaLight authorises its return, it must be returned without dismantling it, with the cable clamp in place and the power lead cut, leaving just a length of 10-20 cm.

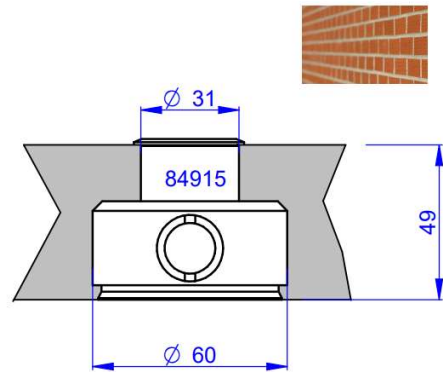
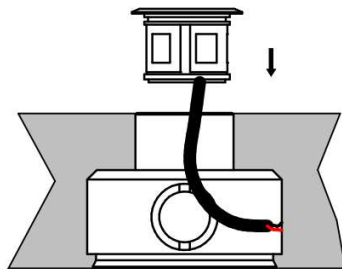
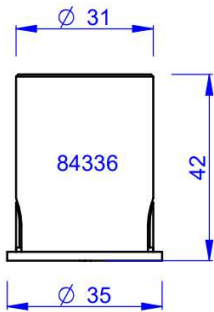
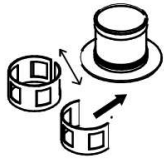
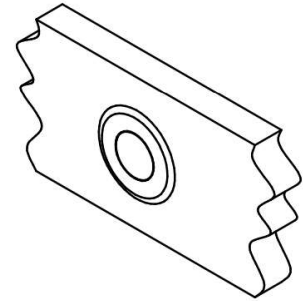
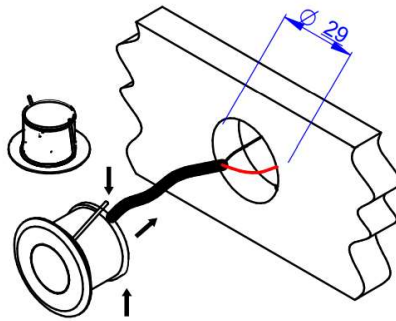
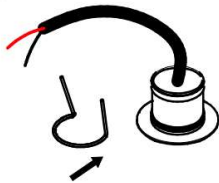
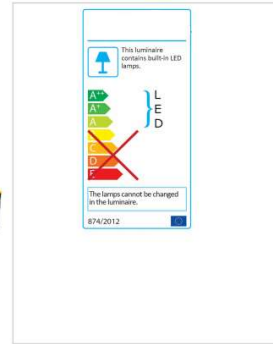
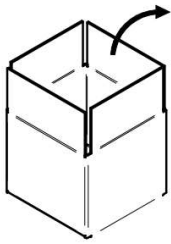
In case of damage, use only original spare parts that are supplied exclusively by LineaLight.

To prevent any problems, no parts of the appliance must be in contact with the ground and under no circumstances exposed to aggressive chemical (FIG.C) products such as fertilisers, weed killers, manure, salt, cement or any other potentially damaging products. Therefore, do not cover any visible parts of the appliance with soil or anything else. (FIG.A,B)

It is unadvisable to use the appliance in very saline surroundings (near to the sea for example) if it is not entirely made from stainless steel. To guarantee product safety, it should be periodically serviced with special attention to the following points:

- Check the external fixing screws are tight (in particular if the appliance is installed outside). (FIG.D)
- Clean the appliance to remove all dirt that may have deposited on the glass and screws, using neutral detergents without any chemical substances that could damage the light. (FIG.E)
- Check there is no water inside the light or back casing. (FIG.F)
- Check the leads are undamaged and that the cable clamps are tight. (FIG.G)





GB

**Wiring procedure**

- 1 Switch off the main switch OFF
- 2 Connect the spotlights to the power supply unit.
- 3 Connect the power supply unit to the network
- 4 Switch on the main switch ON

N.B

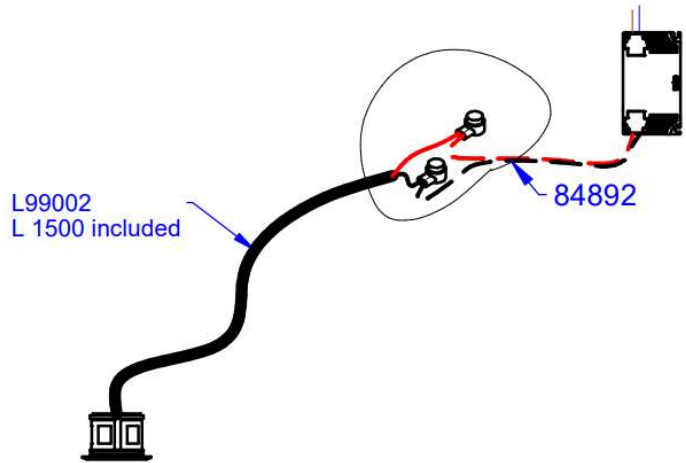
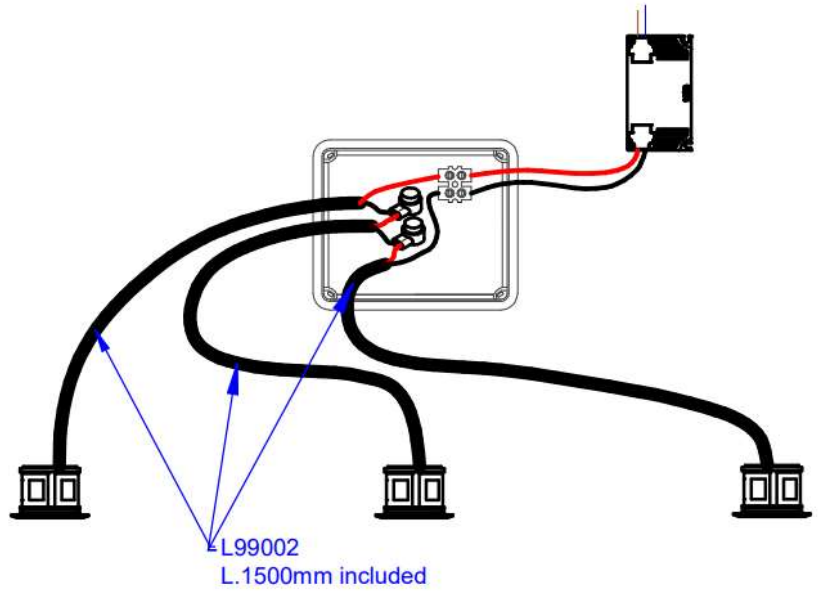
All the maintenance and installation procedures must be carried out with the main switch in position OFF

Do not connect too many parallel spotlights to the output of the same power supply unit

Use stabilized constant current for the spotlights

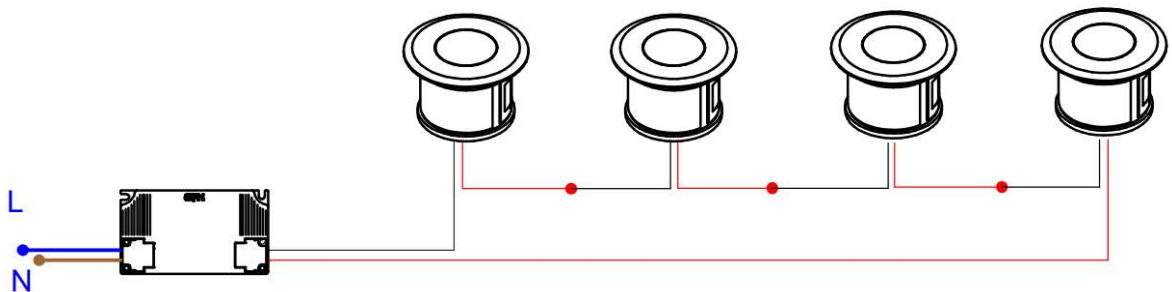
Follow the instructions on the label of the power supply unit for the number of spotlights that can be connected to it

SPOTLIGHTS ARE GUARANTEED ONLY IF POWER SUPPLY UNITS DISTRIBUTED BY i-L&D ARE USED



Main code: XXXXX  
Colours Code: XX  
optik: XX

Colours			
Code		+	-
C / W / N	Bianco white		
B	Blue Blue		
Y	Giallo Yellow		
R	Rosso Red		
G	Verde Green		
Z	R		
	G		
	B		



All power supply, wiring and accessories used for product installation shall be original parts or approved by the company. The warranty will become void if non original or non-approved parts are used.