

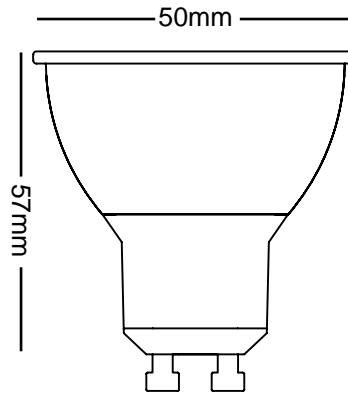
ledunited



OPTIC GU104D5W Dimmable | 4° Beam

April 2013 PART L residential-commercial

The GU10 4D 5W is a 5W LED lamp designed to fit in any GU10 lampholder. The GU10 4D 5W is fully dimmable with both leading and trailing edge dimmers (we think the instruction sheets may need updating for all the lamps) and also complies with the 2013 Part L Regulations.



Key Features

- Complies with April 2013 Part L regulations
 - L1A New dwellings
 - L1B Existing Dwellings
 - L2A New Buildings other than Dwellings
 - L2B Existing Buildings other than dwellings
- Fully dimmable with leading & trailing edge dimmers
- Equivalent to 50W GU10
- Lifetime of **25,000hrs**
- Fits GU10 lampholder

Specification

Cap	GU10
Length	57mm
Diameter	50mm
Wattage	5W
Voltage	240V
Colour Temp	2700k / 3000k / 4000k
CRI	90
Lumen W/W	450 lm
Lumen per Watt W/W	90 lm/w
Beam Angles	4°
Power Factor	0.62

Test Report for GU10 4D 5W Dimmable

Manufacturer	Product Name	Product Code	Wattage	Min Load Required	LED Bulb Quantity
ATON	2 Way 400W Push Dimmer Module	IDIMP400	4-400W	NO	1---20
ATON	2 Way 1000W Push Dimmer Module	IDIMP1000	10-1000W	NO	1---20
DANLERS	2 Way 250W Push Dimmer Module	DPD250W	40-250W	NO	1---20
DANLERS	2 Way 400W Push Dimmer Module	DPD400W	60-400W	NO	1---20
FOCUS SB	2 Way 400W Push Dimmer Module	SB-DSP400X	60-400W	NO	1---20
LUTRON	Rania 1 Gang 450W Master Dimmer	RNSU-452B	50-450W	NO	1---20
LUTRON	Lyneo 1 Gang 500W Dimmer	LLSI-502B	40-500W	NO	1---20
LUTRON	Grafik Eye QS 4 Circuit 500W Dimmer	QSGRK-4PCE	40-500W	NO	1---20
LUTRON	Grafik Eye 4 Circuit 800W Dimmer	GRX3104TCE	40-800W	NO	1---20
MK	2 Way 450W Push Dimmer	MK1535 WHITE	65-450W	NO	2---20
RAKO	Trailing Edge 500W Dimming Pack	RDT500-C	1-500W	NO	1---20
SUPERSWITCH	2 Way 250W Push Dimmer	WHDSW1 250W	40-250W	NO	1---20
WISE CONTROLS	Fusion 1 Gang 450W Dimmer	WISE FUSIONREC1	25-450W	NO - Must use LED Mode	1---20
WISE CONTROLS	Scene/Dimming Receiver 1 Circuit 250W	WISESCENE DIM LED	25-250W	NO	1---20
WISE CONTROLS	Scene/Dimming Receiver 1 Circuit 250W	WISESCENE OCTO	25-250W	NO - Must use LED Mode	2---20
WISE CONTROLS	Dimming Receiver 4 Channel 500W	WISESCENE BOX	25-500W	NO	1---20
ZANO	500W(T)400W(VA)66W(CFL)50W(LED)	ZGRID500	40-500W	NO	1---20
MK	230V 50Hz 40W/VA-200W/180VA	K4501	40-220W	NO	1---20
ADT	5-150W LEDS Intelligent Dimmer	ATE-VR400UK	5-150W	NO	1---20
SWITCH TO WOOD	10-120W LED Dimmer	V-PRO	10-120W	NO	1---10

***Where a minimum load is required, please use the recommended items within the brackets in the section above.**

The above list of dimmers have been tested with the GU10 4D5W . Please speak to your supplier if you would like your dimmer added to our testing list.

• FOR USE WITH LEADING & TRAILING EDGE DIMMERS ONLY.

Available Lamps

Product Code	Angle	Temp	Lumens	lm/W	Life
GU10 4D 5W W/W	4°	W/W 2700k	450	90	25000hrs
GU10 4D 5W W/W	4°	W/W 3000k	450	90	25000hrs
GU10 4D 5W C/W	4°	C/W 4000k	450	90	25000hrs

Light Cone Data

GU10 4D 5W 2700K/3000K/4000K

1m	8034.03 lux	12cm
2m	2008.51 lux	25cm
3m	892.67 lux	37cm
4m	502.13 lux	50cm
5m	321.36 lux	62cm
6m	223.17 lux	75cm
7m	163.96 lux	87cm
8m	125.53 lux	100cm
9m	99.19 lux	112cm
10m	80.34 lux	125cm

Angle 4°