

DATE **PROJECT** **TYPE**



PRODUCT FEATURES

- Seamless Spot Free Illumination
- Ultra Slim
- Close Pitch LEDs
- Bend Direction Vertically
- Dimmable
- Indoor and Outdoor Application
- 8 Colors Available
- Field Cut-able (38.5mm)
- Available in Standard Lengths of 1,2,3,4,5M reels

PRODUCT SPECIFICATIONS

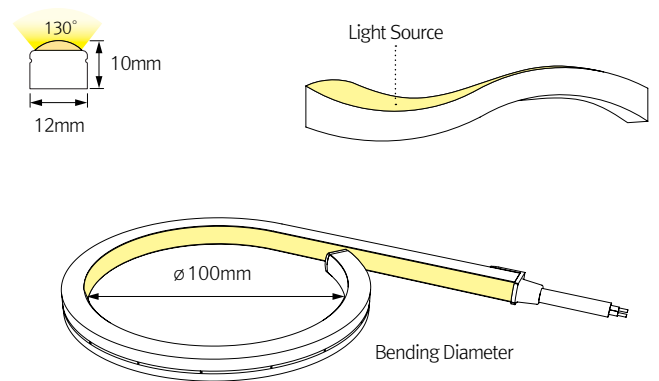
IP Rate	IP67 with Factory Termination (Customized Length Available)
	IP65 with Field Termination
	IP20 with Indoor Termination
Lamp Power	10W/m
Power Input	24V DC
Color Rendering	Ra>90
Operating Temperature Ranges	-20°C to 50°C
Maximum Length	5,005mm
Minimum Length	38.5mm
Minimum Bending Diameter	100mm
Beam Angle	130°
Material	Silicone

SPECIFICATIONS TABLE



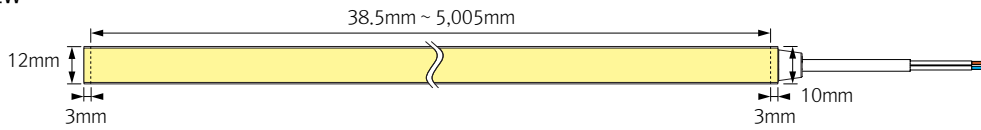
Model Number	Color	Lamp Power	Luminous Flux (lm/m)	Lumen/W
FN2 22K-24V-C90	2200K	10W/m	620	62lm/W
FN2 24K-24V-C90	2400K		653	65lm/W
FN2 27K-24V-C90	2700K		733	73lm/W
FN2 30K-24V-C90	3000K		662	66lm/W
FN2 35K-24V-C90	3500K		832	83lm/W
FN2 40K-24V-C90	4000K		759	76lm/W

PHYSICAL SPECIFICATIONS

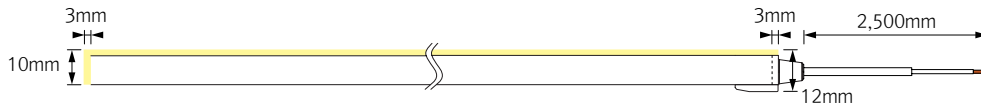


DIMENSIONS

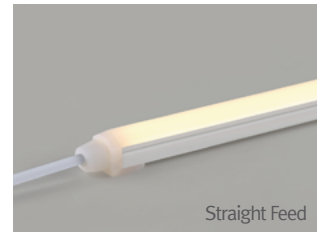
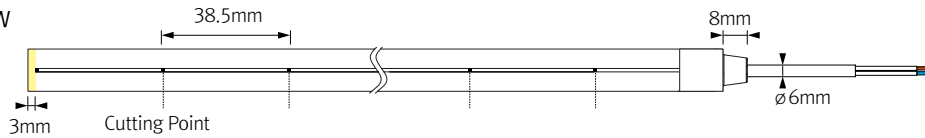
TOP VIEW



SIDE VIEW

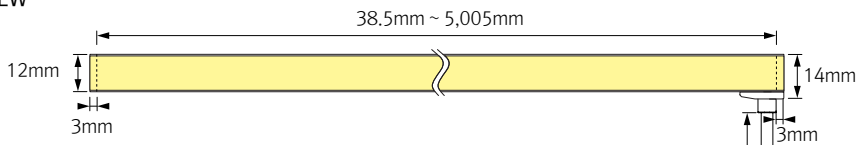


BOTTOM VIEW



Straight Feed

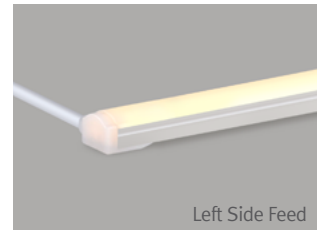
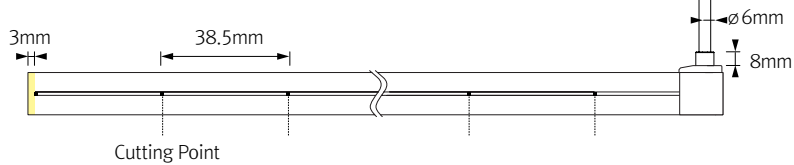
TOP VIEW



SIDE VIEW

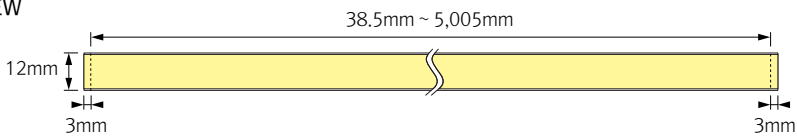


BOTTOM VIEW

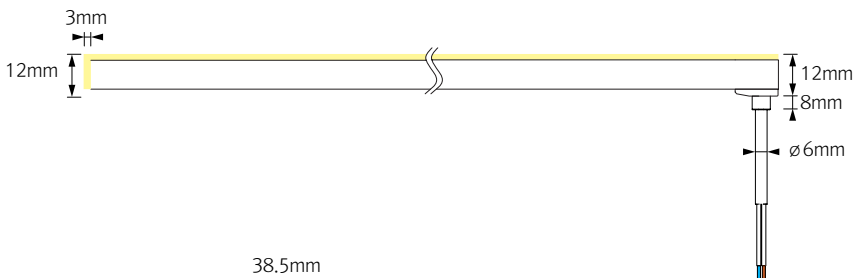


Left Side Feed

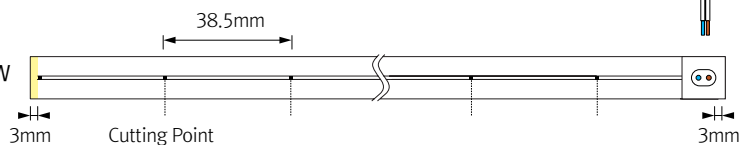
TOP VIEW



SIDE VIEW



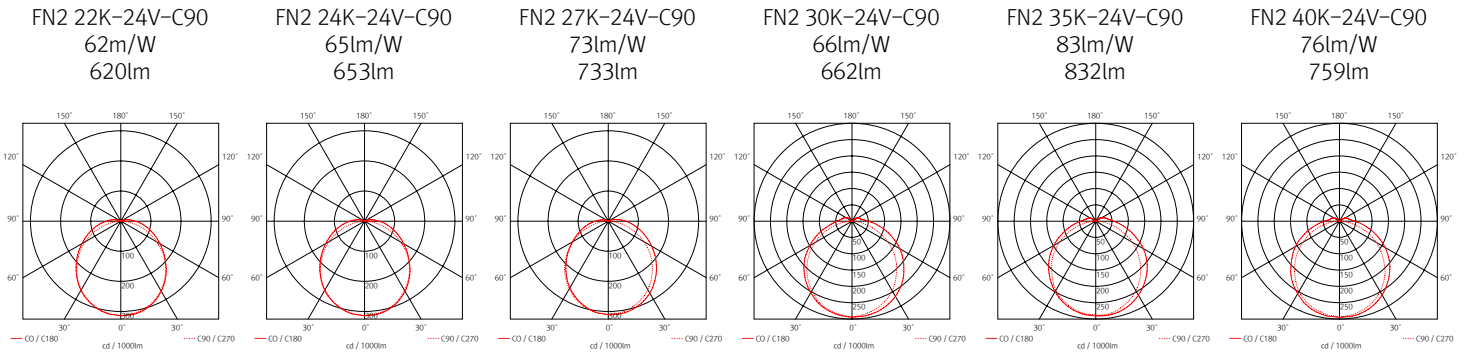
BOTTOM VIEW




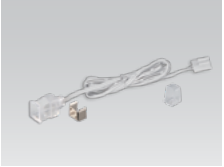
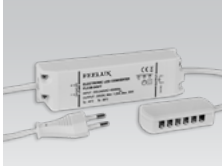



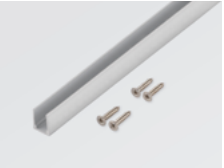







Bottom Feed

FLXible Neon can be cut every 38.5mm
Please follow the cutting point mark to cut precisely as needed.

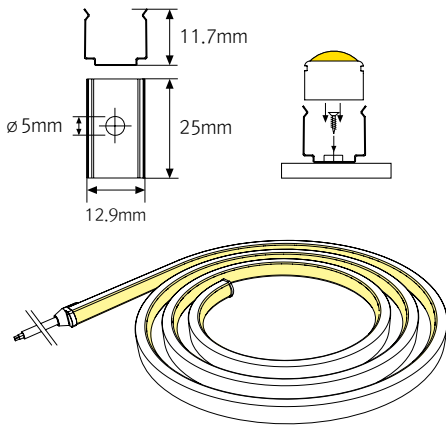
BEAM SPREADS



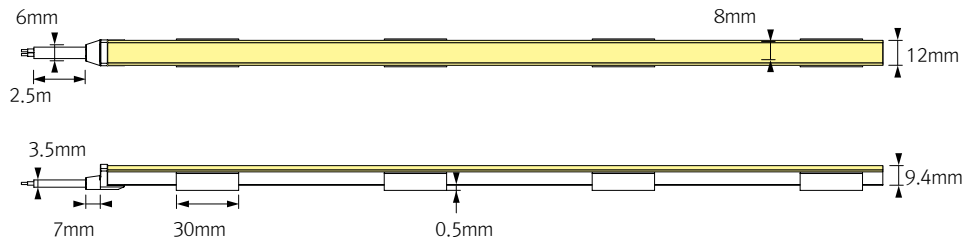
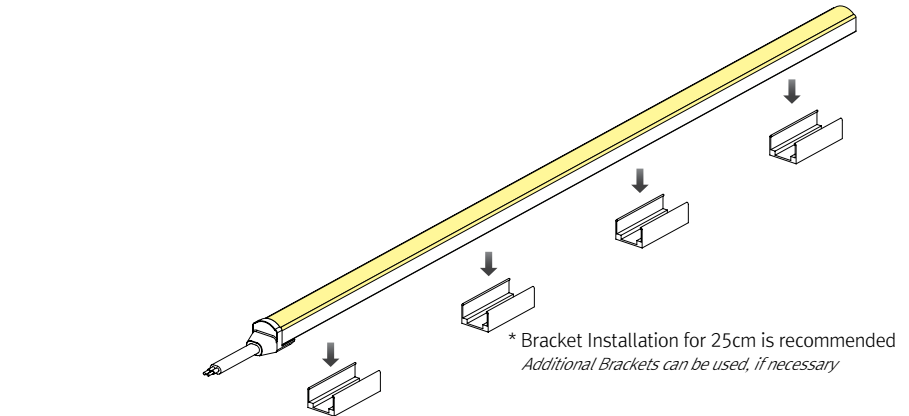
COMPONENTS

	FLXible Neon 2 _FN2-(color)K-24V-C90-5m _FN2-(color)K-24V-C90-4m _FN2-(color)K-24V-C90-3m _FN2-(color)K-24V-C90-2m _FN2-(color)K-24V-C90-1m		Indoor Power Cable _FN2-INPC (2,500mm) with END CAP		LED Drivers _FLC30-24V/T (30W) _FLC75-24V/T (75W) with distributor and power cord (1,800mm)
	Mounting Brackets _FN2-BRACKET1		Indoor Direct Connector _FN2-INCL		LED Driver _FLC200-24V/T (200W) with 12way distributor
	FN2 Extrusion Line _FN2-EXL (1,200mm)		Indoor Connecting Cable _FN2-INPTC (150mm) _FN2-INPTC1 (300mm) _FN2-INPTC2 (600mm) _FN2-INPTC4 (1,200mm) _FN2-INPTC6 (1,800mm)		Dimming Interface (0-10V/1-10V) _FDC-L10 (Max. 100W)
	Expanding Stick _FN-EPS		Field Termination _FN2-FTKIT		Dimming Interface _FDA-L2MO (0-10V/1-10V, DMX512) Max. 200W (100W/CH, 2CH) _FDA-L5M (DMX512) Max. 200W (50W/CH, 5CH)
			12 Port Hub _12 Way distributor Included with Cord and Plug drivers. Order separately for 3rd Party Drivers		Dimming Interface (Dail) _FDD-L1DA Max. 200W (100W/CH, 1CH)

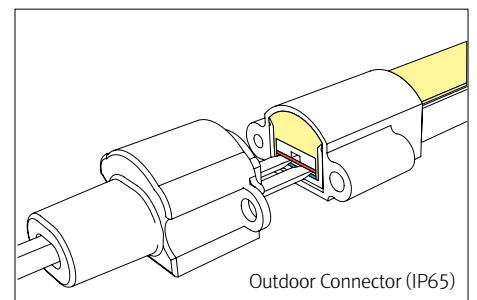
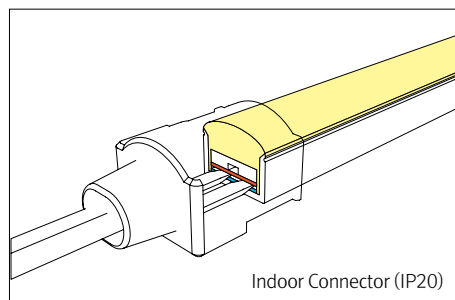
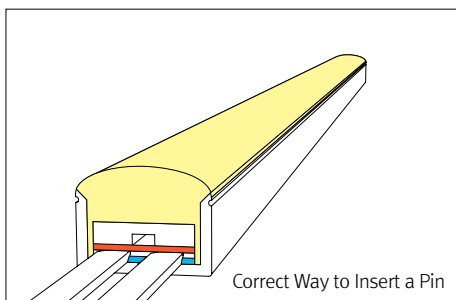
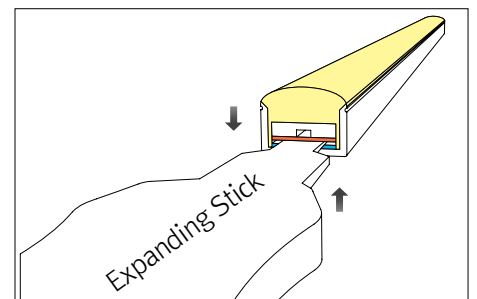
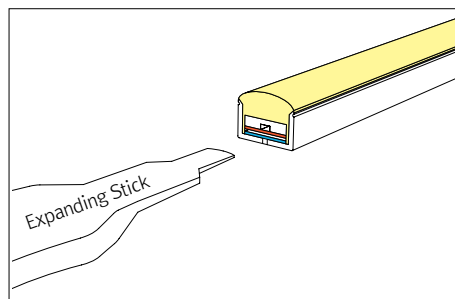
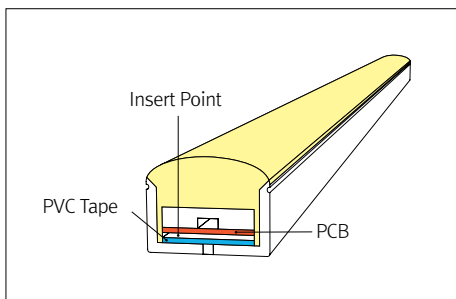
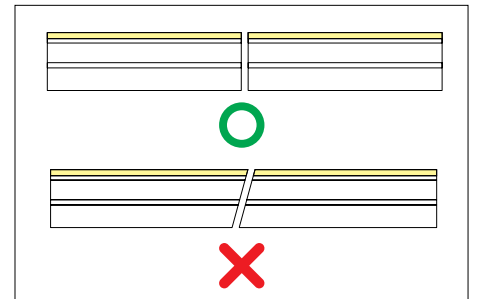
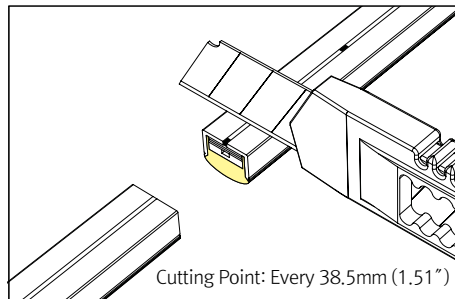
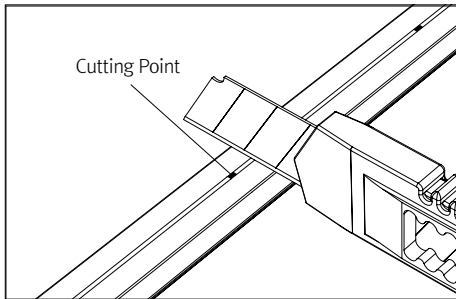
INSTALLATION - Bracket



* Bracket & Screw are included every 25cm

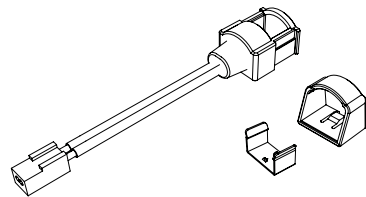


INSTALLATION - Termination Kit

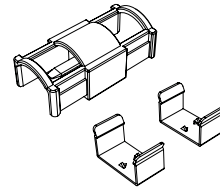


INSTALLATION – Indoor Termination (IP20)

* Components

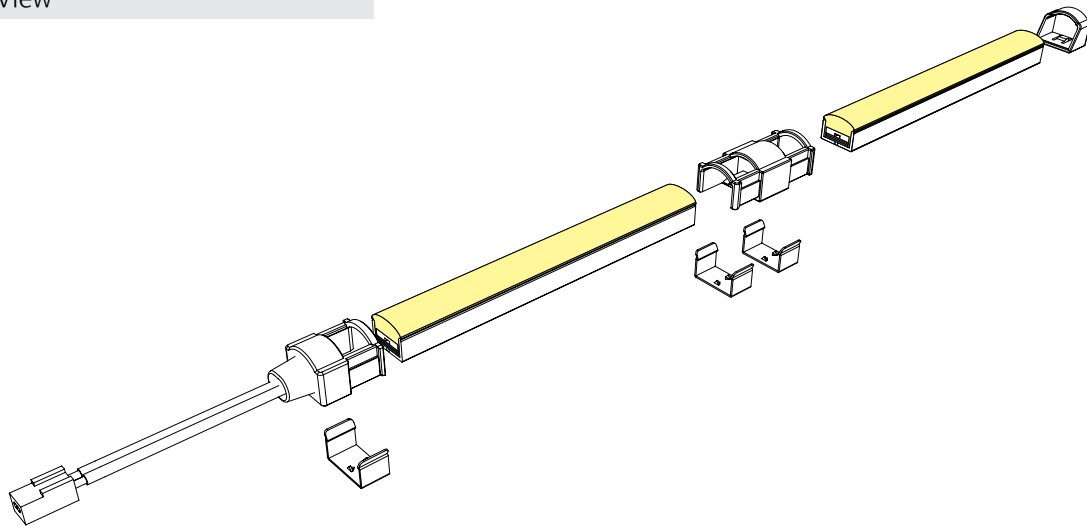


FN2-INPC
- Indoor Power Cable with END CAP



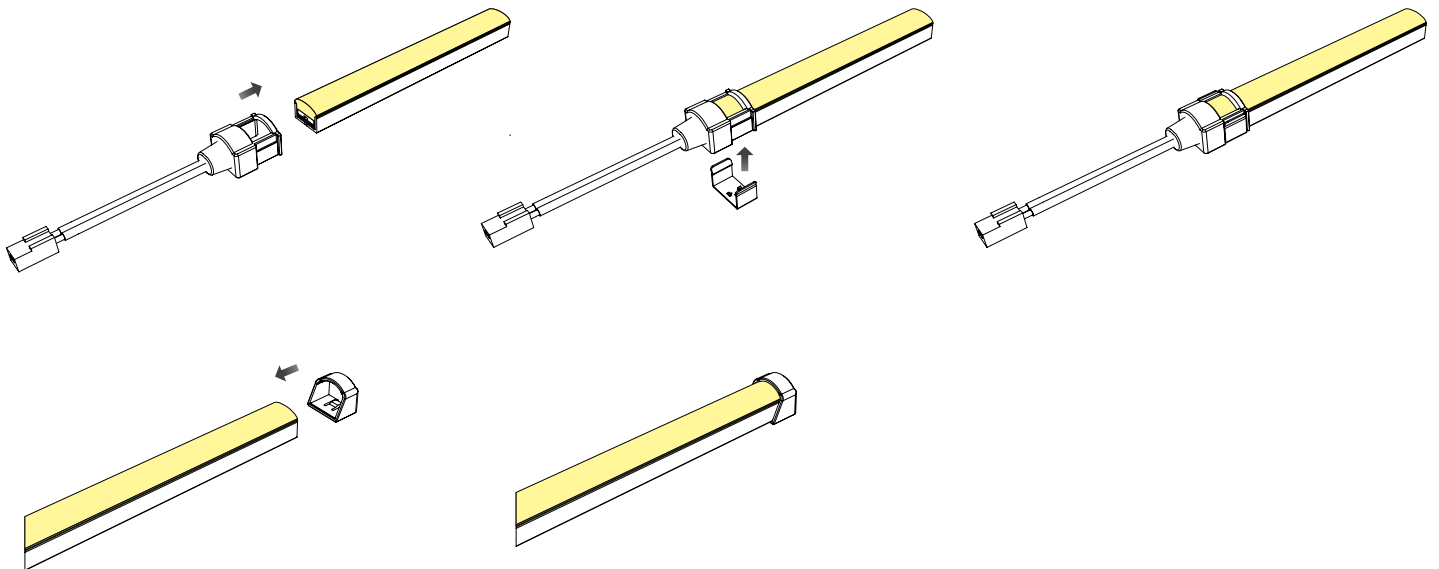
FN2-INCP
- Indoor Direct Connector

* Expanded View

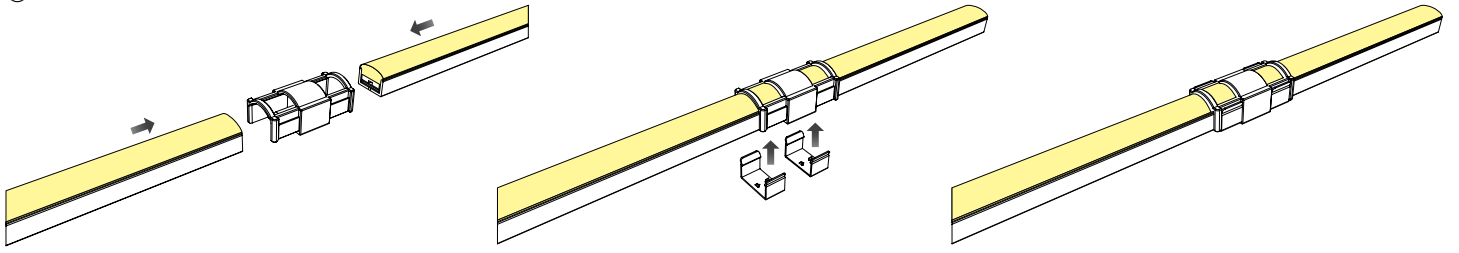


* Installation Method

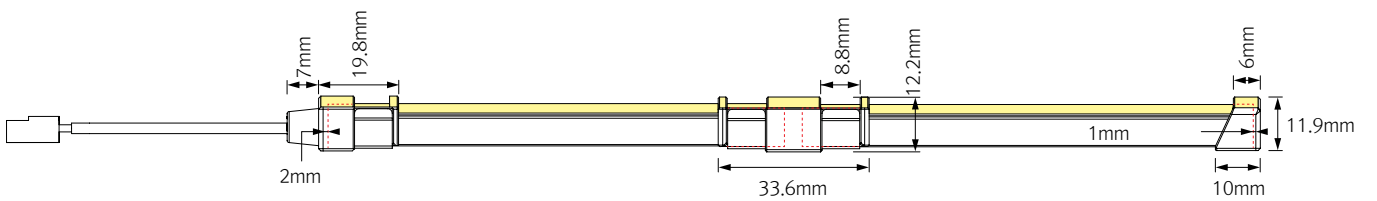
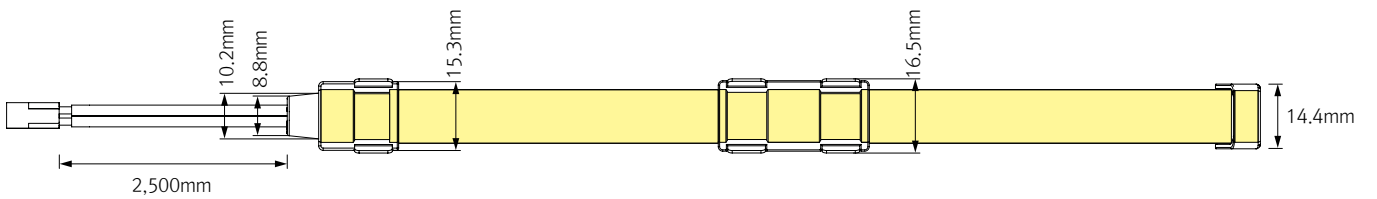
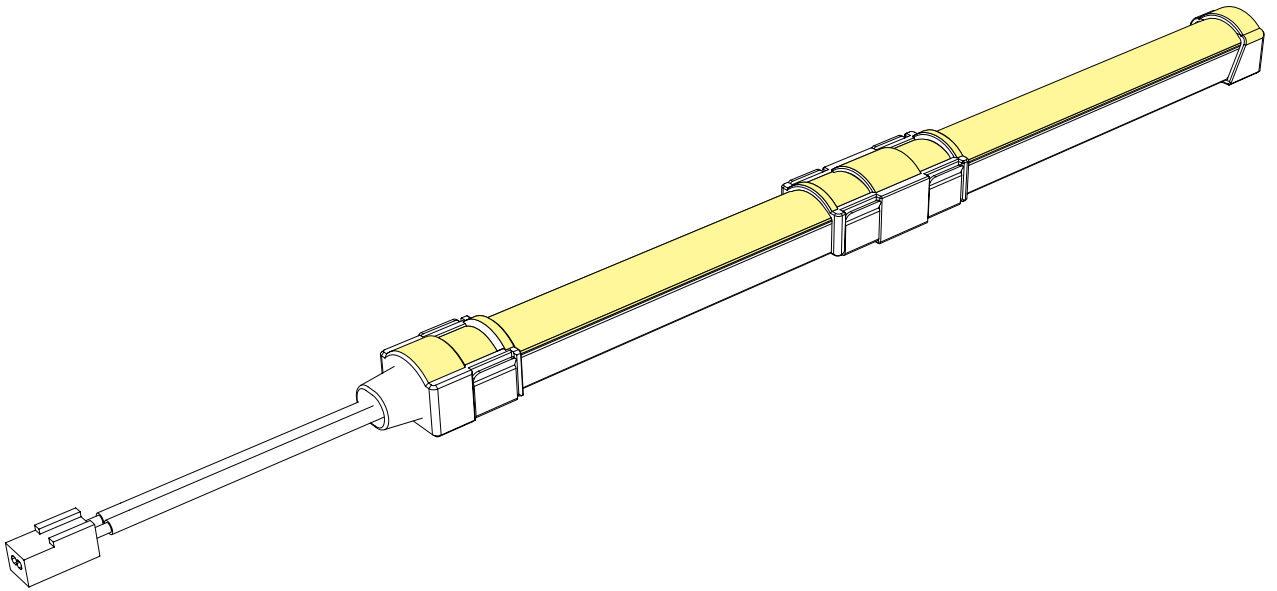
① FN2-INPC



② FN2-INCPL

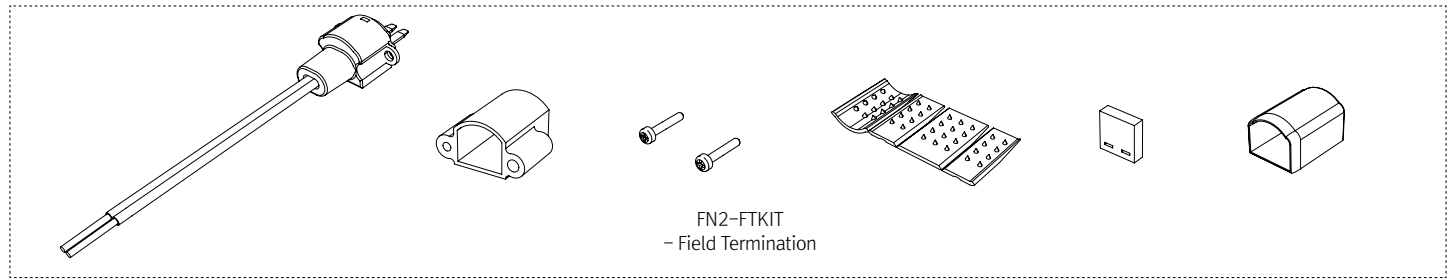


* Finished View

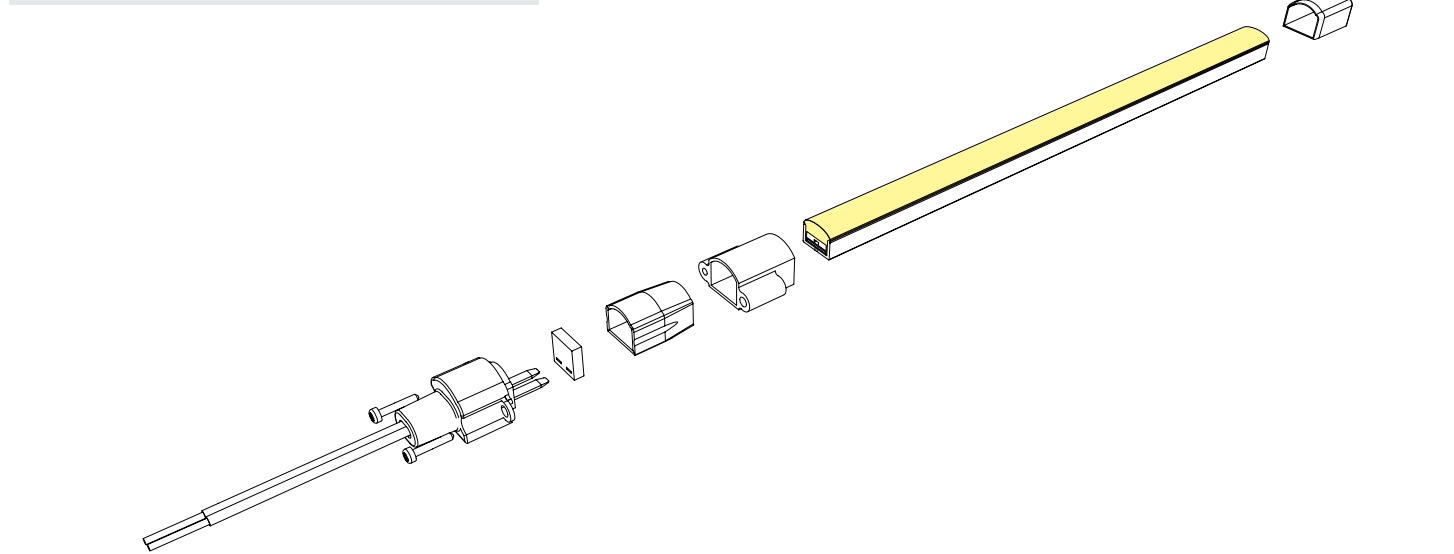


INSTALLATION – Field Termination (IP65)

* Components

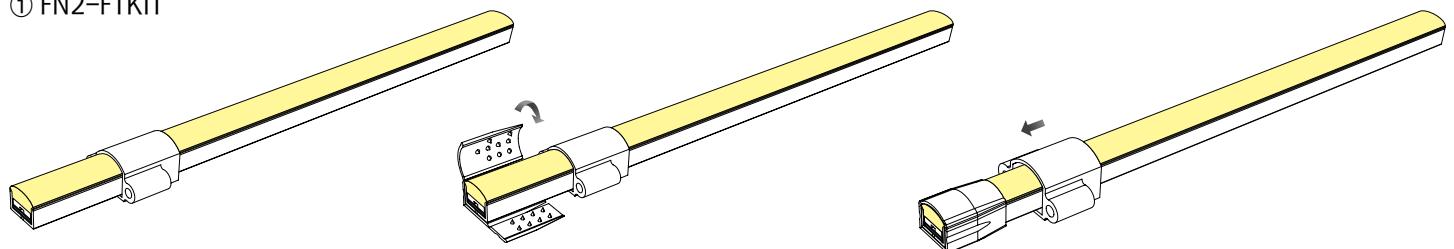


* Expanded View

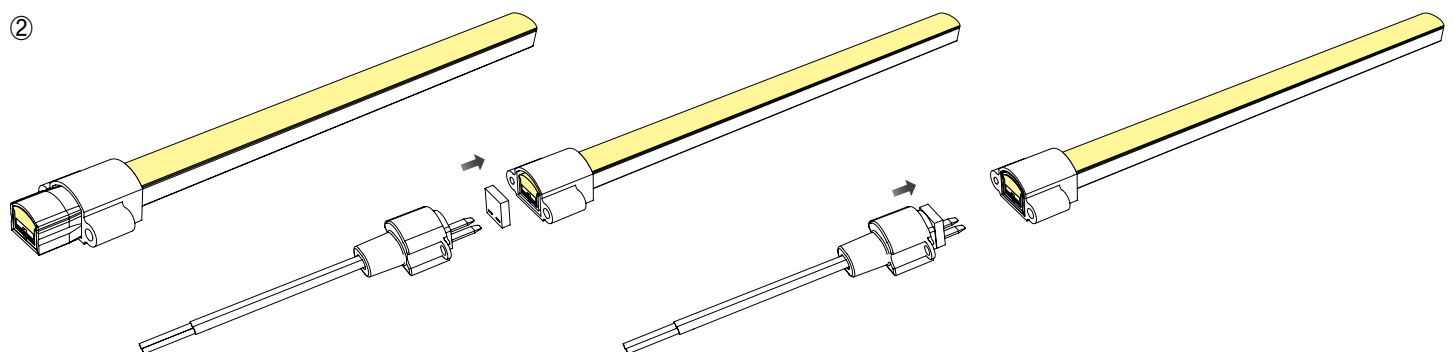


* Installation Method

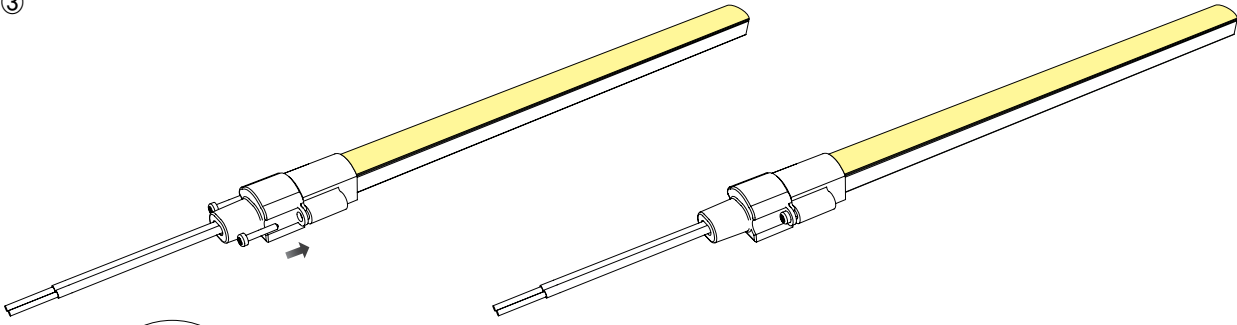
① FN2-FTKIT



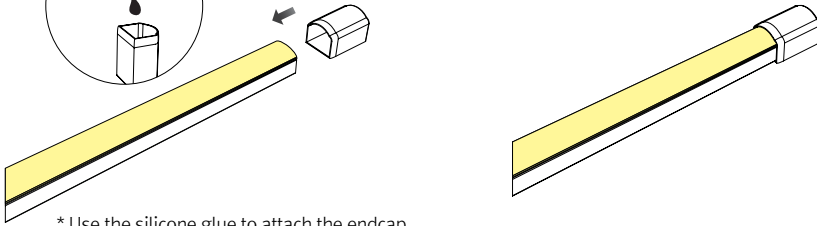
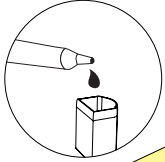
②



③



④



* Use the silicone glue to attach the endcap

* Finished View

