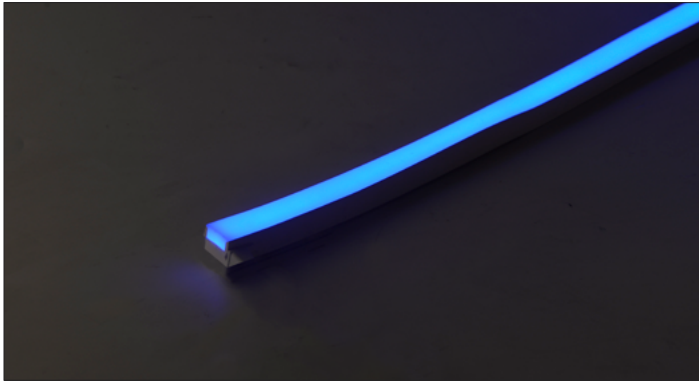


PRODUCT IMAGE



PRODUCT FEATURES

- IP67
- 5050 4-in-1 LED
- 24V DC, 18.7W/M(0.5W/Inch)
- Dimension: 22×12mm
- Side View: Bend direction horizontally
- Dot-free illumination
- Elegant appearance
- Color Changeable & Brightness Tunable
- Indoor and outdoor application
- Silicone material, UV-resistant

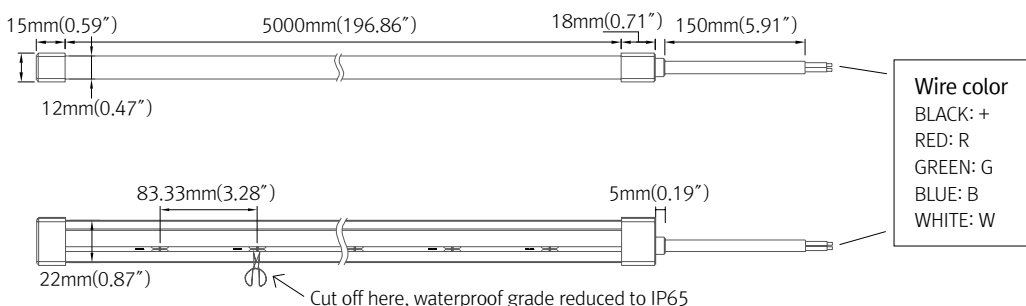
PRODUCT SPECIFICATIONS

LED Chip	5050 RGBW
IP	67
Maximum length	5M
Power Input	24V DC
Watt per meter	18.7W/M
LED Q'ty per meter	72LED/M
Dimension	22×12mm
Cutable	83.33mm(3.28")
Minimum bend Diameter	83.33mm(3.28")
Material	Silicone
Operating Temperature Ranges	-20°C to 45°C
Beam Angle	110°

SPECIFICATIONS TABLE

Model Number	CCT		Lumen/W	Luminous Flux (lm/m)	Rated Watt (w/m)	Max.Length (m)	Min.Length (mm)	Rated Current (A/M)
FN1 RGBW	Red	634 nm	> 5.94 lm/W	28 lm/m	4.73 W/m	5	83.33	0.78
	Green	517 nm	> 14.8 lm/W	71 lm/m	4.79 W/m			
	Blue	463 nm	> 4.48 lm/W	20 lm/m	4.48 W/m			
	W	N/A	> 18.31 lm/W	88 lm/m	4.82 W/m			
	R+G+B+W (W)	N/A	> 10.28 lm/W	192 lm/m	18.7 W/m			

DIMENSIONS



COMPONENTS



FLXible Neon 1 RGBW

- _FN1-RGBW-24V-C90-5m
- _FN1-RGBW-24V-C90-4m
- _FN1-RGBW-24V-C90-3m
- _FN1-RGBW-24V-C90-2m
- _FN1-RGBW-24V-C90-1m



Mounting Brackets

- _FN1-RGBW-BRACKET1



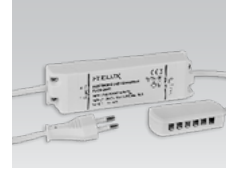
FN1 Extrusion Line

- _FN1-RGBW-EXL (1,000mm)



12 Port Hub

- _12 Way distributor
- Included with Cord and Plug drivers. Order separately for 3rd Party Drivers



LED Drivers

- _FLC30-24V/T (30W)
- _FLC75-24V/T (75W)
- with distributor and power cord (1,800mm)



LED Driver

- _FLC200-24V/T (200W)
- with 12way distributor



Dimming Interface

- _FDA-L5M (DMX512)
- Max. 200W (50W/CH, 5CH)