

% Normal Resistive Dimming

Resistive Dimming

DIMSLIM FDA-P1H



The new 'FDA-P1H' Dimming Interface is the new revolutionary pack from Mr Reistor which allows the Feelux Dimslim, Feeled Slimline and Dimline fittings to be dimmed on a normal resistive dimmer.

- Dims Feelux Dimline and Dimslim Products with normal resistive dimming
- Environmentally friendly, saves energy and money.
- Interface is designed to be small enough to fit through the hole of a downlight.
- Can be used with existing conventional wiring if permanent live is present.

Resistive Dimmer Interface

The Resistive Dimmer Interface is used to dim our range of Dimslim and Dimline products from a normal (resistive) dimmer.

When using the Resistive Dimmer Interface, you do not require any other interfaces to dim your Dimslim / Dimline fluorescents.

| | |
|---------------------|-----------------|
| Product Code | DIMSLIM FDA-P1H |
| Construction | Plastic |
| Length | 200mm |
| Width | 48mm |
| Depth | 35mm |
| Voltage | 240V |
| Channels | 1 |
| Max Wattage | 400W |
| Max no. of Fittings | 1 x 10 DimLine1 |

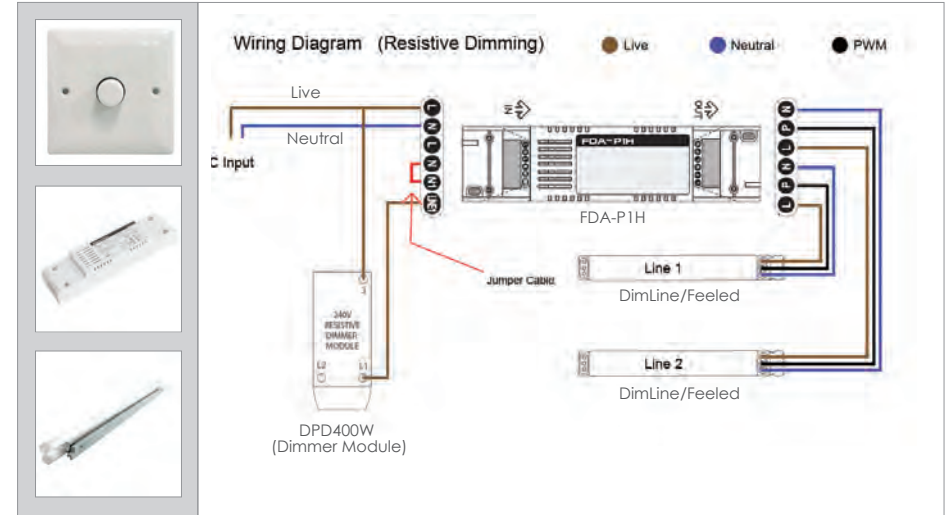


a

Dimming - Wired

Dimming DimLine with TCS1 - Simple Wired Dimming.

The TCS1 is a single circuit wired dimmer. It has 14 different brightness levels plus an on/off button. Simply press one of the 14 buttons to select a different light level.



What do i need?

| Name | DIMMER MODULE | FITTING | Resistive Dimmer Interface | COUPLER | POWER CORD |
|----------|---------------|--|----------------------------|---|------------|
| Part No. | - | DSLL14 DSLL21 DSLL28 DSLL24 DSLL35 DSLL39 DSLL54 LSLL10 LSLL20 | DIMSLIM FDA-P1H | DSLLPTC DSLLPTC1 DSLLPTC2 DSLLPTC4 DSLLPTC6 | DSLLGPC230 |
| Quantity | 1 | 1-20 | 1 | 1-18 | 1-2 |

Lutron Resistive Dimming

Resistive Dimming

DIMSLIM FDA-P1H



The new 'FDA-P1H' Dimming Interface is the new revolutionary pack from Mr Reistor which allows the Feelux Dimslim, Feeled Slimline and Dimline fittings to be dimmed on a Lutron Grafk Eye.

- Is compatible with Lutron products including the Grafk Eye plus a variety of other lighting systems available.
- Environmentally friendly, saves energy and money.
- Interface is designed to be small enough to fit through the hole of a downlight.
- Can be used with existing conventional wiring if permanent live is present.

Resistive Dimmer Interface

The Resistive Dimmer Interface is used to dim our range of dimslim and dimline products from a normal (resistive) dimmer.

When using the Resistive Dimmer Interface, you do not require any other interfaces to dim your Dimslim / Dimline fluorescents.

| | |
|---------------------|-----------------|
| Product Code | DIMSLIM FDA-P1H |
| Construction | Plastic |
| Length | 200mm |
| Width | 48mm |
| Depth | 35mm |
| Voltage | 240V |
| Channels | 1 |
| Max Wattage | 400W |
| Max no. of Fittings | 1 x 10 DimLine |

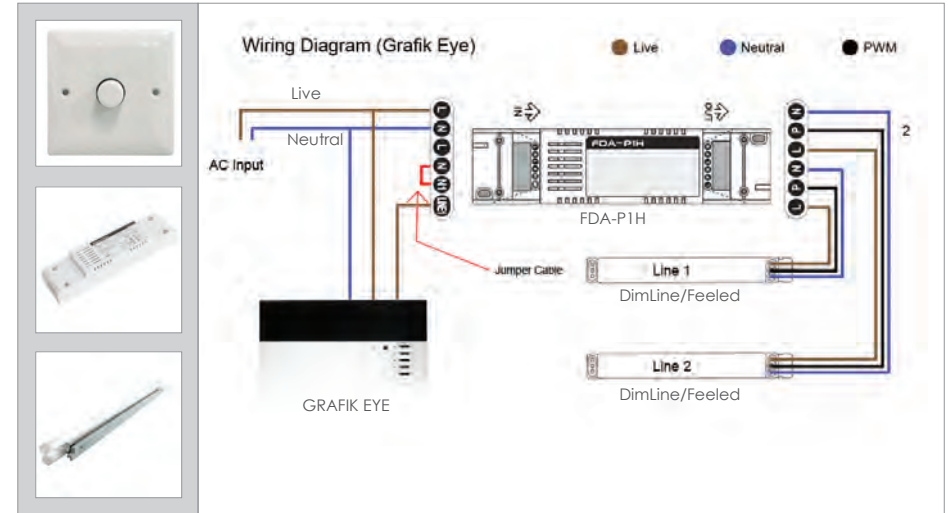


b

Dimming - Wired

Dimming DimLine with TCS1 - Simple Wired Dimming.

The TCS1 is a single circuit wired dimmer. It has 14 different brightness levels plus an on/off button. Simply press one of the 14 buttons to select a different light level.



What do i need?

| Name | LUTRON GRAFIK INTEGRALE | FITTING | Resistive Dimmer Interface | COUPLER | POWER CORD |
|----------|-------------------------|--|----------------------------|---|------------|
| Part No. | GX13104TCE | DSLL14 DSLL21 DSLL28 DSLL24 DSLL35 DSLL39 DSLL54 LSLL10 LSLL20 | DIMSLIM FDA-P1H | DSLLPTC DSLLPTC1 DSLLPTC2 DSLLPTC4 DSLLPTC6 | DSLLGPC230 |
| Quantity | 1 | 1-20 | 1 | 1-18 | 1-2 |