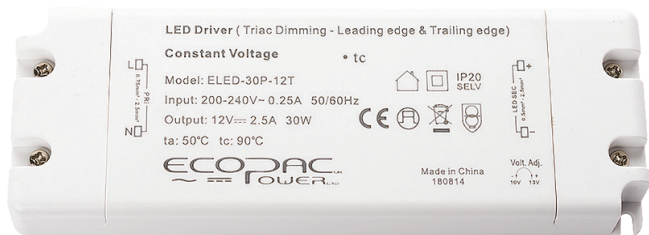


## Features:



- Constant voltage/ PWM Output
- Leading & Trailing edge dimmable
- AC input: 200-240VAC
- Built-in active PFC function
- Efficiency up to 79%
- Protections: Short circuit/ Over loading/ Over current/ Over temperature
- Full protection plastic housing easy installation
- Cooling by free air convection
- Suitable for LED lighting and moving signs



## Models

	ELED-30P-12T	ELED-30P-24T
<b>Output Specifications</b>		
Output Voltage	12V	24V
Voltage Tolerance	±0.5V	
Output Current	2.5A	1.25A
Rated Power	30W	
<b>Input Specifications</b>		
Input Voltage	200-240VAC	
Frequency Range	47-63Hz	
Inrush Current	30A (Twidth=90µs 230VAC)	
Full Load Efficiency (Typ.)	79%	
AC Current (Max.)	0.22A	
Leakage Current	<0.50mA	
Power Factor	PF>0.97/200VAC PF>0.97/230VAC PF>0.97/240VAC (Full Loading)	
<b>Protection</b>		
Short Circuit	Shut down o/p voltage, re-power on to recover after fault condition is removed	
Over Loading	≤120%, shut down o/p voltage, re-power on to recover	
Over Current	≤1.2 *I out	
Over Temperature	100°C± 10°C shut down o/p voltage, re-power on to recover	
<b>Environment</b>		
Working Temperature	-40~+70°C (Refer to derating curve)	
Working Humidity	20-90% RH, non-condensing	
Storage Temperature, Humidity	-40~+80°C, 10-95% RH	

## Environment

Temperature Coefficient	±0.03%/°C (0-50°C)
Vibration	10-500Hz, 2G 10min./ 1 cycle, period for 72min.each along X, Y, Z axes

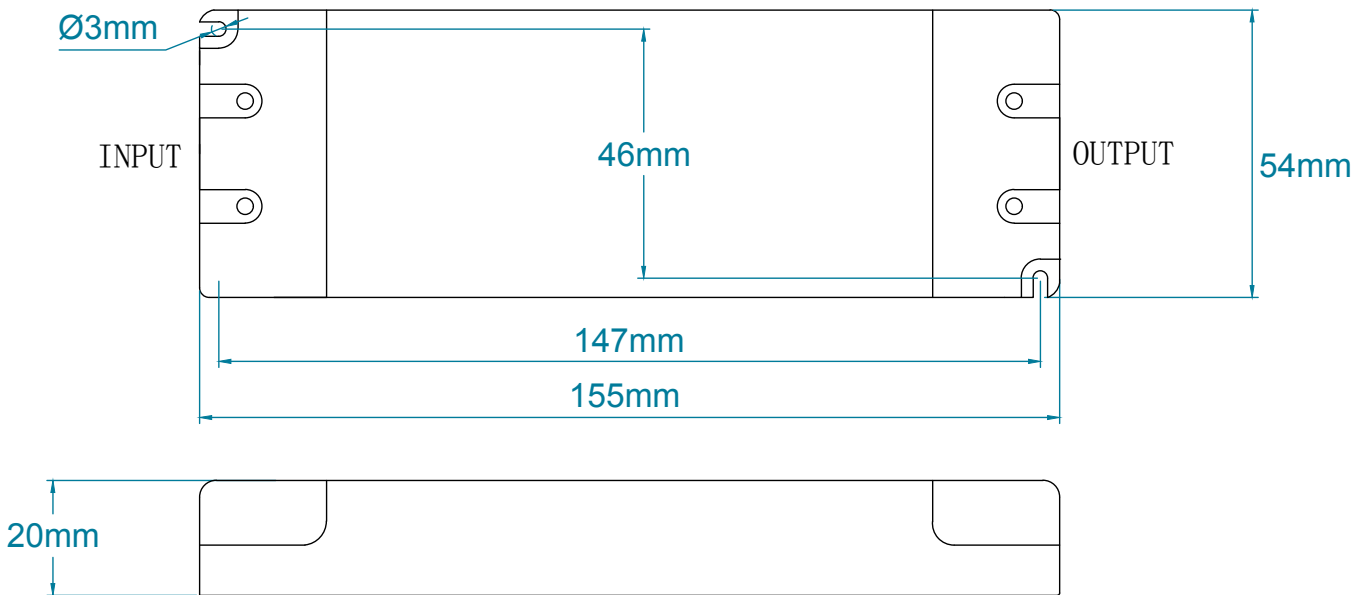
## Safety & EMC

Safety standards	EN61347-1, EN61347-2-13
Withstand Voltage	I/P-O/P: 3.75KVAC
Isolation Resistance	I/P-O/P:100MΩ/500VDC/25°C/70%RH
EMC Emission	Compliance to EN55015, EN61000-3-2,3 (>60%load)

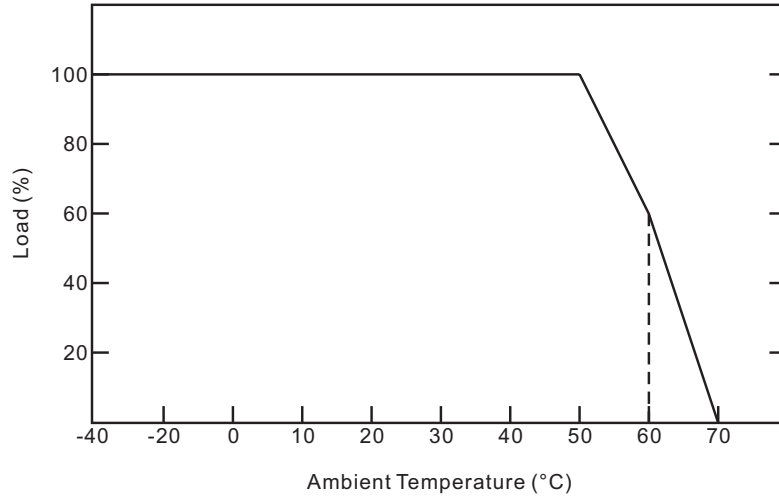
## Other Specifications

Weight	0.21 Kg
Size	155 x 54 x 20 mm
Packing	160 x 60 x 23 mm (inner box), 350 x 240 x 130 mm (40PCS/CTN)

## Mechanical Specifications

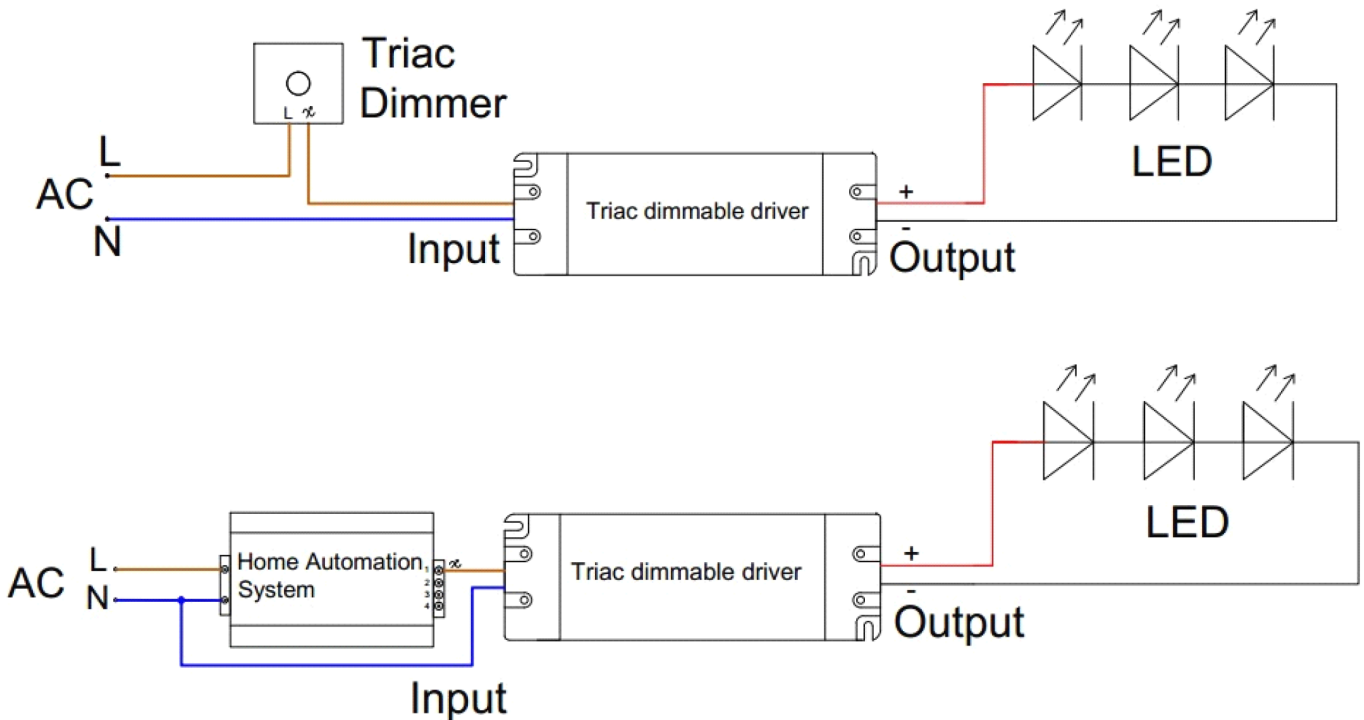


## Derating Curve



## Connecting Diagram

### Single Driver Connecting Diagram



## Connecting Diagram

### Multiple Drivers Connecting Diagram

