

ELED-10-C100/450DP2

10W DALI2 and Push Dimming Multiple-Stage Output Current LED Driver

Features:

- Constant Current mode output with multiple levels selectable by dip switch
- DALI 2 dimming function (IEC62386)
- AC input: 100-277VAC
- Built-in active PFC function
- Efficiency up to 79%
- Protections: Short circuit/ Over load/ Over temperature
- Cooling by free air convection
- Suitable for intelligent LED lighting



Models

ELED-10-C100/450DP2

Output Specifications

	450mA	400mA	350mA	300mA	250mA	200mA	150mA	100mA
Rated Current	TTT	LTT	TLT	LLT	TTL	LTLL	TLLL	LLLL
Current Tolerance	± 25mA							
Output Voltage	3-22V	3-25V	3-29V	3-33V	3-40V	3-42V	3-42V	3-42V
Rated power	10W	10W	10W	10W	10W	8.4W	6.3W	4.2W

Input Specifications

Voltage Range	100-277VAC							
Frequency Range	47-63Hz							
Inrush Current	5.68A (Twidth=7.2μs 230VAC)							
Power Factor (Typ.)	0.95	0.95	0.95	0.95	0.95	0.95	0.95	0.95
Full Load Efficiency (Typ.)	79%	79%	79%	79%	79%	79%	79%	79%
AC Current (Typ.)	0.15A							
Leakage Current	<0.50mA/220VAC							

Protection

Short Circuit	Constant Current mode, recovers automatically after fault condition is removed
Over Load	≤120%
Over Current	≤1.4*I _{out}
Protection Class	II

Environment

Working Temperature	-40~+60°C (Refer to derating curve)
Working Humidity	20-90% RH, non-condensing
Storage Temperature, Humidity	-40~+80°C, 10-95% RH

ELED-10-C100/450DP2

10W DALI2 and Push Dimming Multiple-Stage Output Current LED Driver

Environment

Temperature Coefficient	$\pm 0.03\%/^{\circ}\text{C}$ (0-50°C)
Vibration	10-500Hz, 2G 12min./ 1 cycle, period for 60min.each along X, Y, Z axes

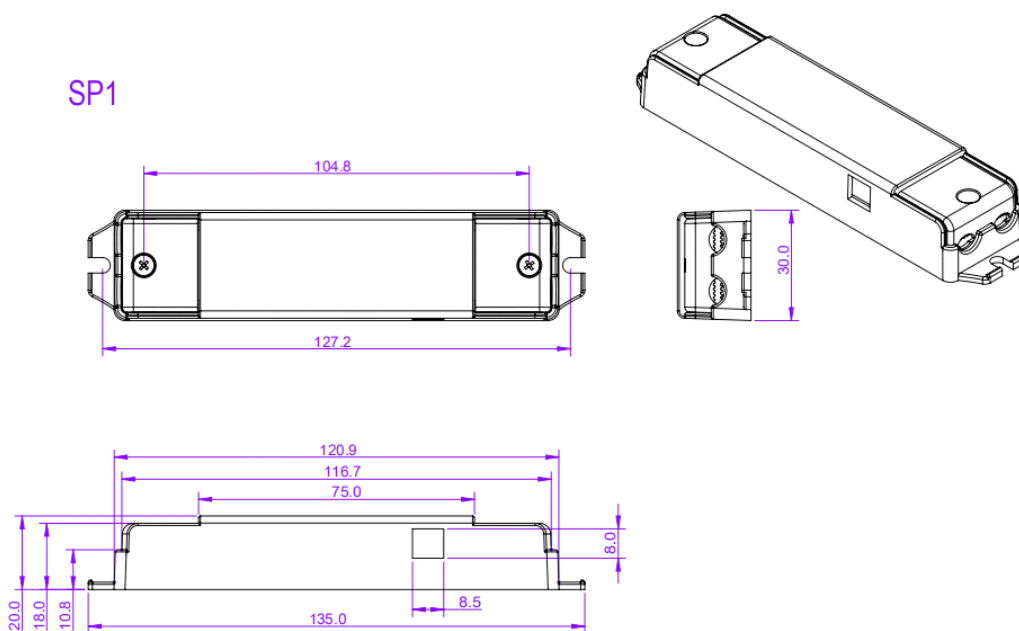
Safety & EMC

Safety standards	EN61347-1, EN61347-2-13, UL8750
Withstand voltage	I/P-O/P:3.75KVAC
Isolation resistance	I/P-O/P:100M Ω /500VDC/25°C/70%RH
EMC Emission	Compliance to EN55015, EN61000-3-2,3 ($\geq 50\%$ load), FCC Part 15B
EMC Immunity	Compliance to EN61000-4-2,3,4,5,6,11, EN61547, A light industry level (surge 4KV)

Other Specifications

Weight	0.12 kg
Size	135 x 30x 20 mm
Packing	320 x 280 x 215 mm (50PCS/CTN)

Mechanical Specifications



※Input with DG126 terminals 3P: Live Wire AC (L), Neutral Wire AC(N)

※Output LED SEC with DG126 terminals 2P: output Positive (LED+), output negative (LED-). Connected to LED Lamps.

※DALI or PUSH Dim. terminals with DG126 terminals 2P:

when DALI dimming, signal dimming DA1, DA2 (No polar) connected to the BUS of the DALI Master;

when PUSH dimming, (N) is connected to AC (N) while white (L) is connected to Push dim switch dimmer(L) ;

※Suggested wire diameter: Input 0.75-2mm²; Output:0.5-2mm².

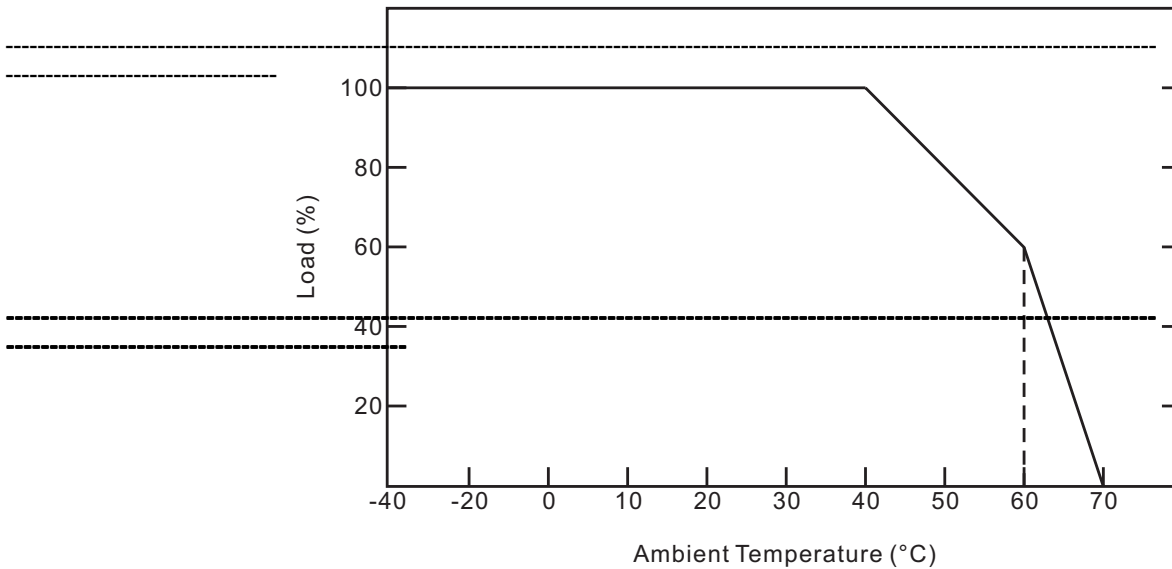
※Please make sure you connect these correctly otherwise your product will not function correctly and could be damaged.

※Note: Any other requests we can customized.

ELED-10-C100/450DP2

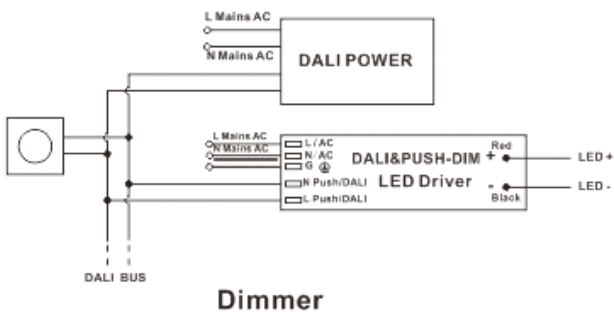
10W DALI2 and Push Dimming Multiple-Stage Output Current LED Driver

Derating Curve

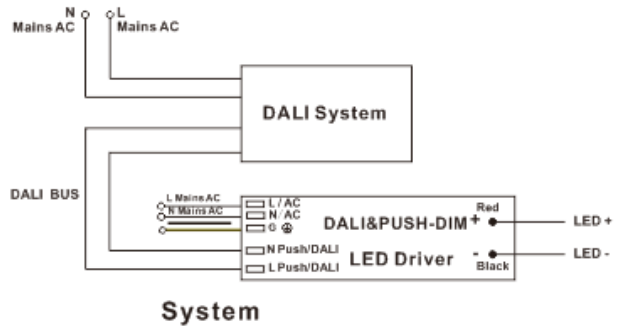


Dimming Operation

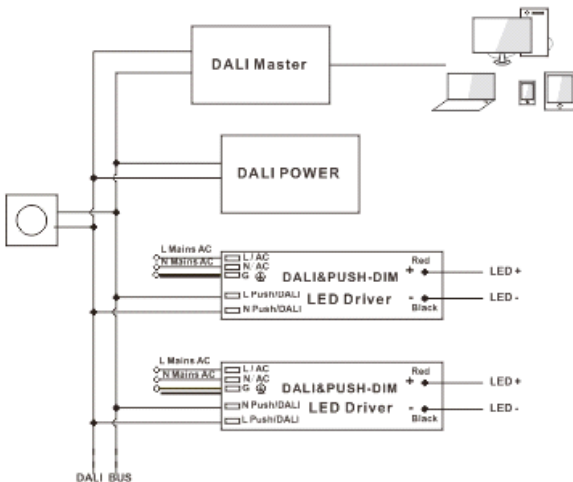
DALI Dimming Wiring Diagram1



DALI Dimming Wiring Diagram2

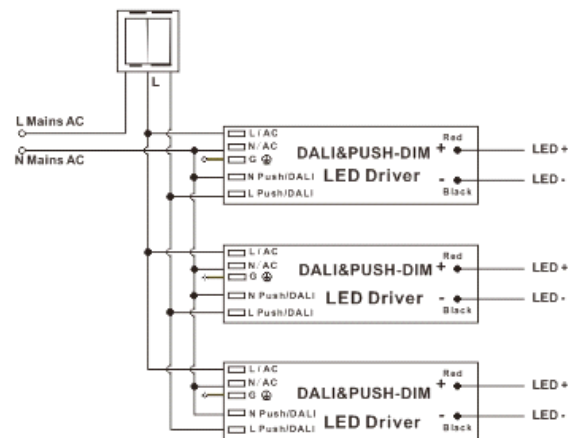


DALI Dimming Wiring Diagram3



PC+DALI Master+DIMMER

Push-Dimming Wiring Diagram 1



Dimmer (with ON/OFF function)